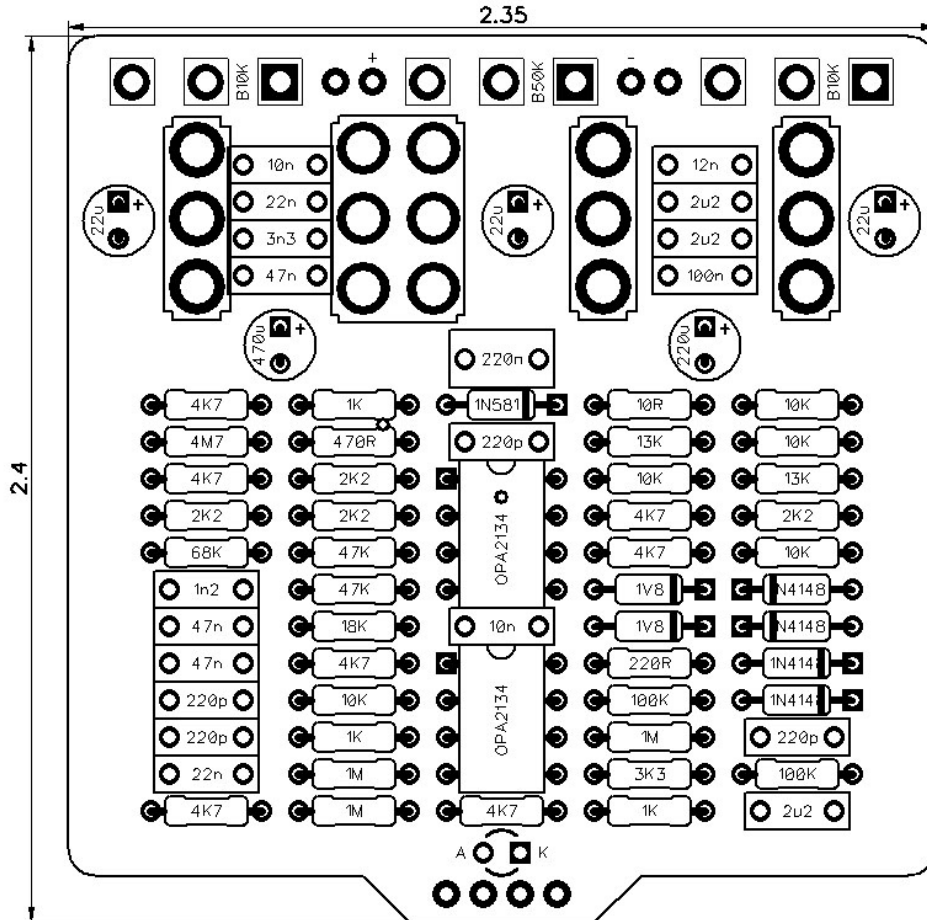


PedalPCB

Derailer Overdrive V2

Revision 01.27.20



Introduction

The Derailer Overdrive was inspired by a pedal emulation of the Trainwreck™ Express amplifier.

Controls

- **Gain** – Controls the input gain
- **Hi Cut** – Controls post OD high frequency cut
- **Vol** – Controls the overall output volume

- **Bright** (Toggle switch) – Controls the pre OD high frequency boost (Bright / Flat / Dark)
- **Voice** (Toggle switch) – Toggles between two distinct voices (Vintage / Modern)
- **Presence** (Toggle switch) – Controls the post OD high frequency boost (Bright / Flat / Dark)
- **Cab** (Toggle switch) – Controls the pre OD high frequency boost (4x12", Flat, 2x12")

All trademarks and registered trademarks are the property of their respective owners. The company, product, and service names used in this web site are for identification purposes only. Use of these names, logos, and brands does not imply endorsement.

RESISTORS (1/4W)

R1	1M
R2	10R
R3	1M
R4	1K
R5	4K7
R6	4K7
R7	10K
R8	10K
R9	10K
R10	3K3
R11	100K
R12	1M
R13	100K
R14	220R
R15	13K
R16	10K
R17	10K
R18	13K
R19	4K7
R20	18K
R21	47K
R22	47K
R23	68K
R24	4K7
R25	4M7
R26	2K2
R27	4K7
R28	2K2
R29	2K2
R30	470R
R31	1K
R32	4K7
R33	2K2
R34	4K7
R35	1K

CAPACITORS

C1	22n
C2	220u
C3	220p
C4	22u
C5	220p
C6	470u
C7	3n3
C8	22n
C9	10n
C10	47n
C11	220p
C12	2u2 MLCC
C13	2u2 MLCC
C14	2u2 MLCC
C15	10n
C16	1n2
C17	47n
C18	47n
C19	220n
C20	100n
C21	12n
C22	22u
C23	220p
C24	22u

POTENTIOMETERS

VOL	B10K
GAIN	B10K
HICUT	B50K

SWITCHES

SW1	SPDT Toggle (ON/OFF/ON)
SW2	DPDT Toggle (ON/ON)
SW3	SPDT Toggle (ON/OFF/ON)
SW4	SPDT Toggle (ON/OFF/ON)

INTEGRATED CIRCUITS

IC1	OPA2134
IC2	OPA2134

DIODES

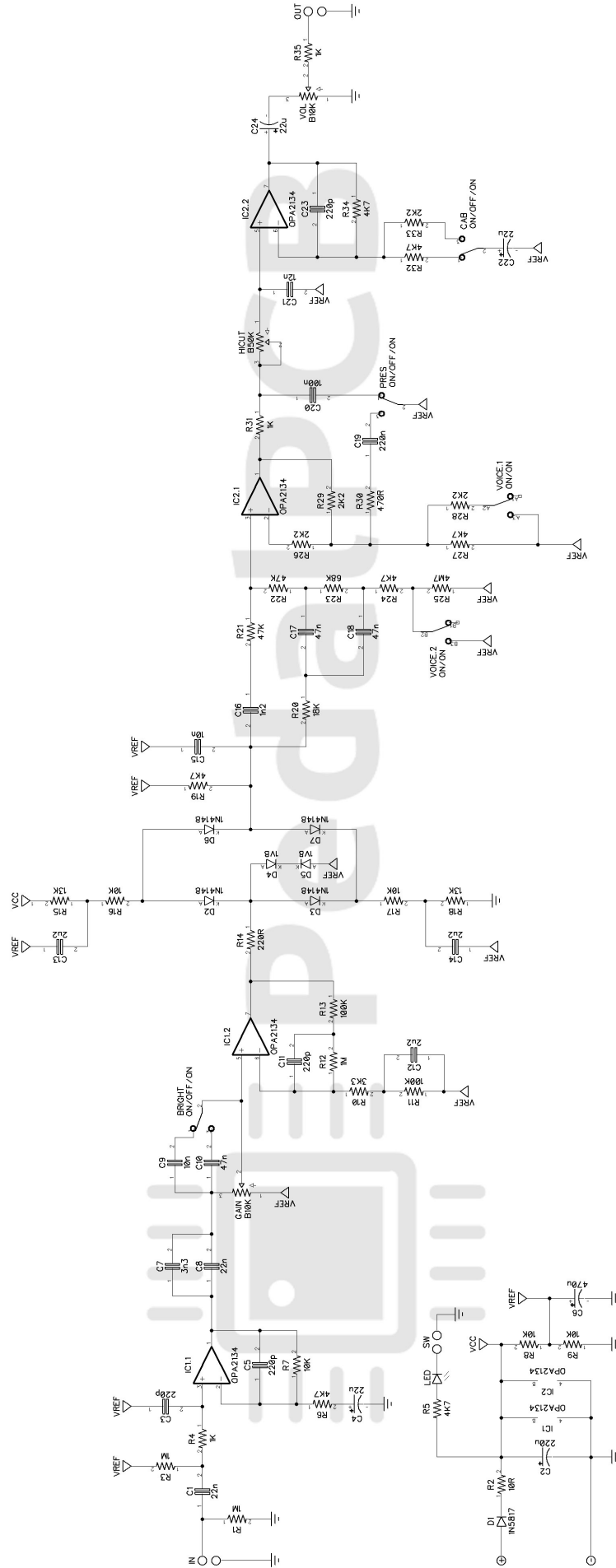
D1	1N5817
D2	1N4148
D3	1N4148
D4	1N4678
D5	1N4678
D6	1N4148
D7	1N4148

1N4678 1.8V Zener Diode

<https://www.pedalpcb.com/product/1n4678/>

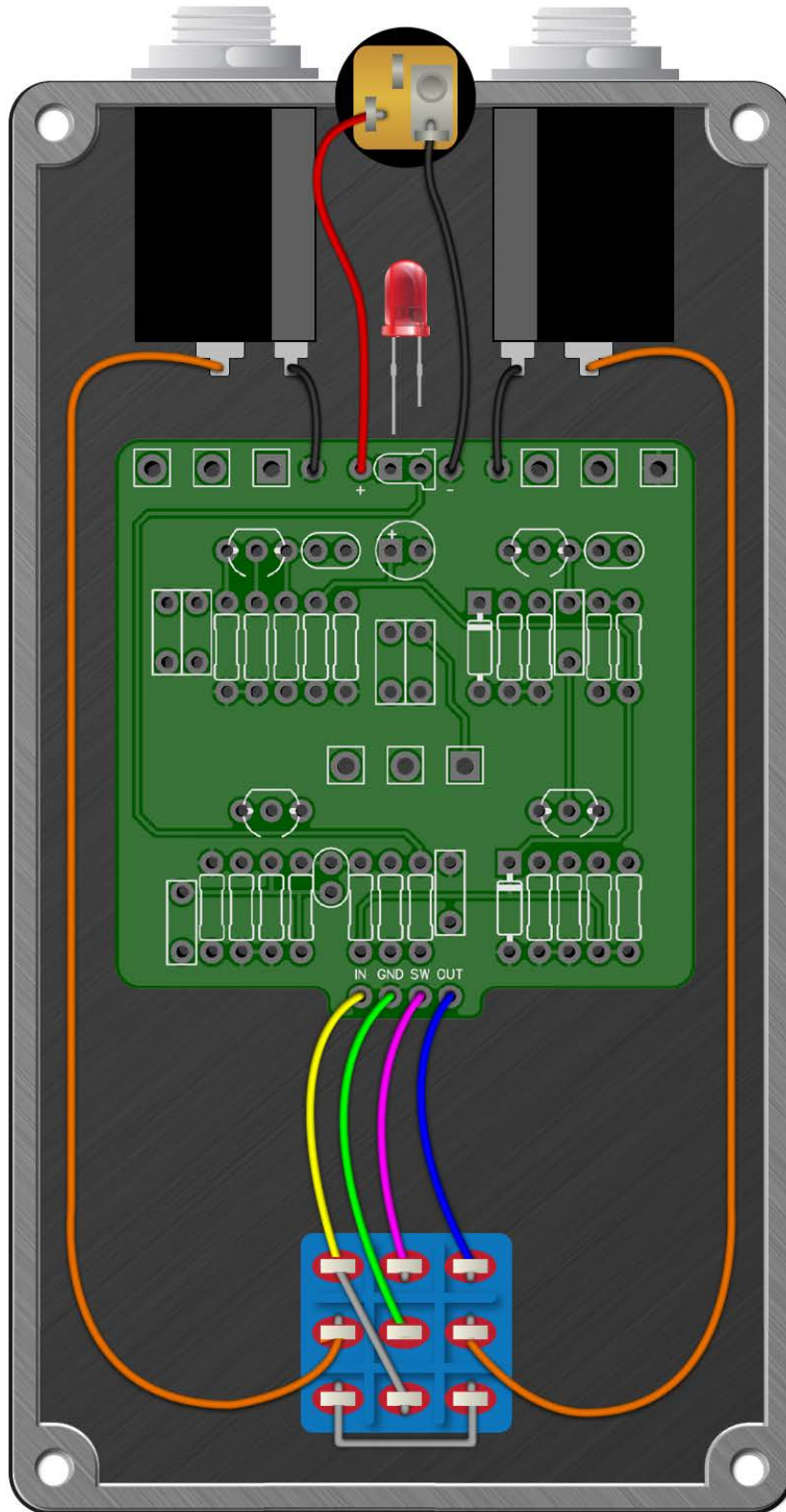


Derailer Overdrive



Derailer Overdrive

Wiring Diagram



Derailer Overdrive

Drill Template
125B enclosure with top mounted jacks

