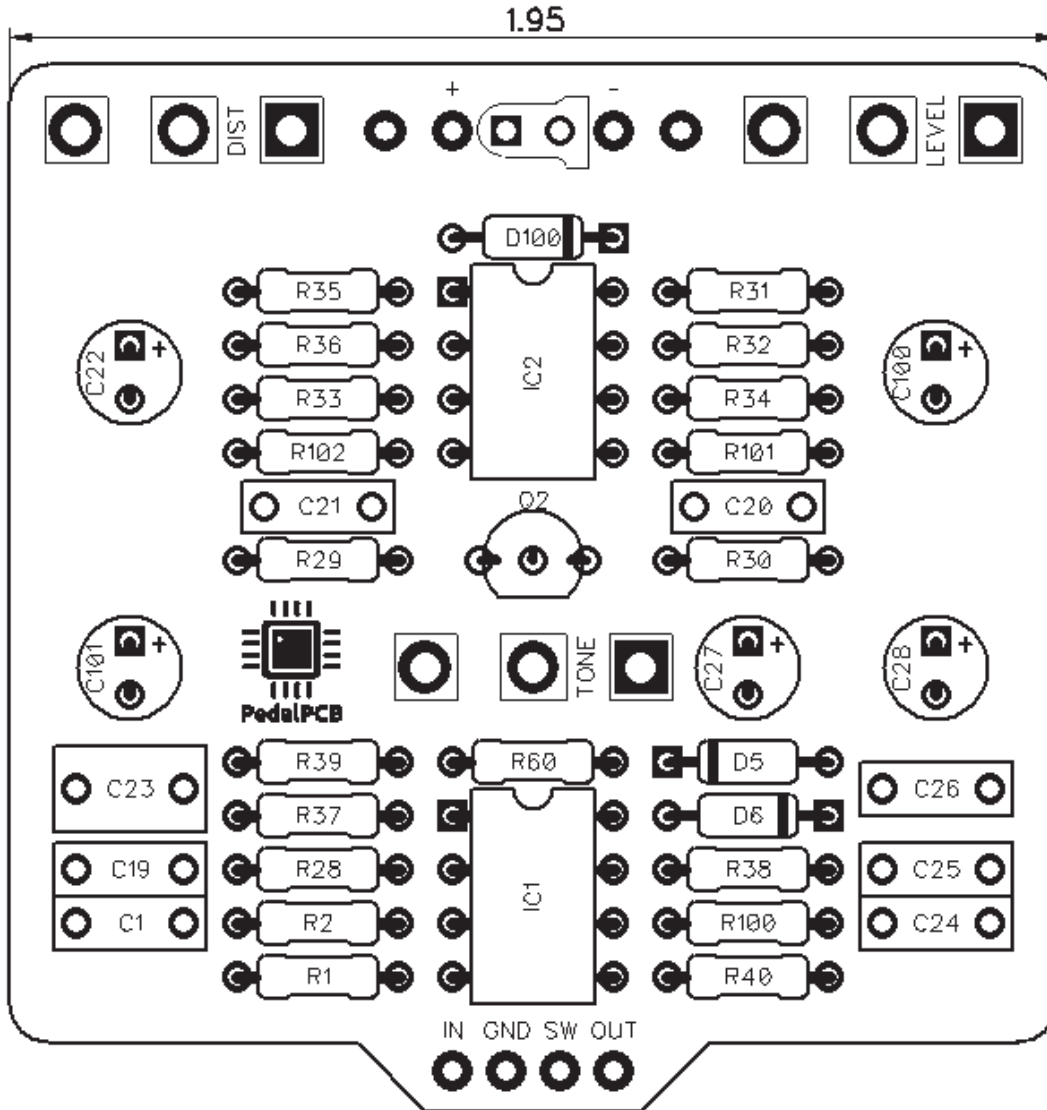




PedalPCB

Defouler Distortion

Revision 12.16.18



Controls

- Volume
- Tone
- Distortion

All trademarks and registered trademarks are the property of their respective owners. The company, product, and service names used in this web site are for identification purposes only. Use of these names, logos, and brands does not imply endorsement.

Defouler Distortion

Parts List

RESISTORS (1/4W)

R1 10K
R2 1M
R28 10K
R29 22R
R30 100K
R31 10K
R32 470K
R33 68K
R34 100K
R35 1K
R36 4K7
R37 2K2
R38 6K8
R39 6K8
R40 470K
R60 2K2
R100 4K7
R101 10K
R102 10K

CAPACITORS

C1 22n
C19 47n
C20 47p
C21 100n
C22 1u
C23 470n
C24 10n
C25 22n
C26 100n
C27 1u
C28 10u
C100 100u
C101 47u

INTEGRATED CIRCUITS

IC1 TL072
IC2 TL072

TRANSISTORS

Q2 2SC732

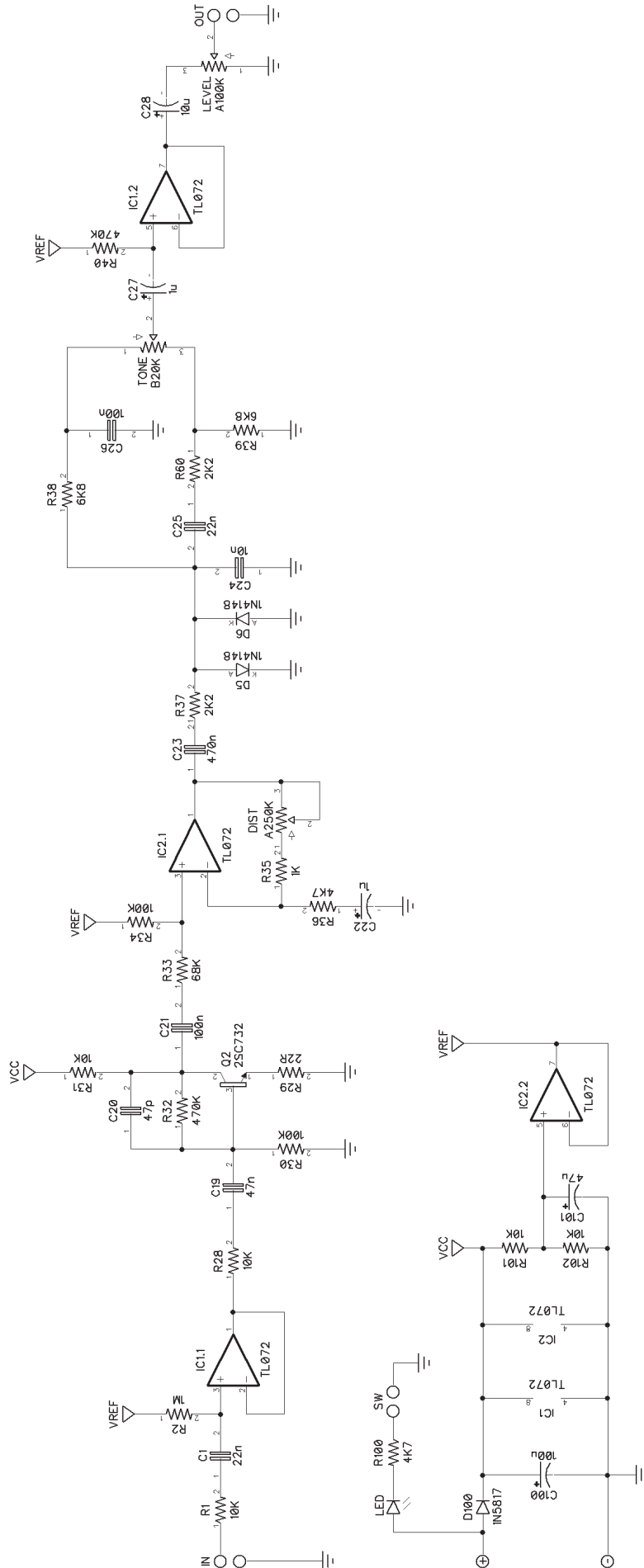
DIODES

D5 1N4148
D6 1N4148
D100 1N5817

POTENTIOMETERS

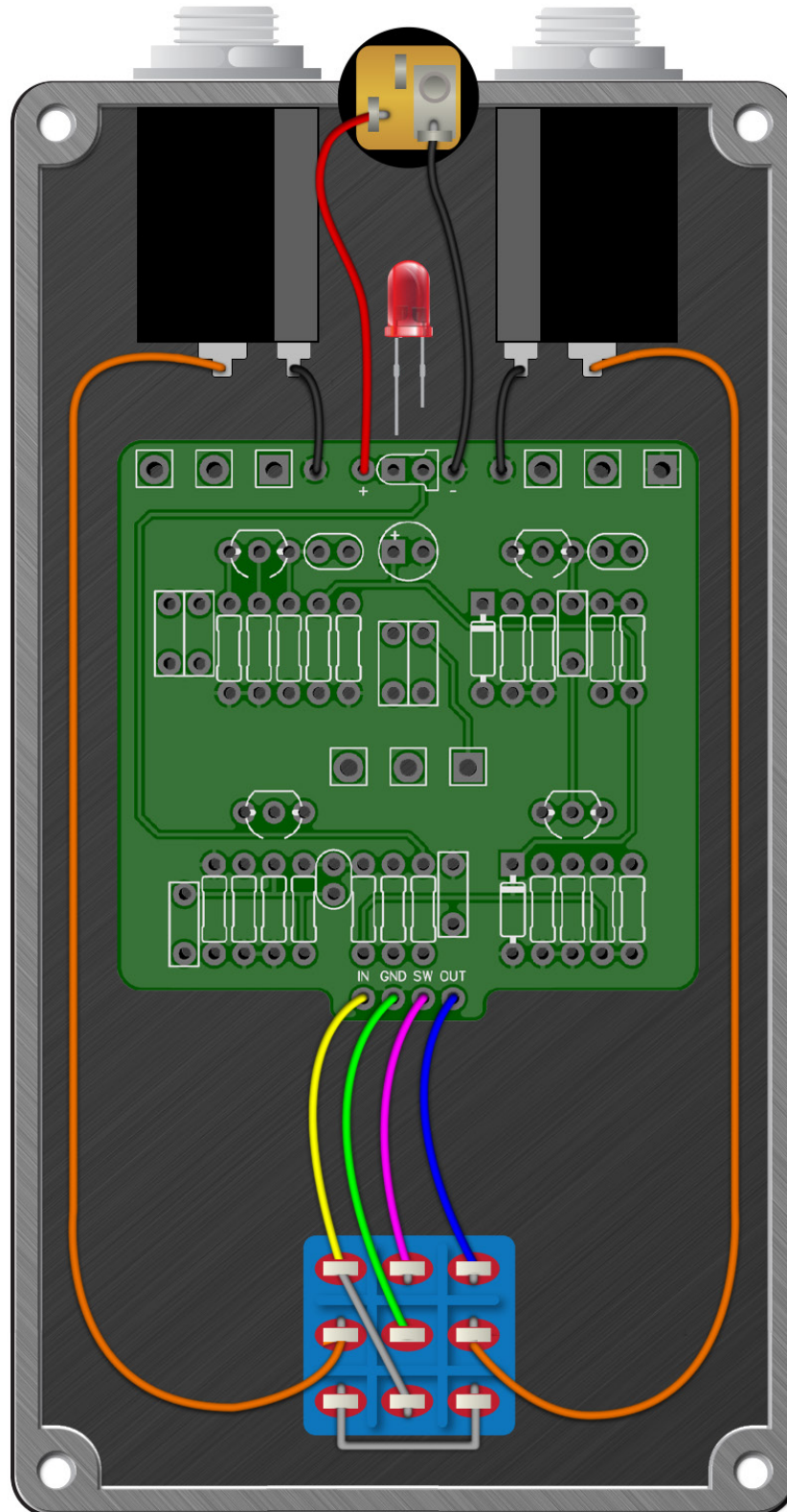
LEVEL A100K
TONE B20K
DIST A250K

Defouler Distortion



Defouler Distortion

Wiring Diagram



Defouler Distortion

Drill Template
125B enclosure with top mounted jacks

