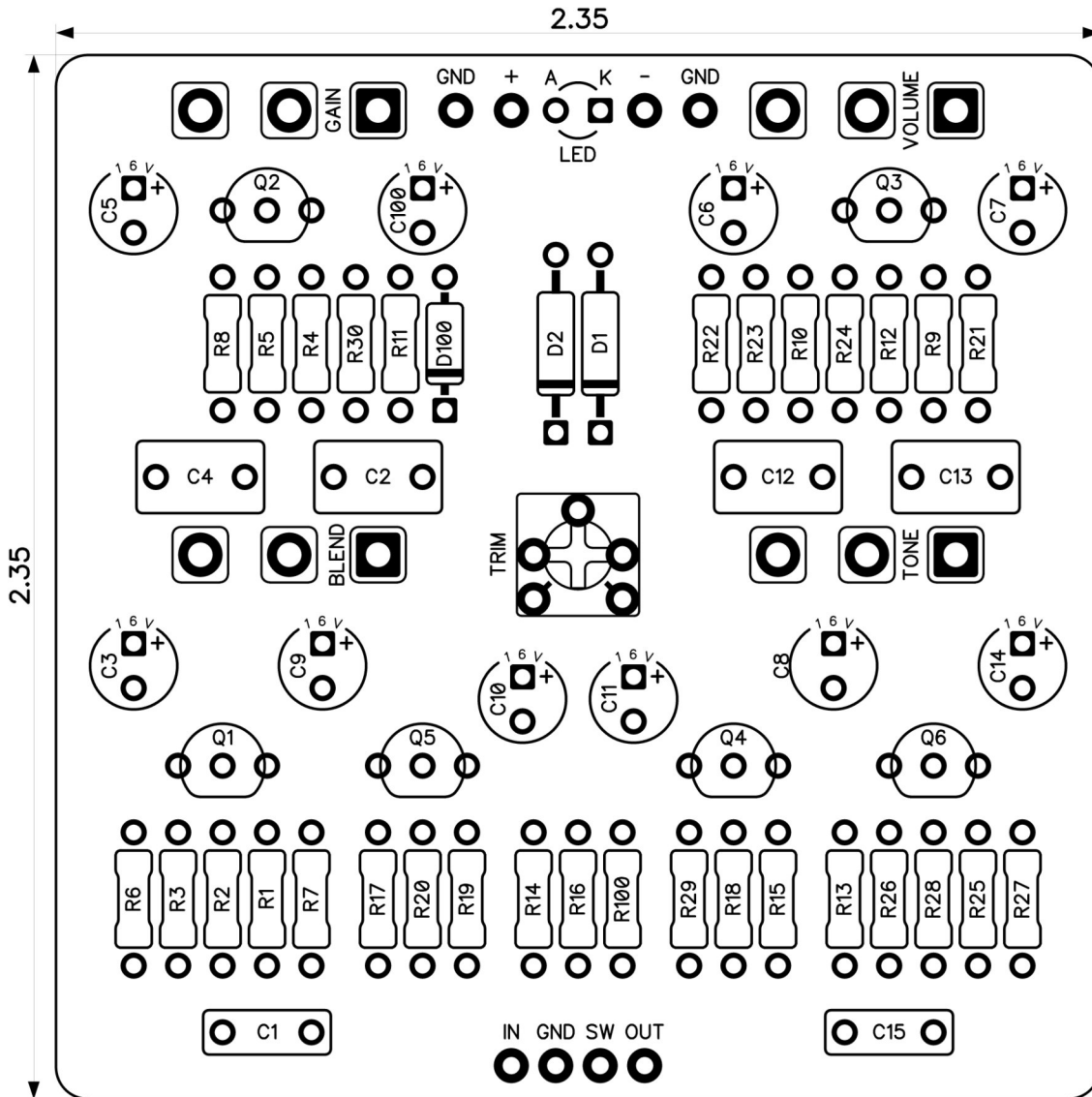


PedalPCB

Deep End Fuzz

Revised 4/14/26

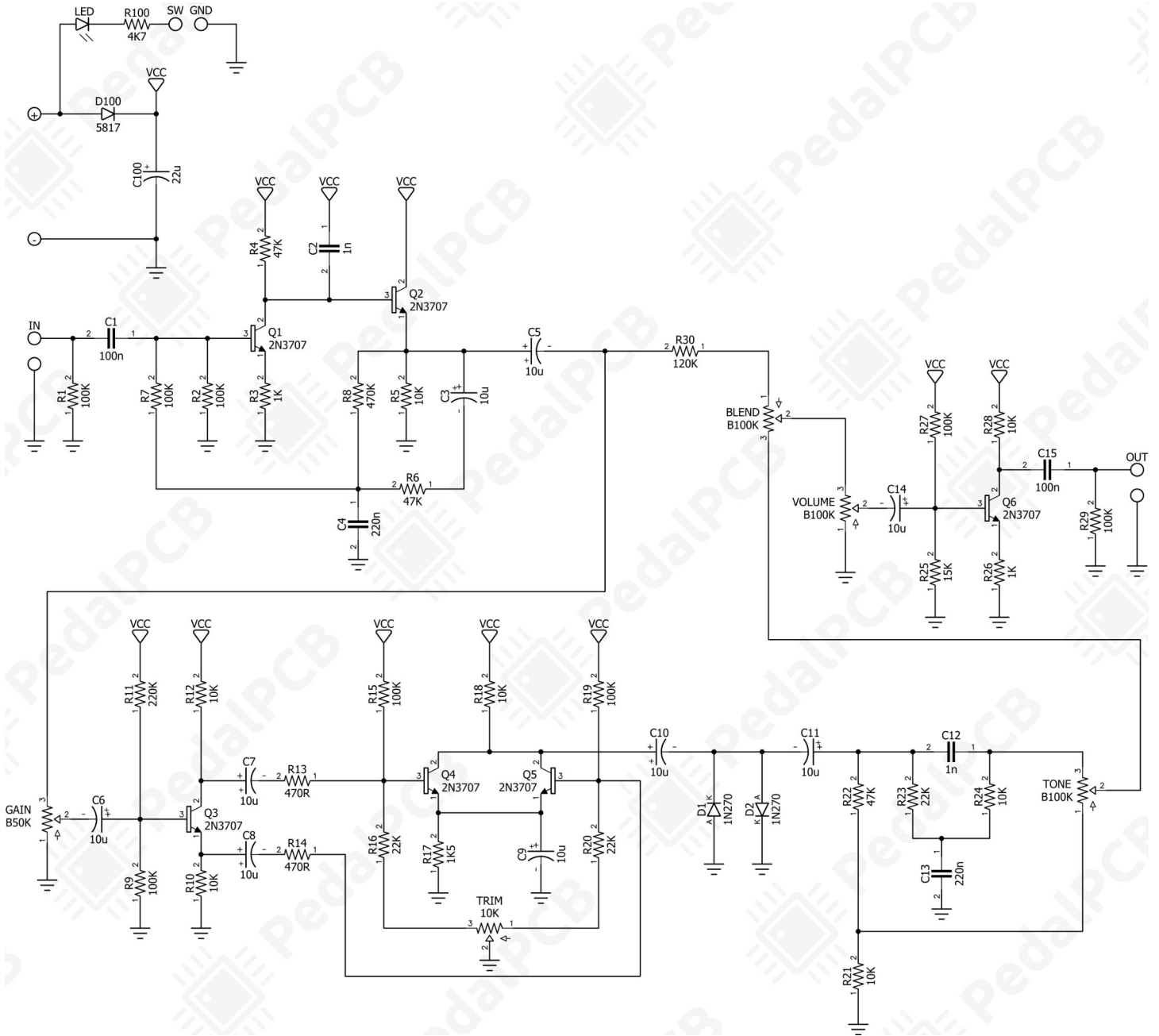


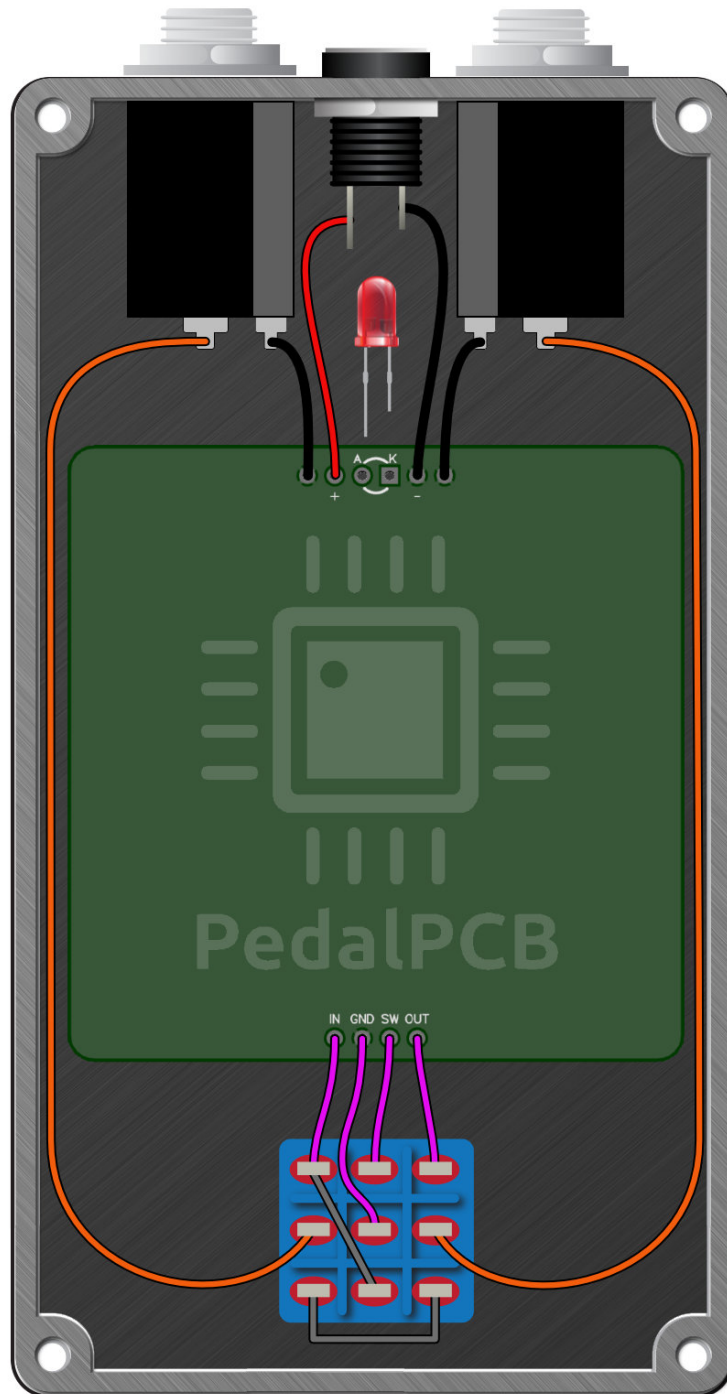
CONTROLS AND FEATURES

- Volume
- Gain
- Tone
- Blend

All trademarks and registered trademarks are the property of their respective owners. The company, product, and service names used in this web site are for identification purposes only. Use of these names, logos, and brands does not imply endorsement.

LOCATION	VALUE	TYPE	NOTES
R1	100K	Resistor, 1/4W	
R2	100K	Resistor, 1/4W	
R3	1K	Resistor, 1/4W	
R4	47K	Resistor, 1/4W	
R5	10K	Resistor, 1/4W	
R6	47K	Resistor, 1/4W	
R7	100K	Resistor, 1/4W	
R8	470K	Resistor, 1/4W	
R9	100K	Resistor, 1/4W	
R10	10K	Resistor, 1/4W	
R11	220K	Resistor, 1/4W	
R12	10K	Resistor, 1/4W	
R13	470R	Resistor, 1/4W	
R14	470R	Resistor, 1/4W	
R15	100K	Resistor, 1/4W	
R16	22K	Resistor, 1/4W	
R17	1K5	Resistor, 1/4W	
R18	10K	Resistor, 1/4W	
R19	100K	Resistor, 1/4W	
R20	22K	Resistor, 1/4W	
R21	10K	Resistor, 1/4W	
R22	47K	Resistor, 1/4W	
R23	22K	Resistor, 1/4W	
R24	10K	Resistor, 1/4W	
R25	15K	Resistor, 1/4W	
R26	1K	Resistor, 1/4W	
R27	100K	Resistor, 1/4W	
R28	10K	Resistor, 1/4W	
R29	100K	Resistor, 1/4W	
R30	120K	Resistor, 1/4W	
R100	4K7	Resistor, 1/4W	* LED current limiting resistor
C1	100n	Film capacitor, 7.2 x 2.5mm	
C2	1n	Film capacitor, 7.2 x 2.5mm	
C3	10u	Electrolytic capacitor, 5mm	
C4	220n	Film capacitor, 7.2 x 5.0mm	
C5	10u	Electrolytic capacitor, 5mm	
C6	10u	Electrolytic capacitor, 5mm	
C7	10u	Electrolytic capacitor, 5mm	
C8	10u	Electrolytic capacitor, 5mm	
C9	10u	Electrolytic capacitor, 5mm	
C10	10u	Electrolytic capacitor, 5mm	
C11	10u	Electrolytic capacitor, 5mm	
C12	1n	Film capacitor, 7.2 x 2.5mm	
C13	220n	Film capacitor, 7.2 x 5.0mm	
C14	10u	Electrolytic capacitor, 5mm	
C15	100n	Film capacitor, 7.2 x 2.5mm	
C100	22u	Electrolytic capacitor, 5mm	
D1	1N270	Diode, Germanium	
D2	1N270	Diode, Germanium	
D100	1N5817	Schottky diode, DO-41	
Q1	2N3707	BJT transistor, NPN TO-92	[Link]
Q2	2N3707	BJT transistor, NPN TO-92	
Q3	2N3707	BJT transistor, NPN TO-92	
Q4	2N3707	BJT transistor, NPN TO-92	
Q5	2N3707	BJT transistor, NPN TO-92	
Q6	2N3707	BJT transistor, NPN TO-92	
TRIM	10K	Trimmer potentiometer, 3362P type	[Link]
VOLUME	B100K	16mm right-angle PCB mount pot	
GAIN	B50K	16mm right-angle PCB mount pot	
TONE	B100K	16mm right-angle PCB mount pot	
BLEND	B100K	16mm right-angle PCB mount pot	





Deep End Fuzz

Drill Template
125B Enclosure

