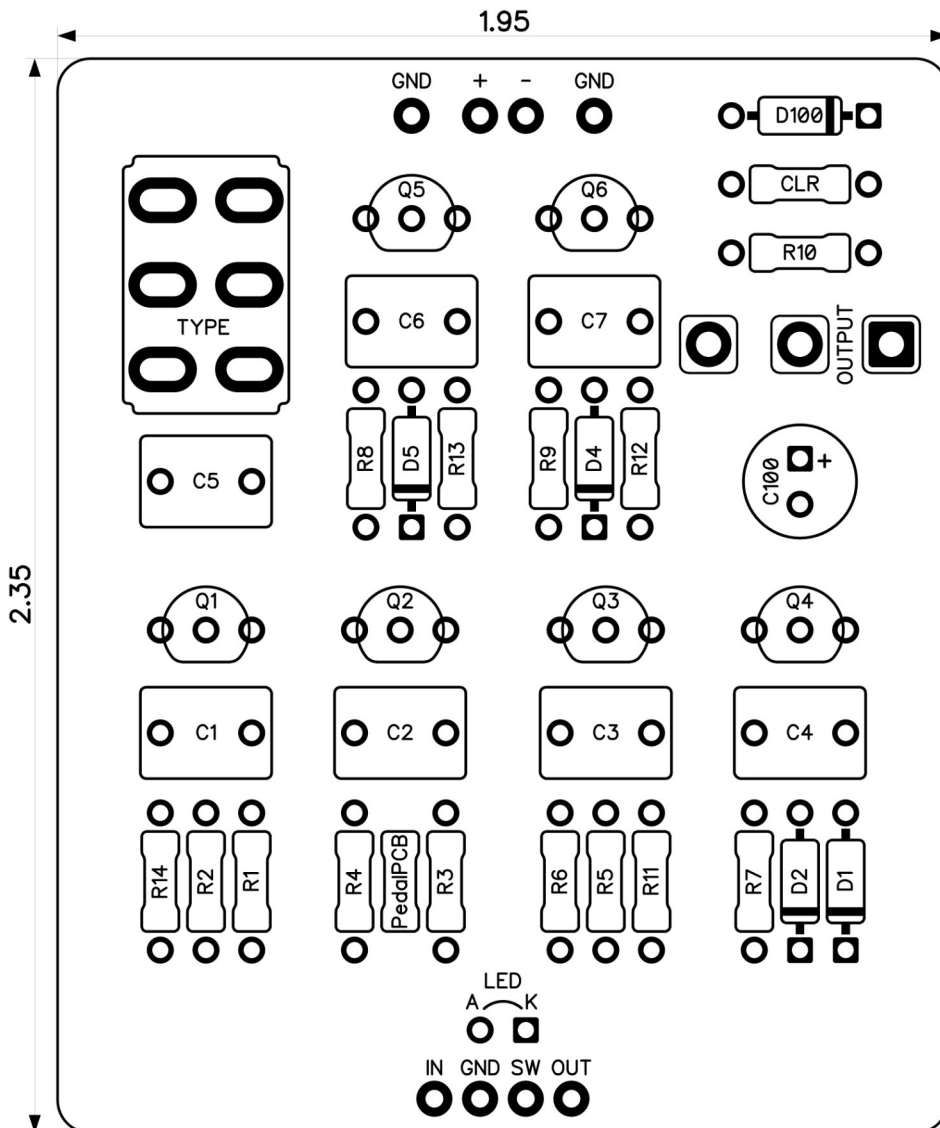


PedalPCB

Deaf Boyardee Fuzz

Revised 12/18/24



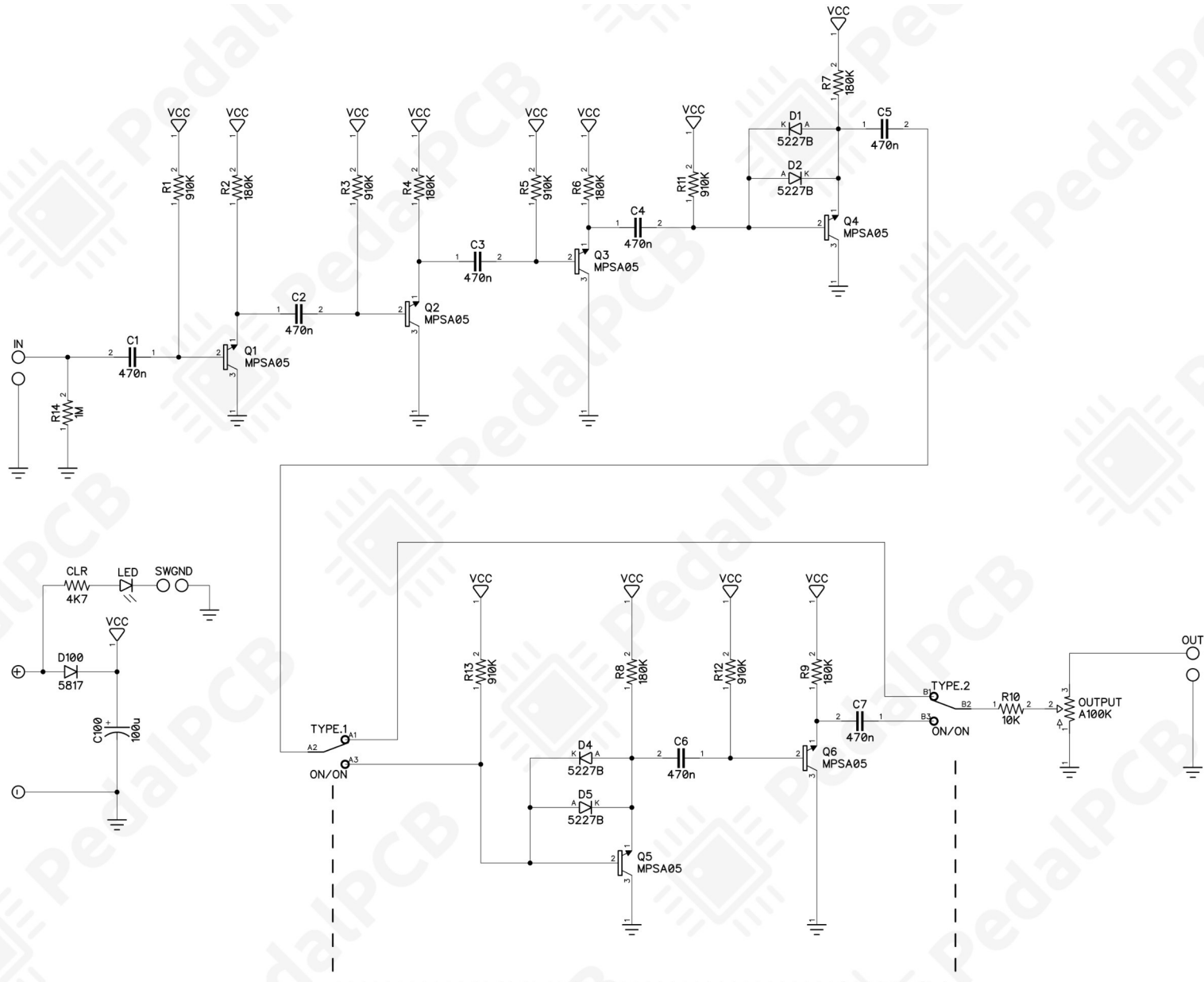
CONTROLS AND FEATURES

- Output
- Fuzz Type (Toggle switch)

All trademarks and registered trademarks are the property of their respective owners. The company, product, and service names used in this web site are for identification purposes only. Use of these names, logos, and brands does not imply endorsement.

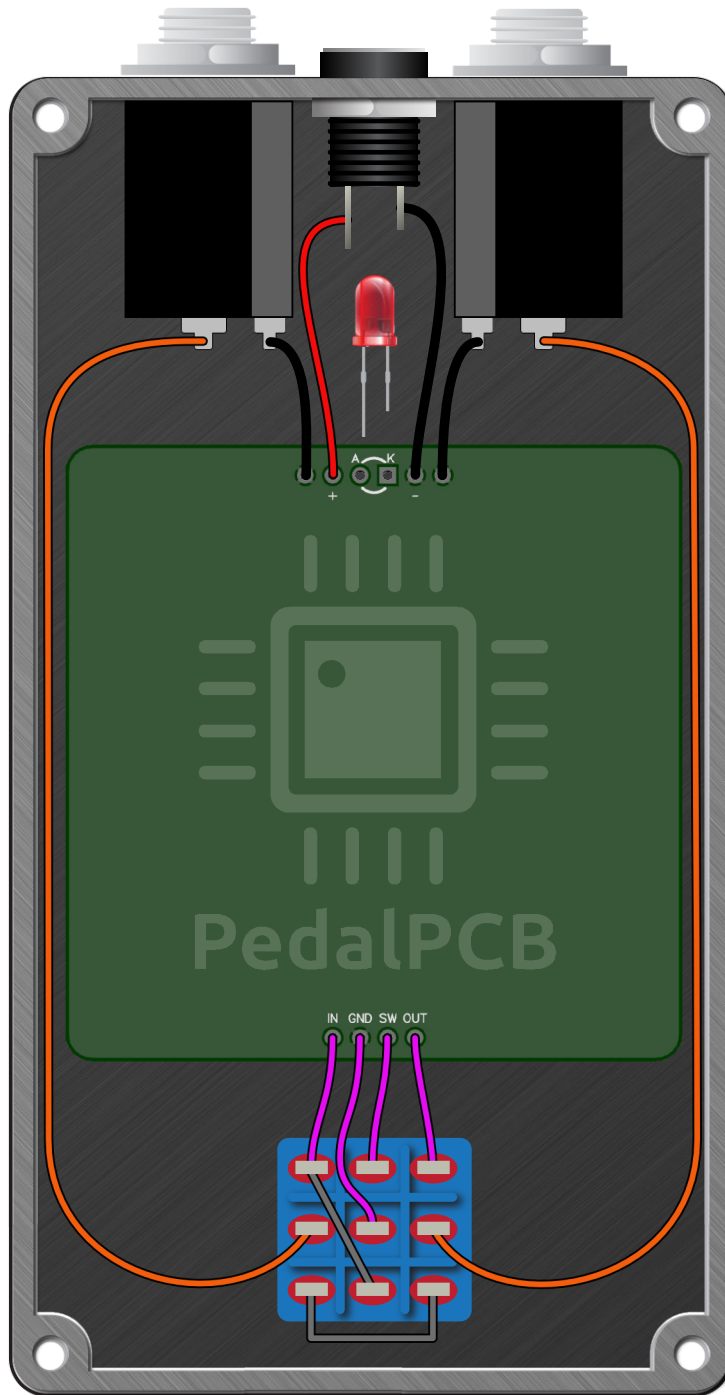
Deaf Boyardee Fuzz

Schematic Diagram



Deaf Boyardee Fuzz

Wiring Diagram



Deaf Boyardee Fuzz

Drill Template
125B Enclosure

