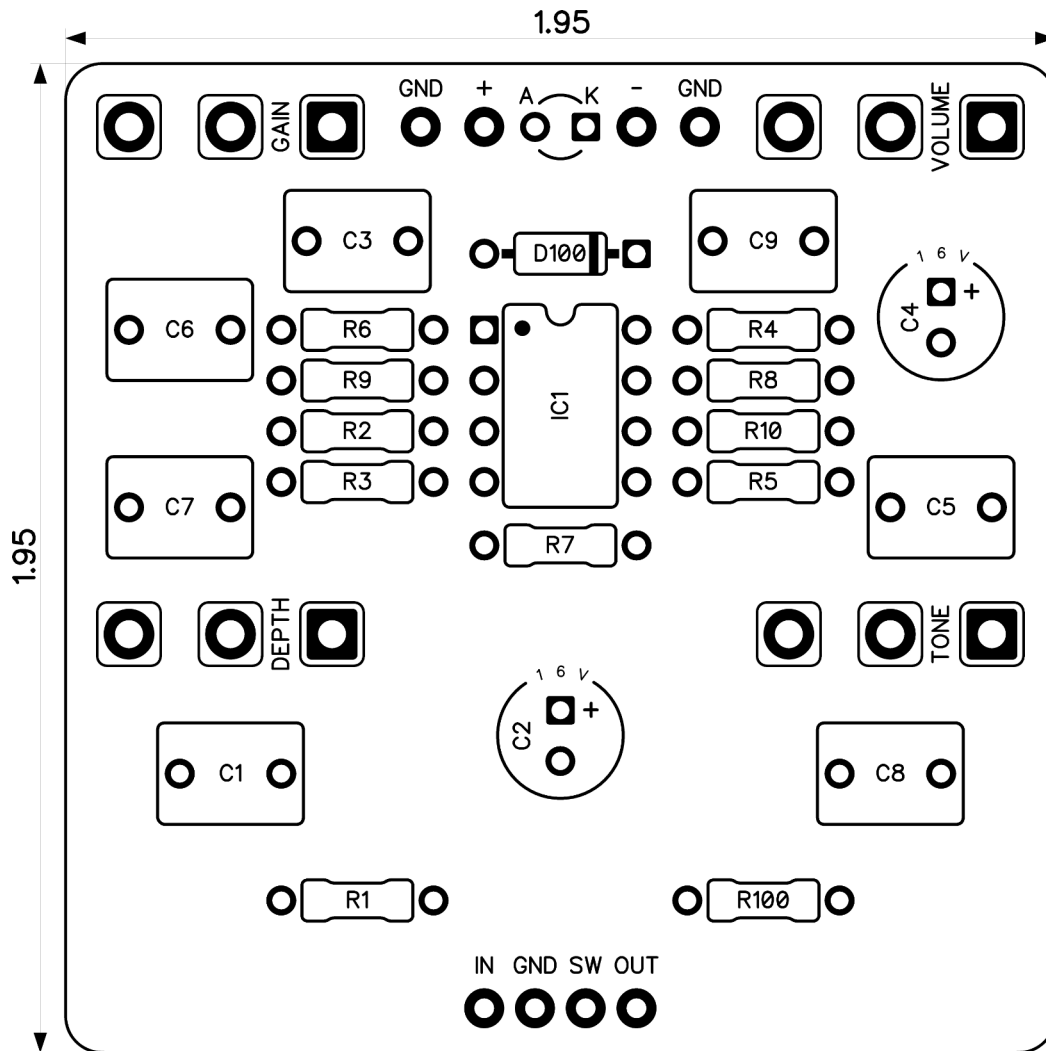




# Crystal Lettuce Overdrive (Silver)

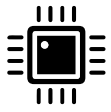
Revised 7/10/23



## CONTROLS AND FEATURES

- Volume
- Gain
- Tone
- Depth

All trademarks and registered trademarks are the property of their respective owners. The company, product, and service names used in this web site are for identification purposes only. Use of these names, logos, and brands does not imply endorsement.



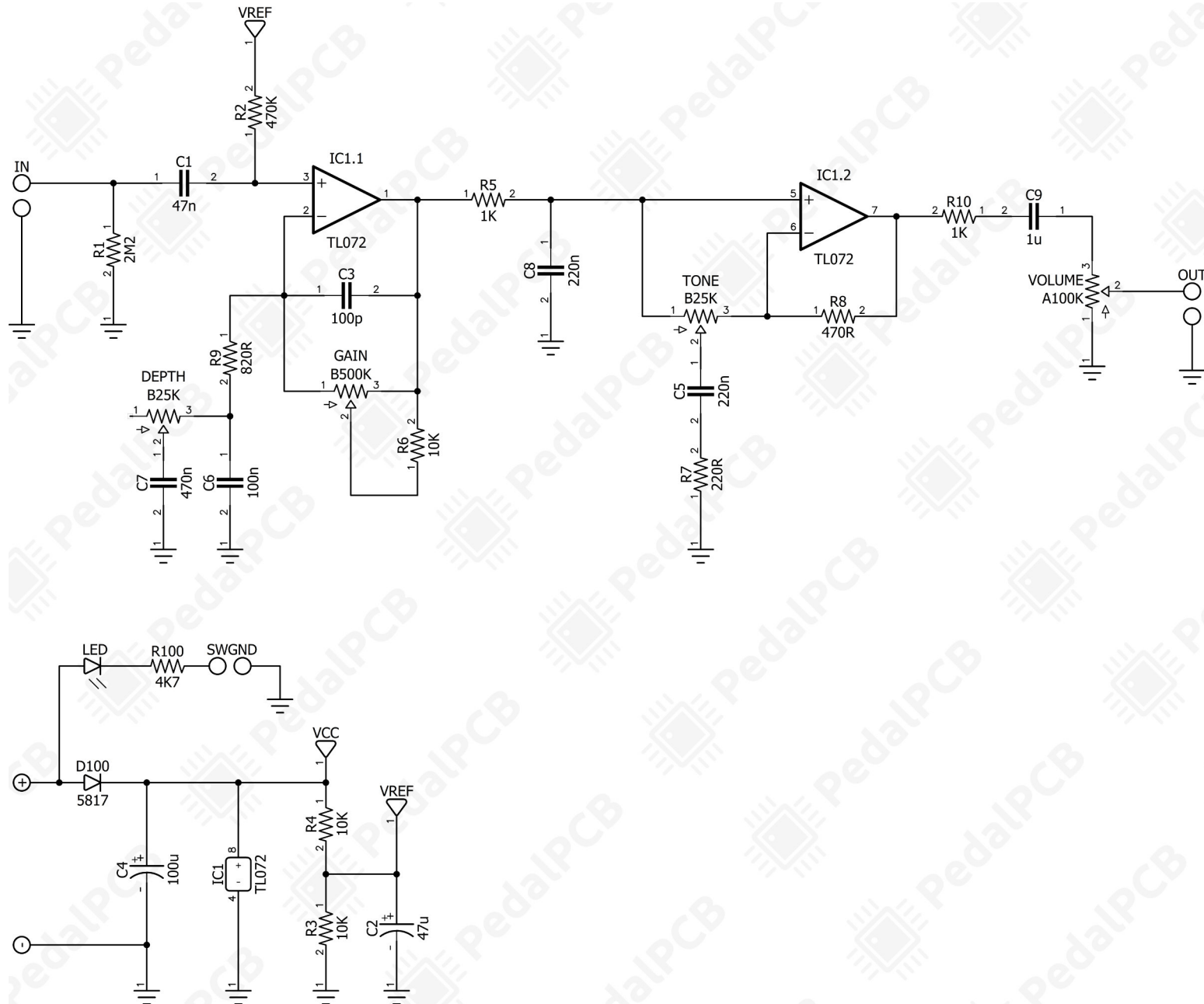
# PedalPCB Crystal Lettuce Overdrive (Silver)

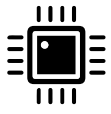
Parts List (Page 1 of 1)

LOCATION	VALUE	TYPE	NOTES
R1	2M2	Resistor, 1/4W	
R2	470K	Resistor, 1/4W	
R3	10K	Resistor, 1/4W	
R4	10K	Resistor, 1/4W	
R5	1K	Resistor, 1/4W	
R6	10K	Resistor, 1/4W	
R7	220R	Resistor, 1/4W	
R8	470R	Resistor, 1/4W	
R9	820R	Resistor, 1/4W	
R10	1K	Resistor, 1/4W	
R100	4K7	Resistor, 1/4W	* <i>LED current limiting resistor</i>
C1	47n	Film capacitor, 7.2 x 2.5mm	
C2	47u	Electrolytic capacitor, 5mm	
C3	100p	Ceramic capacitor	
C4	100u	Electrolytic capacitor, 5mm	
C5	220n	Film capacitor, 7.2 x 5.0mm	
C6	100n	Film capacitor, 7.2 x 2.5mm	
C7	470n	Film capacitor, 7.2 x 5.0mm	
C8	220n	Film capacitor, 7.2 x 5.0mm	
C9	1u	Film capacitor, 7.2 x 5.0mm	
D100	1N5817	Schottky diode, DO-41	
IC1	TL072	Dual op-amp, DIP8	
VOLUME	A100K	16mm right-angle PCB mount pot	
GAIN	B500K	16mm right-angle PCB mount pot	
TONE	B25K	16mm right-angle PCB mount pot	
DEPTH	B25K	16mm right-angle PCB mount pot	

# Crystal Lettuce Overdrive (Silver)

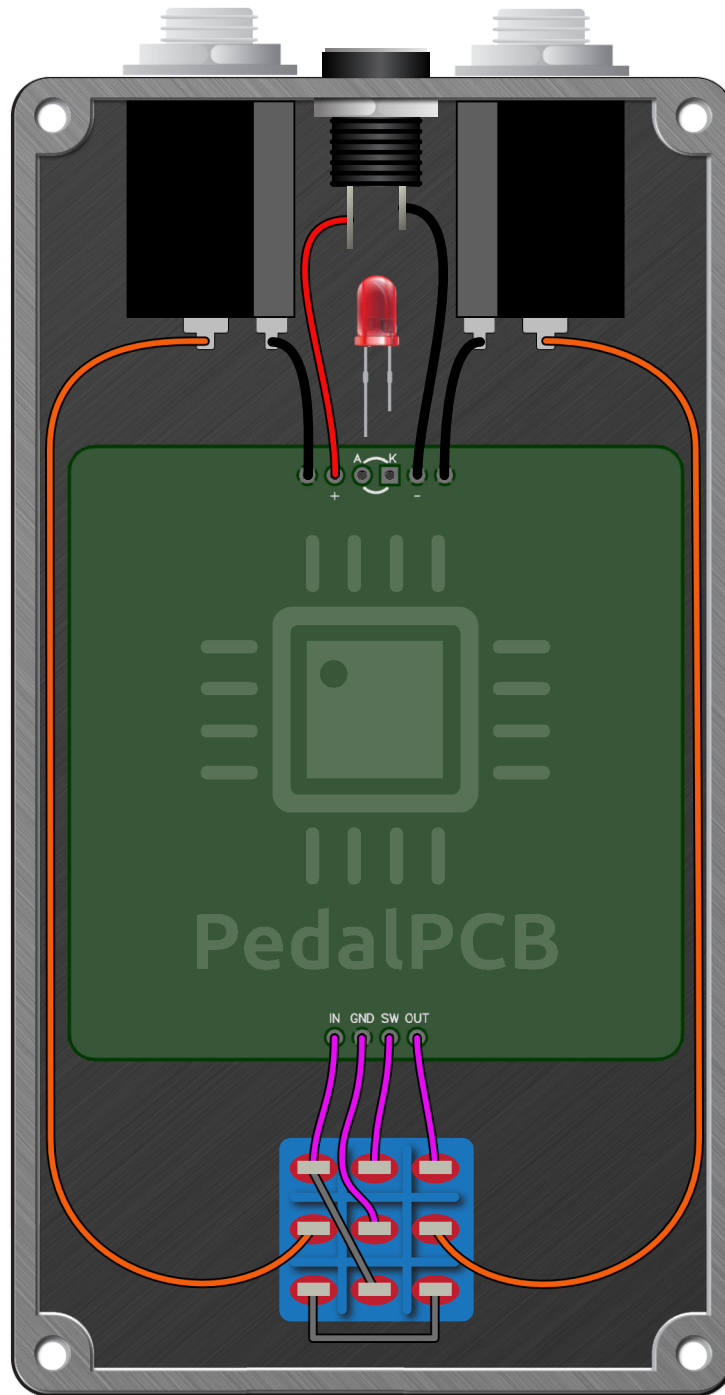
Schematic Diagram

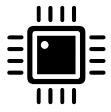




# PedalPCB Crystal Lettuce Overdrive (Silver)

Wiring Diagram





# PedalPCB Crystal Lettuce Overdrive (Silver)

Drill Template  
125B Enclosure

