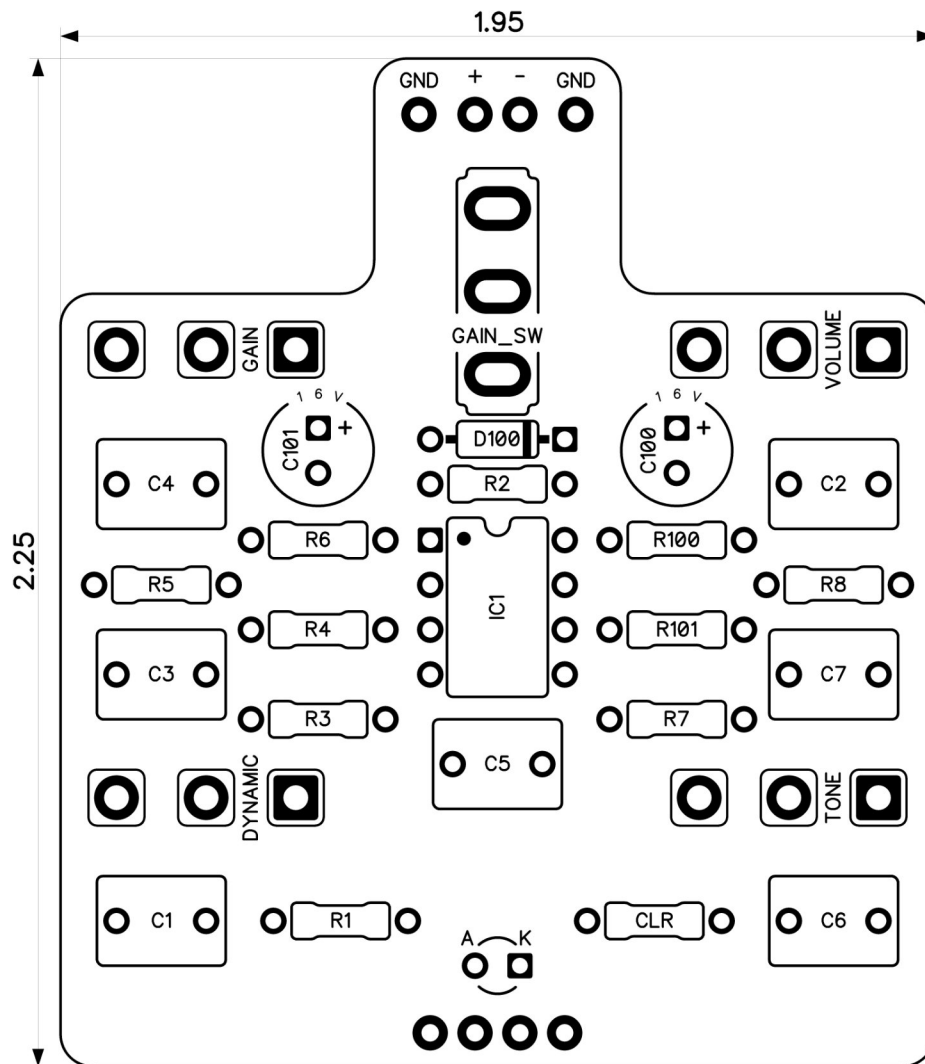


PedalPCB

Crystal Lettuce Overdrive (Black)

Revised 7/10/23



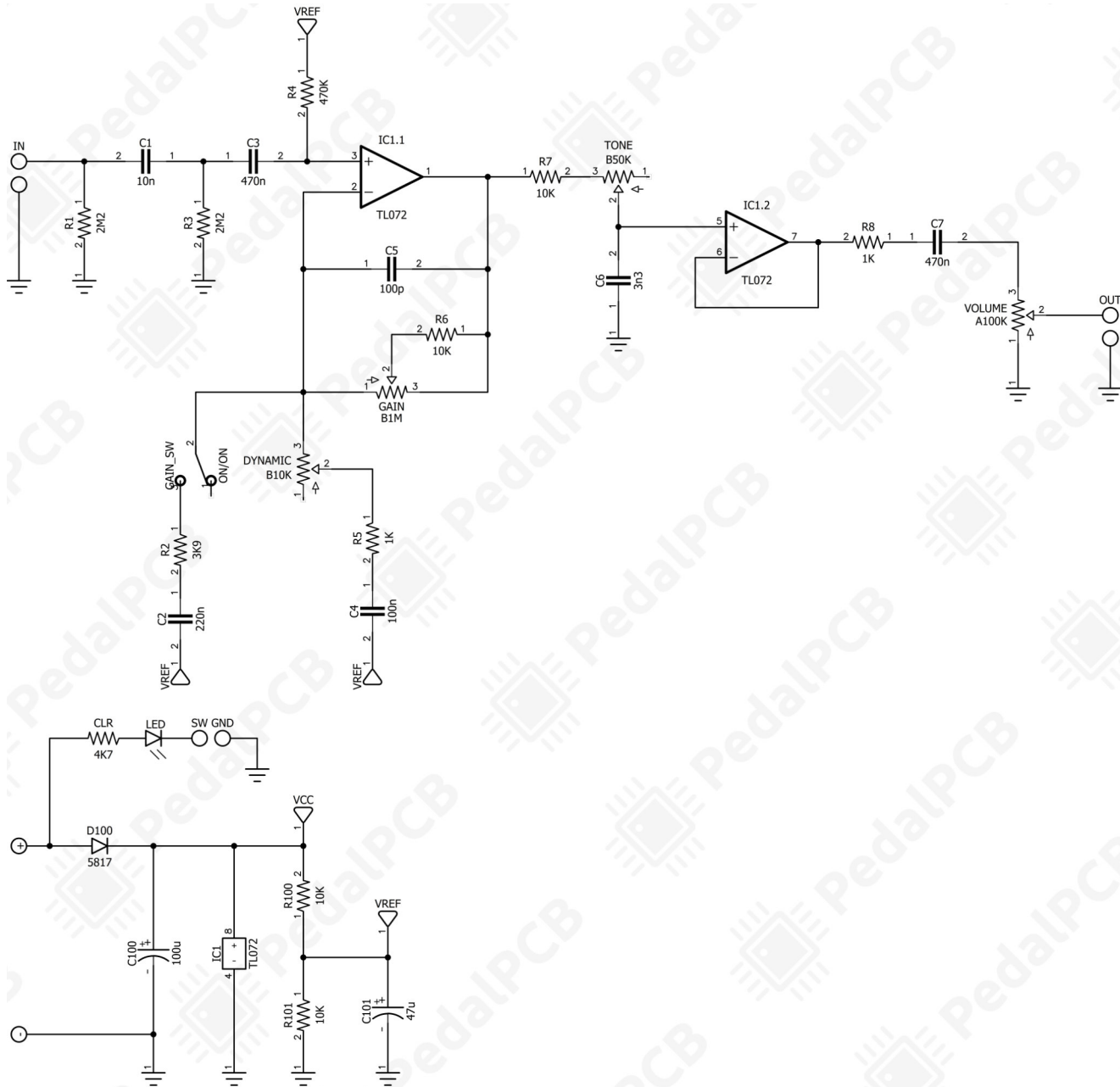
CONTROLS AND FEATURES

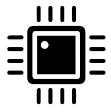
- Volume
- Gain
- Tone
- Dynamic
- Gain (Toggle switch)

All trademarks and registered trademarks are the property of their respective owners. The company, product, and service names used in this web site are for identification purposes only. Use of these names, logos, and brands does not imply endorsement.

Crystal Lettuce Overdrive (Black)

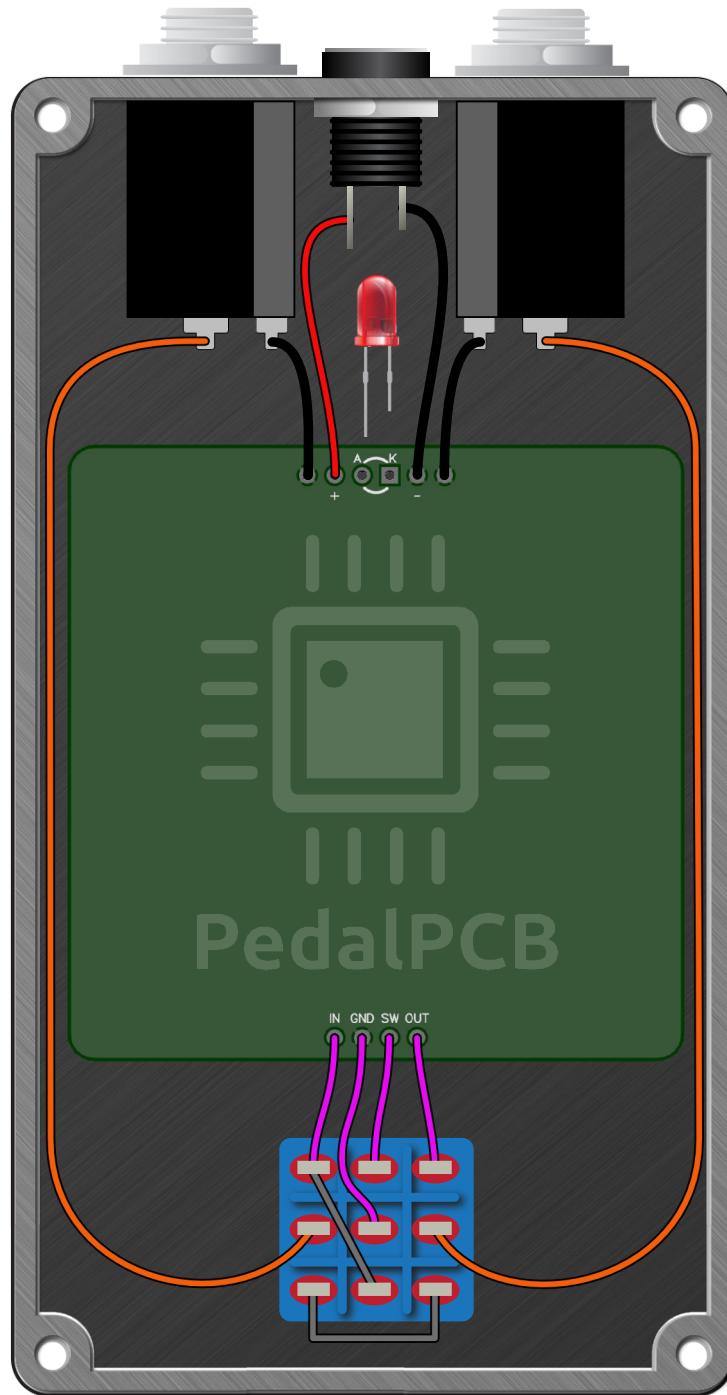
Schematic Diagram

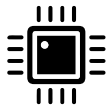




PedalPCB Crystal Lettuce Overdrive (Black)

Wiring Diagram





PedalPCB Crystal Lettuce Overdrive (Black)

Drill Template
125B Enclosure

