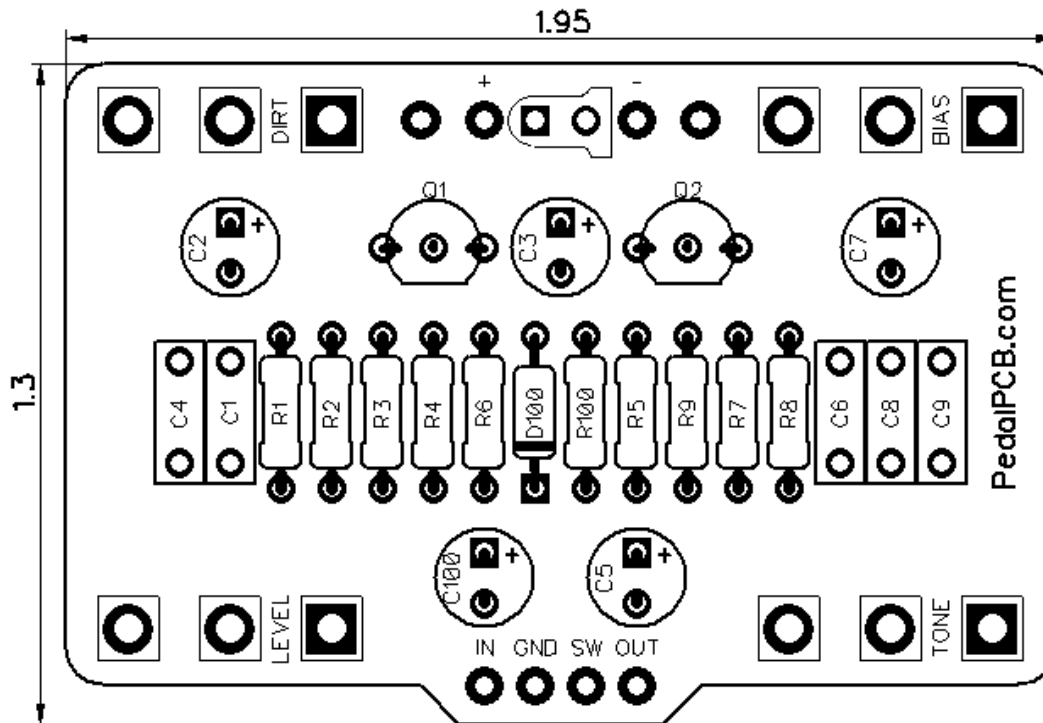


PedalPCB

Cross Contaminator

Revision 06.22.18



Controls

- **Dirt** - Adjusts the amount of dirt / fuzz
- **Tone** - Adjusts tone from warm and mellow tone to bright and sharp
- **Bias** - Controls the amount of voltage delivered to the transistors
- **Level** - Controls the overall output volume

All trademarks and registered trademarks are the property of their respective owners. The company, product, and service names used in this web site are for identification purposes only. Use of these names, logos, and brands does not imply endorsement.

RESISTORS

R1 1M
R2 4K7
R3 1K
R4 100K
R5 1K
R6 22K
R7 3K3
R8 22K
R9 68K
R100 4K7

POTENTIOMETERS

DIRT A100K
TONE B50K
BIAS B5K
LEVEL A100K

CAPACITORS

C1 100p
C2 4u7
C3 22u
C4 470p
C5 47u
C6 100p
C7 22u
C8 6n8
C9 6n8
C100 100u

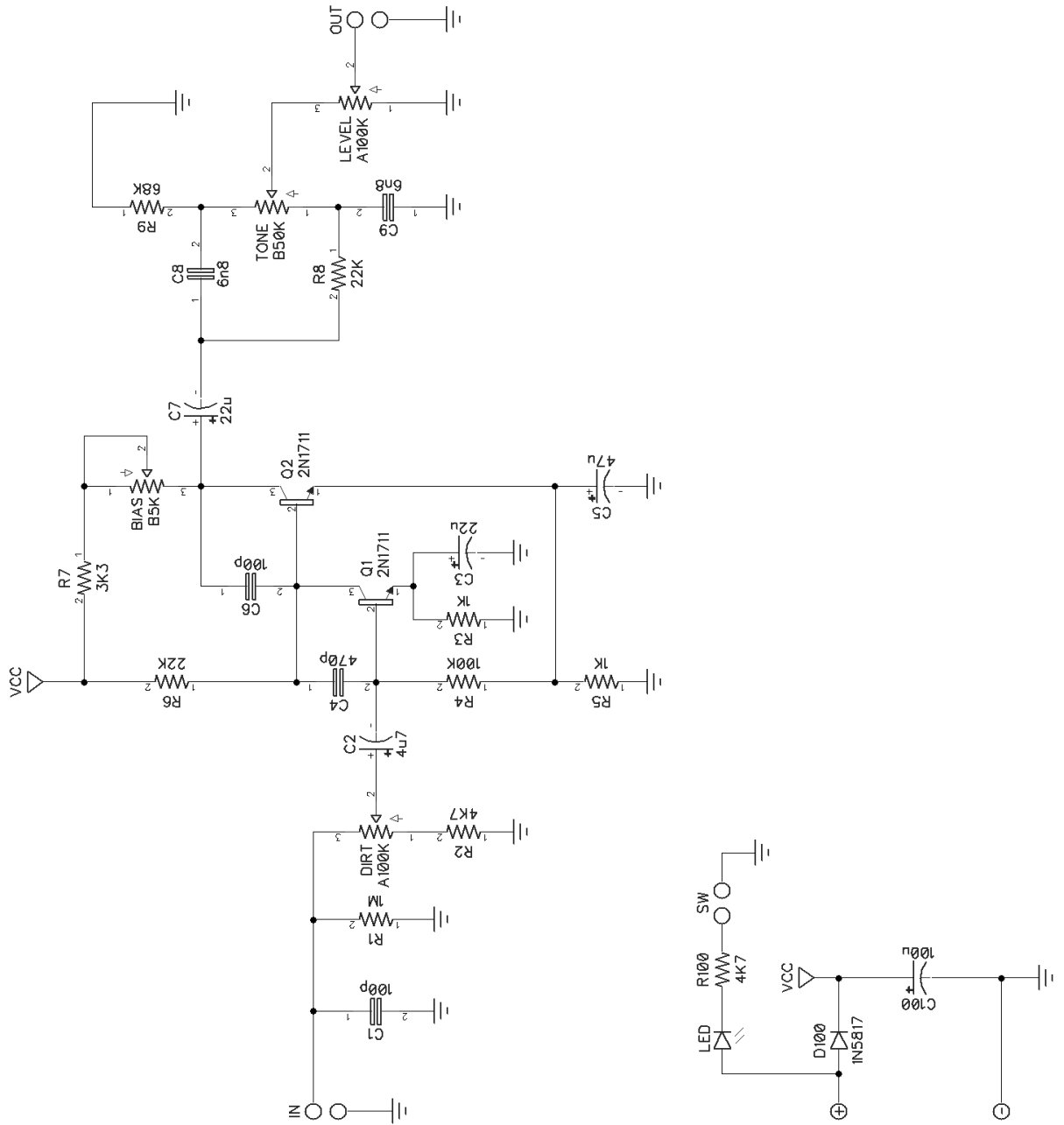
TRANSISTORS

Q1 2N1711
Q2 2N1711

DIODES

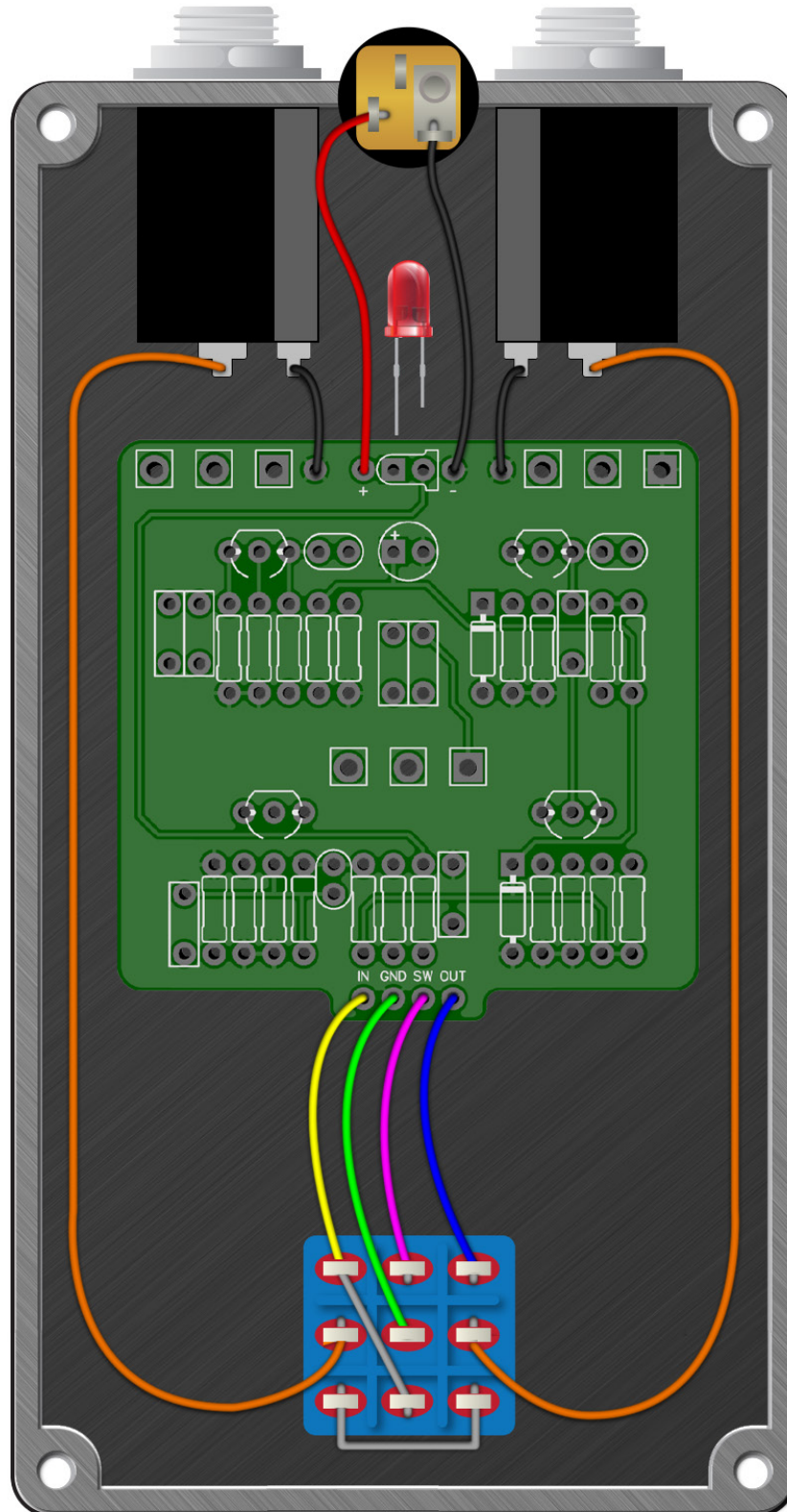
D100 1N5817

Cross Contaminator



Cross Contaminator

Wiring Diagram



Cross Contaminator

Drill Template
125B enclosure with top mounted jacks

