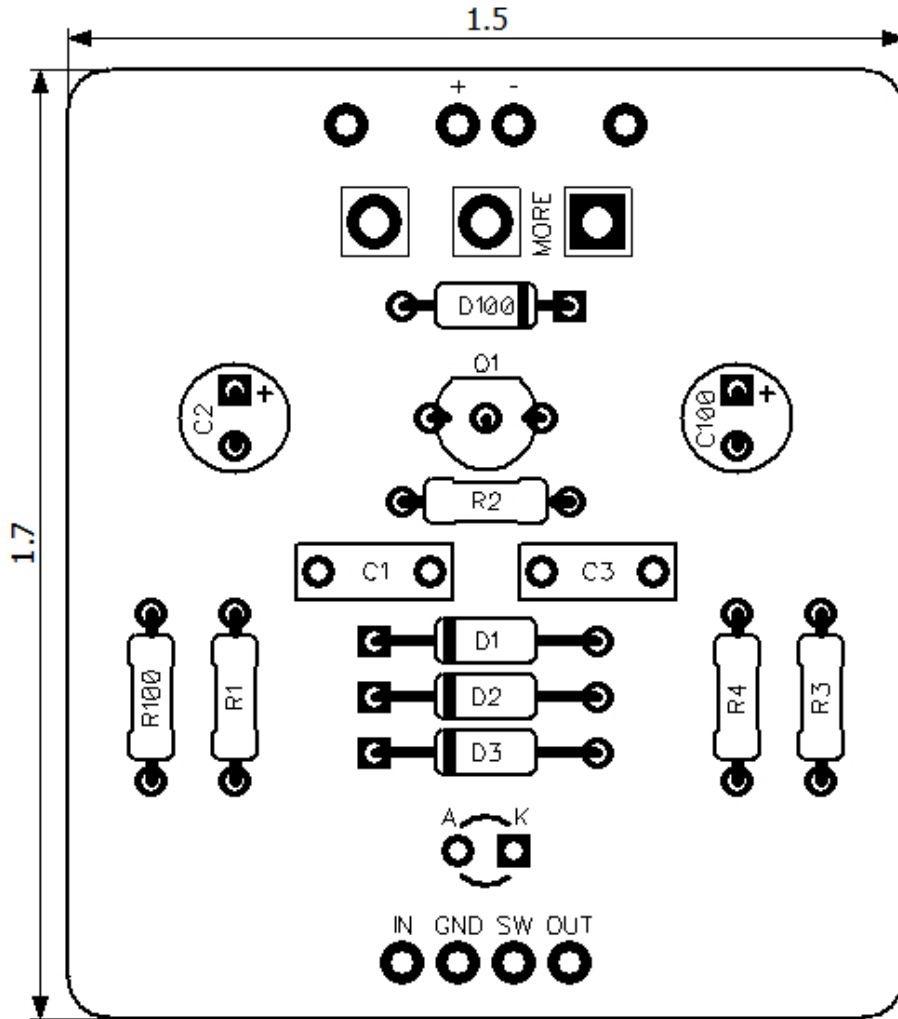


PedalPCB

Crankshaft Distortion

Revised 2/20/23



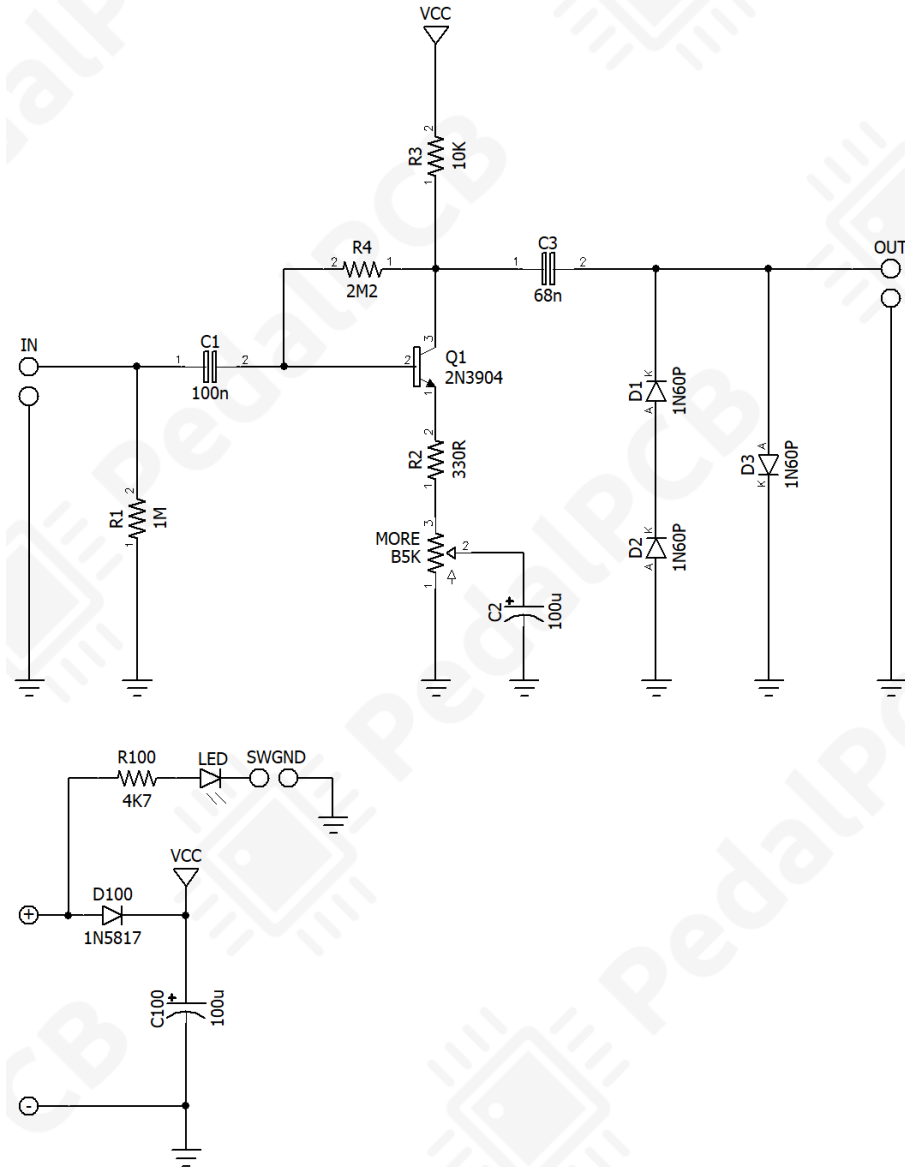
CONTROLS AND FEATURES

- More

All trademarks and registered trademarks are the property of their respective owners. The company, product, and service names used in this web site are for identification purposes only. Use of these names, logos, and brands does not imply endorsement.

Crankshaft Distortion

Schematic Diagram



Crankshaft Distortion

Wiring Diagram



Crankshaft Distortion

Drill Template
125B Enclosure

