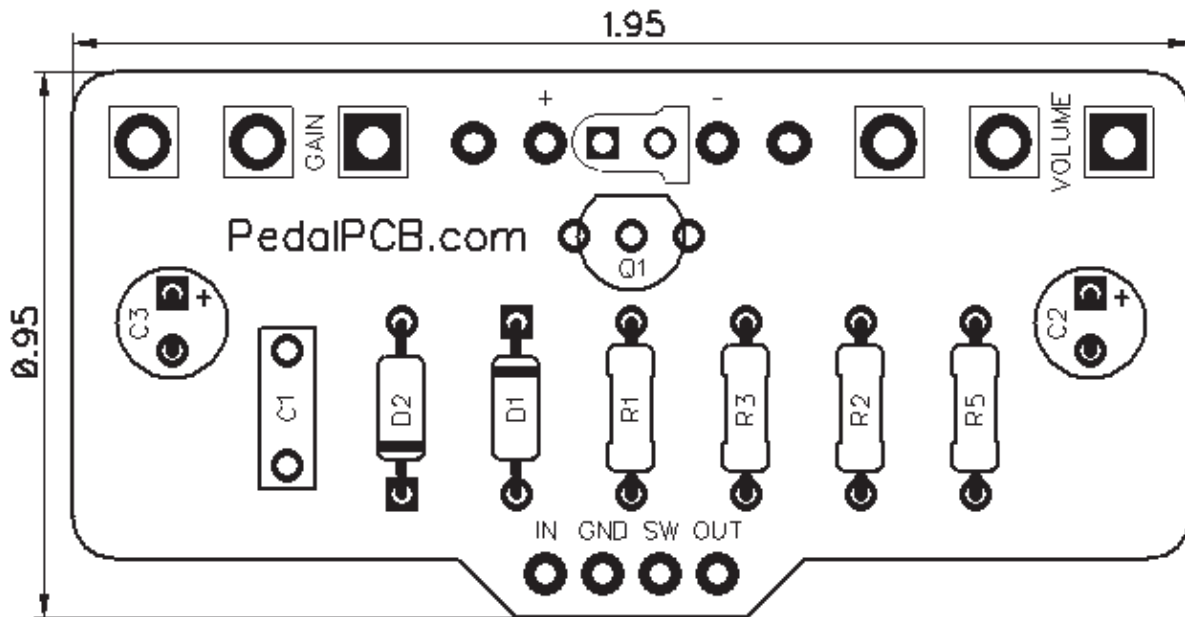


PedalPCB CrackleJack

Revision 12.16.18



Controls

- Gain
- Volume

All trademarks and registered trademarks are the property of their respective owners. The company, product, and service names used in this web site are for identification purposes only. Use of these names, logos, and brands does not imply endorsement.

RESISTORS (1/4W)

R1 10M
R2 10M
R3 5K1
R5 4K7

CAPACITORS

C1 100n
C2 10u
C3 100u

TRANSISTORS

Q1 BS170

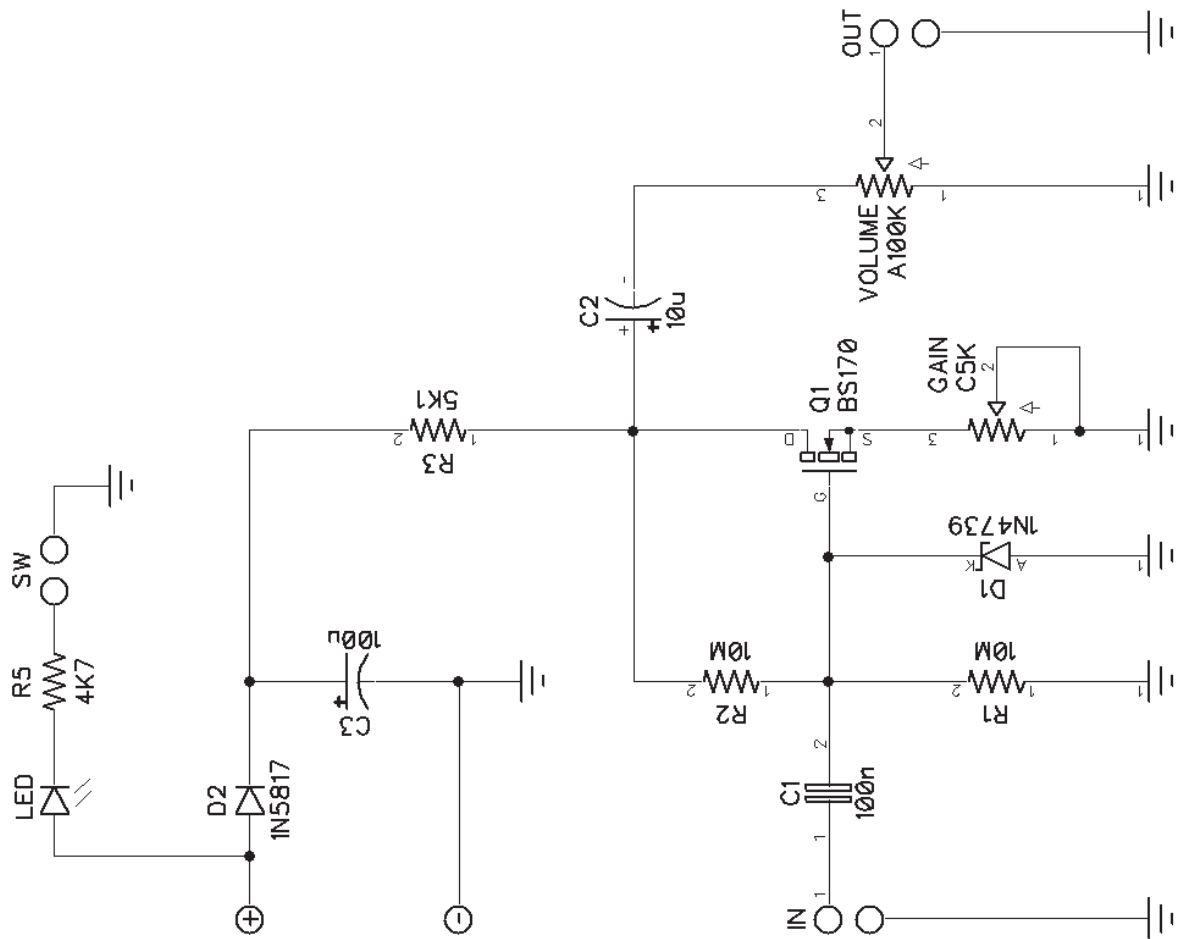
DIODES

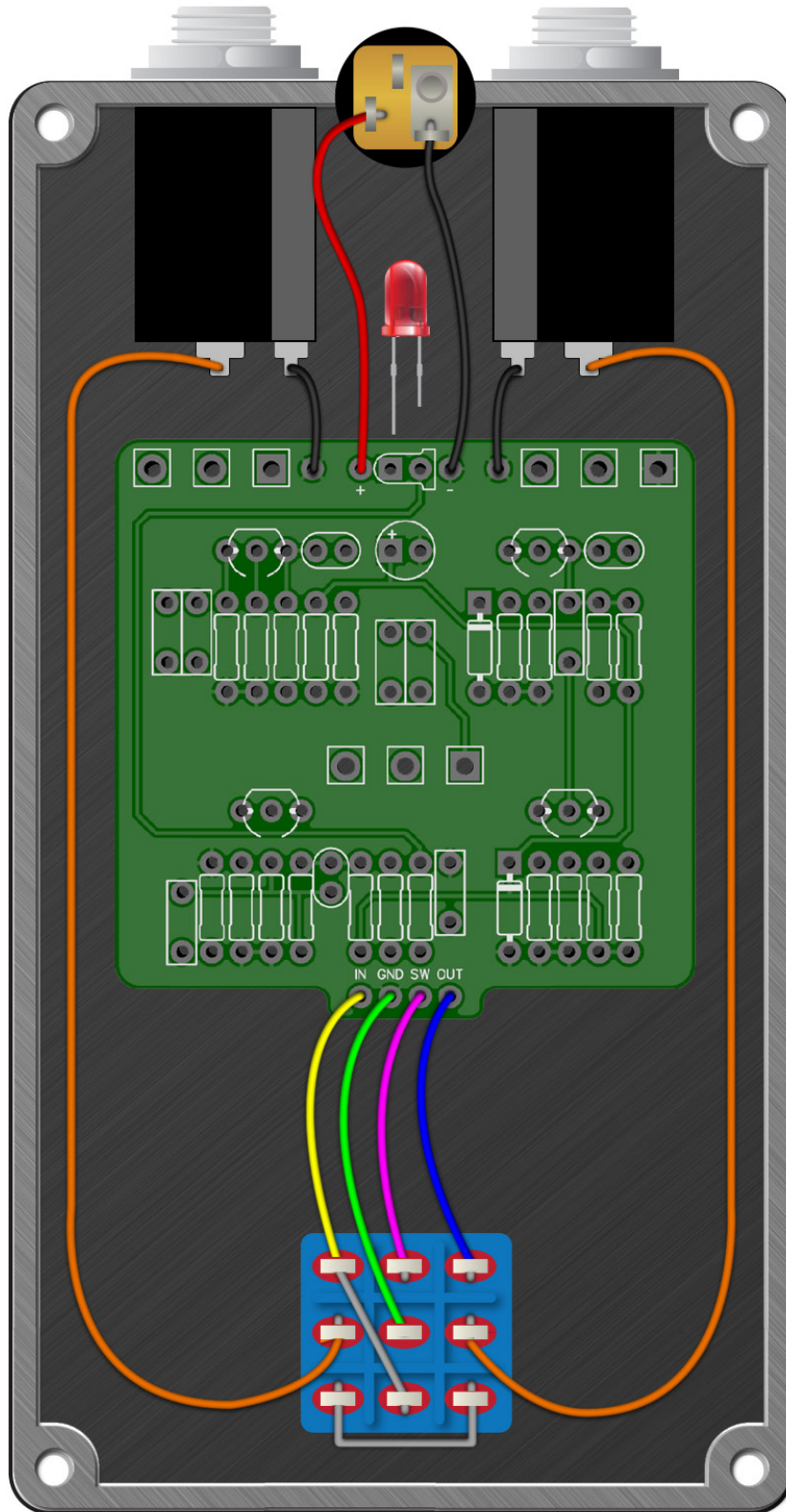
D1 1N4739
D2 1N5817

POTENTIOMETERS

VOLUME A100K
GAIN C5K

CrackleJack





CrackleJack

Drill Template
125B enclosure with top mounted jacks

