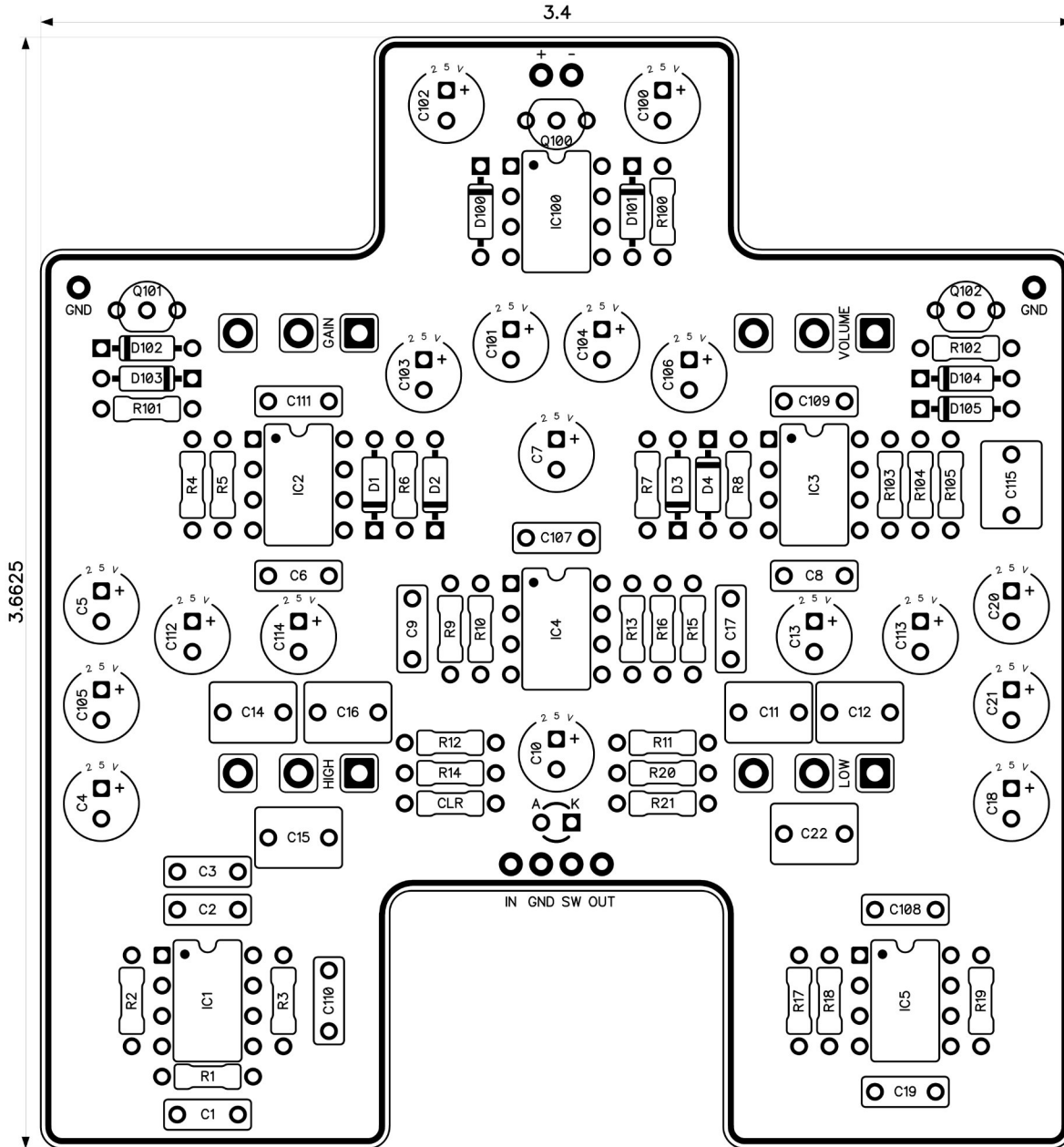


# PedalPCB

## Courier Overdrive

Revised 8/16/23



### CONTROLS AND FEATURES

- Level
- Tone

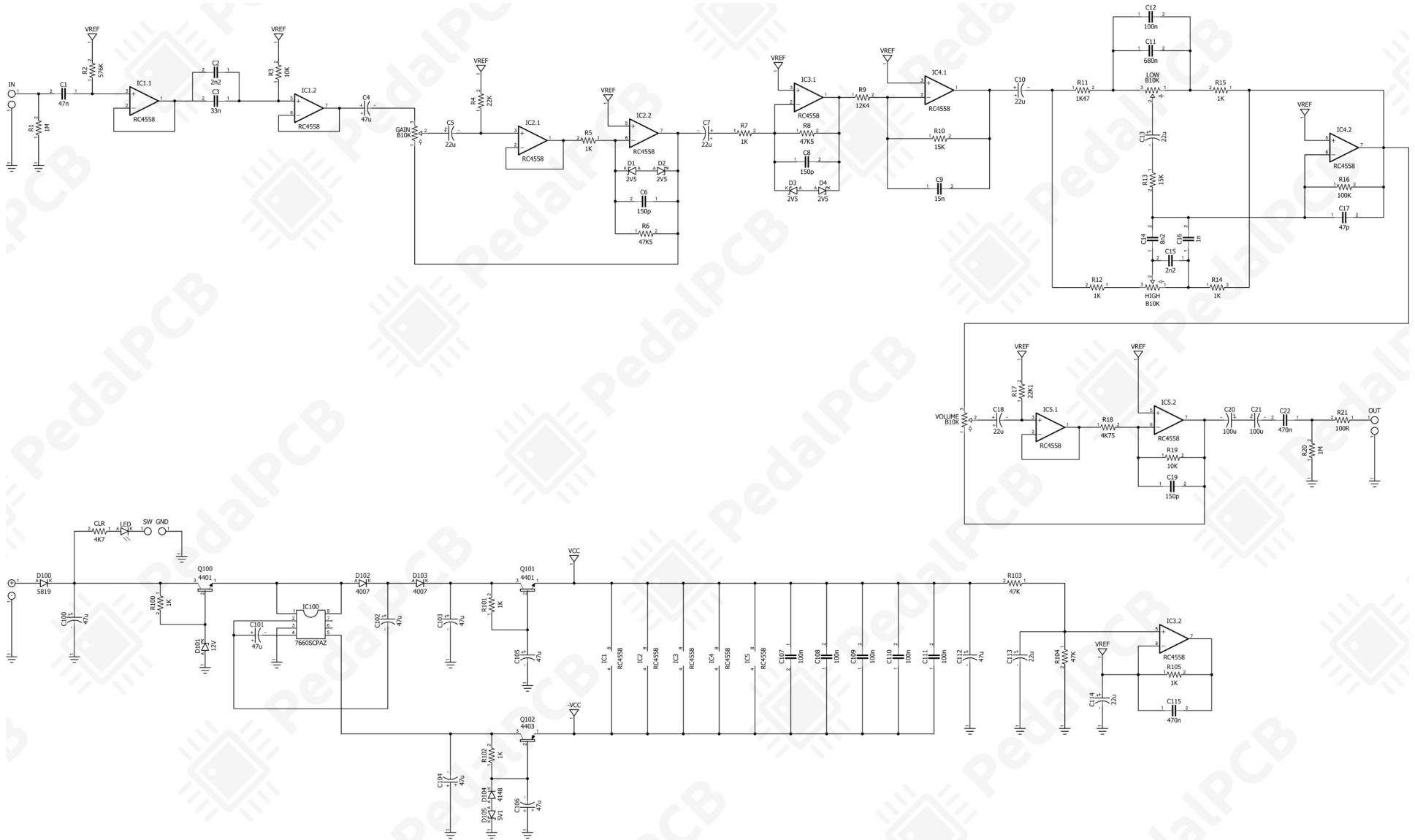
All trademarks and registered trademarks are the property of their respective owners. The company, product, and service names used in this web site are for identification purposes only. Use of these names, logos, and brands does not imply endorsement.



LOCATION	VALUE	TYPE	NOTES
C17	47p	Ceramic capacitor	
C18	22u	Electrolytic capacitor, 5mm	
C19	150p	Ceramic capacitor	
C20	100u	Electrolytic capacitor, 5mm	
C21	100u	Electrolytic capacitor, 5mm	
C22	470n	Film capacitor, 7.2 x 5.0mm	
C100	47u	Electrolytic capacitor, 5mm	
C101	47u	Electrolytic capacitor, 5mm	
C102	47u	Electrolytic capacitor, 5mm	⚡ 25V Minimum
C103	47u	Electrolytic capacitor, 5mm	⚡ 25V Minimum
C104	47u	Electrolytic capacitor, 5mm	
C105	47u	Electrolytic capacitor, 5mm	⚡ 25V Minimum
C106	47u	Electrolytic capacitor, 5mm	
C107	100n	Film capacitor, 7.2 x 2.5mm	
C108	100n	Film capacitor, 7.2 x 2.5mm	
C109	100n	Film capacitor, 7.2 x 2.5mm	
C110	100n	Film capacitor, 7.2 x 2.5mm	
C111	100n	Film capacitor, 7.2 x 2.5mm	
C112	47u	Electrolytic capacitor, 5mm	⚡ 25V Minimum
C113	22u	Electrolytic capacitor, 5mm	
C114	22u	Electrolytic capacitor, 5mm	
C115	470n	Film capacitor, 7.2 x 5.0mm	
D1	1N5222B	Zener diode 1/2W, 2.5V	
D2	1N5222B	Zener diode 1/2W, 2.5V	
D3	1N5222B	Zener diode 1/2W, 2.5V	
D4	1N5222B	Zener diode 1/2W, 2.5V	
D100	1N5819	Schottky diode, DO-41	
D101	1N5242B	Zener diode 1/2W, 12V	
D102	1N4007	Standard recovery diode, DO-41	
D103	1N4007	Standard recovery diode, DO-41	
D104	1N4148	Signal diode, DO-35	
D105	1N5231	Zener diode 1/2W, 5.1V	
Q100	4401	BJT transistor, NPN TO-92	
Q101	4401	BJT transistor, NPN TO-92	
Q102	4403	BJT transistor, PNP TO-92	
IC1	RC4558	Dual op-amp, DIP8	
IC2	RC4558	Dual op-amp, DIP8	
IC3	RC4558	Dual op-amp, DIP8	
IC4	RC4558	Dual op-amp, DIP8	
IC5	RC4558	Dual op-amp, DIP8	
IC100	7660SCPAZ	Charge pump IC, DIP8	
VOLUME	B10K	16mm right-angle PCB mount pot	
GAIN	B10K	16mm right-angle PCB mount pot	
LOW	B10K	16mm right-angle PCB mount pot	
HIGH	B10K	16mm right-angle PCB mount pot	

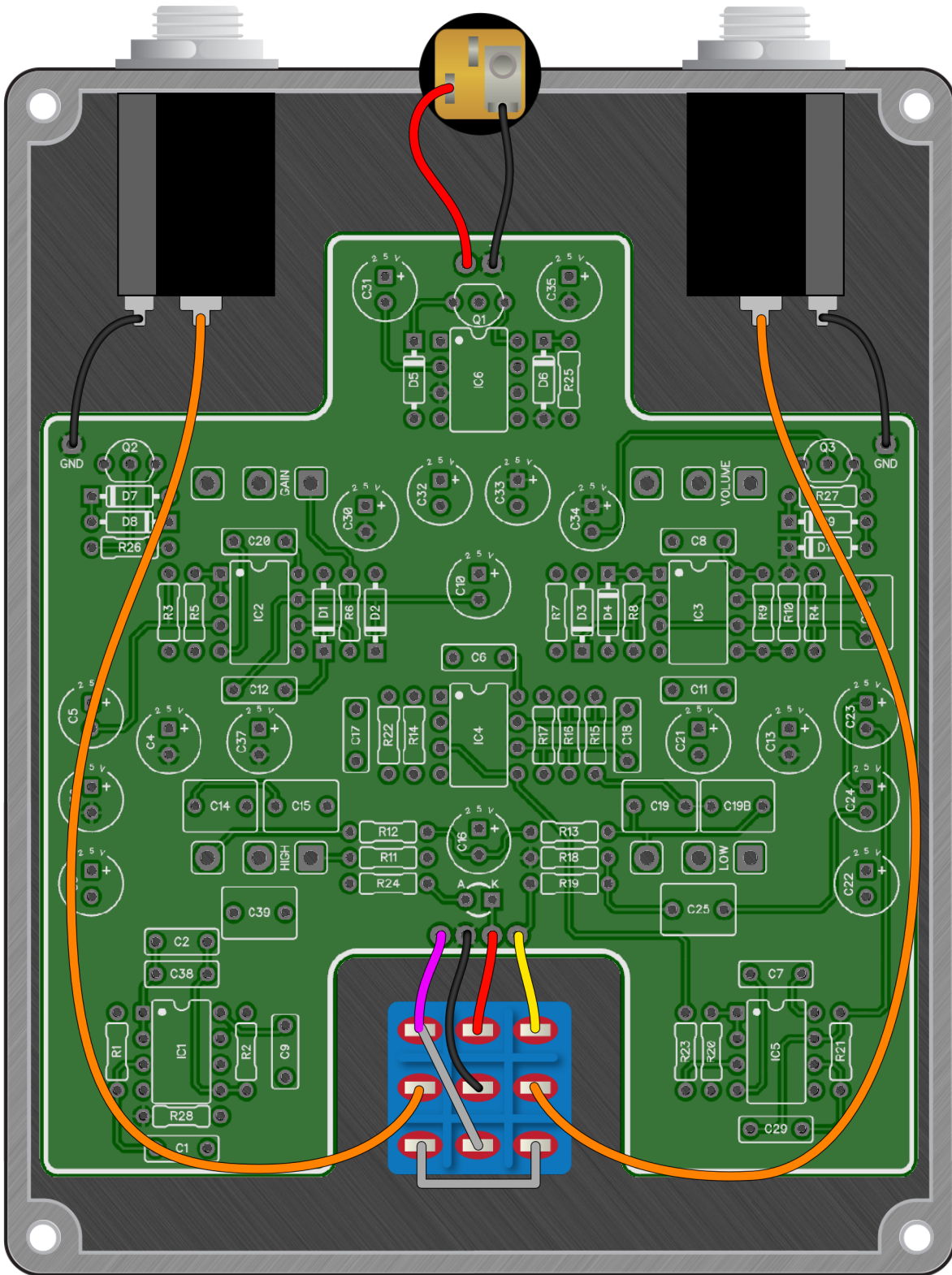
# Courier Overdrive

## Schematic Diagram



# Courier Overdrive

Wiring Diagram



# Courier Overdrive

Drill Template  
1590BB Enclosure

