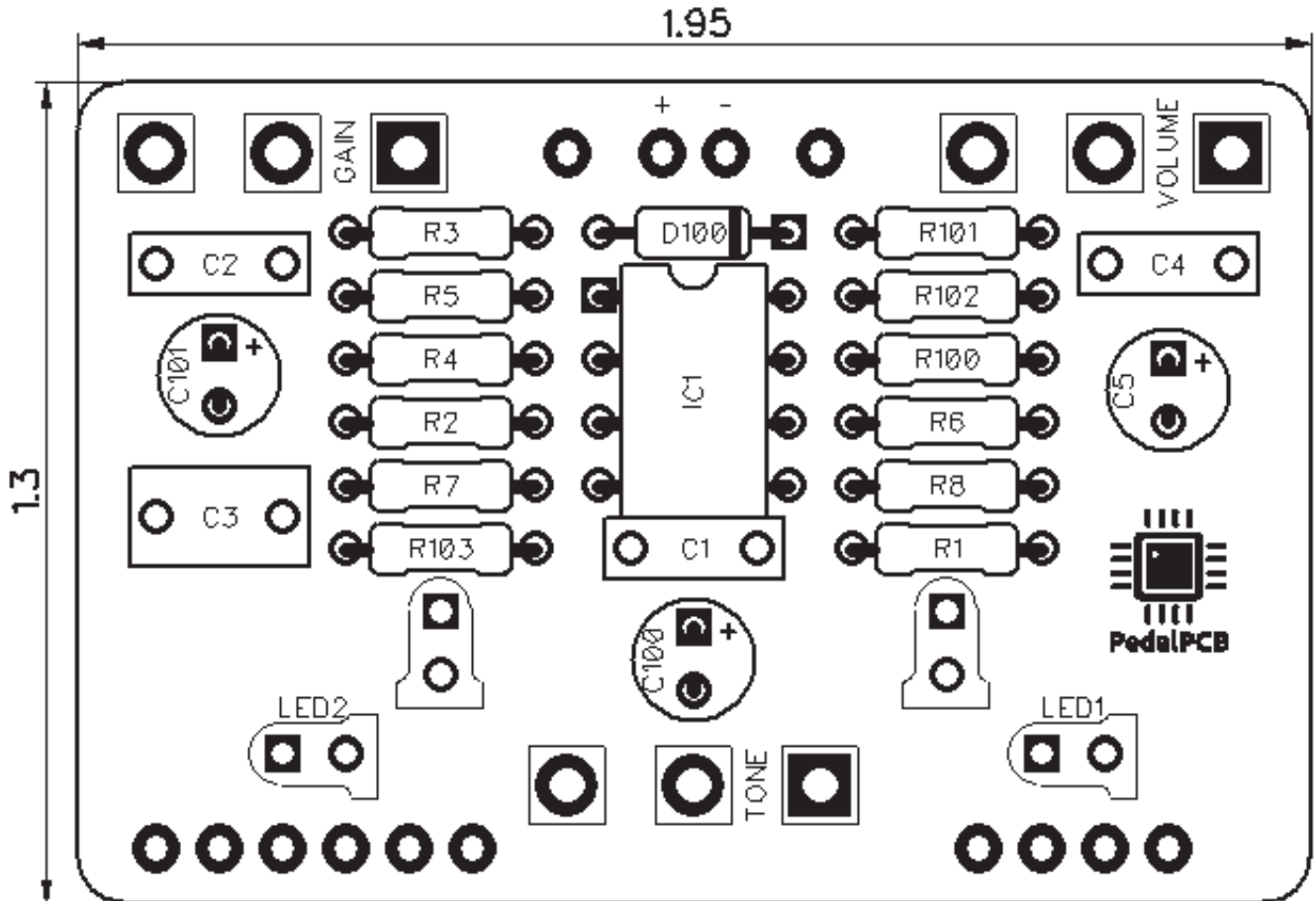




PedalPCB

Counterweight

Revision 02.07.19



Controls

- **Volume**
- **Tone**
- **Gain**
- **Boost** (Footswitch)
- **Bypass** (Footswitch)

All trademarks and registered trademarks are the property of their respective owners. The company, product, and service names used in this web site are for identification purposes only. Use of these names, logos, and brands does not imply endorsement.

Counterweight

Parts List

RESISTORS (1/4W)

R1 1M
R2 470K
R3 150K
R4 2K
R5 7K15
R6 1K
R7 150K
R8 33K
R100 4K7
R101 10K
R102 10K
R103 4K7

CAPACITORS

C1 47n
C2 100p
C3 220n
C4 10n
C5 10u
C100 100u
C101 47u

INTEGRATED CIRCUITS

IC1 NE5532

DIODES

D1 3mm Red LED
D2 3mm Red LED
D100 1N5817

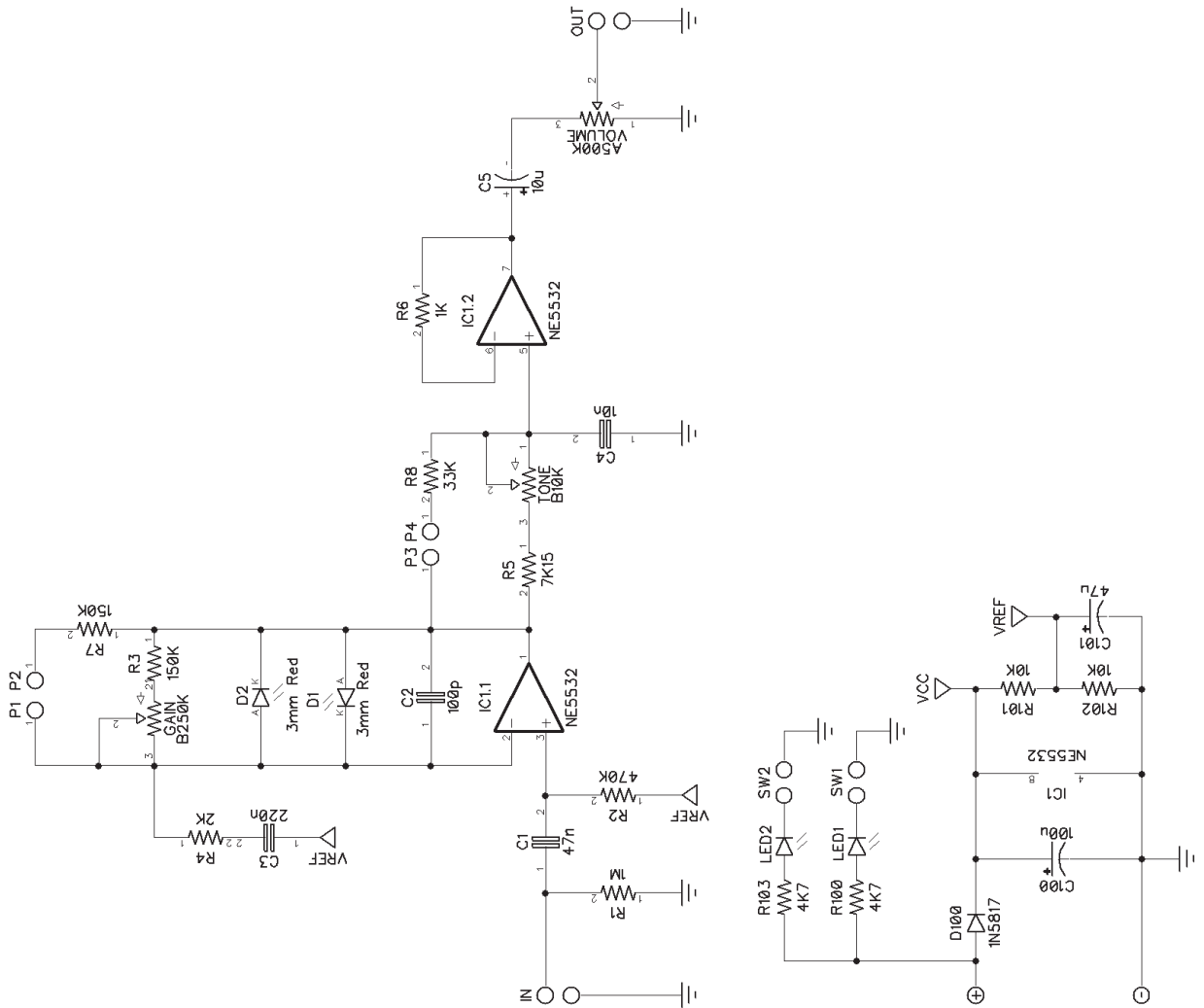
POTENTIOMETERS

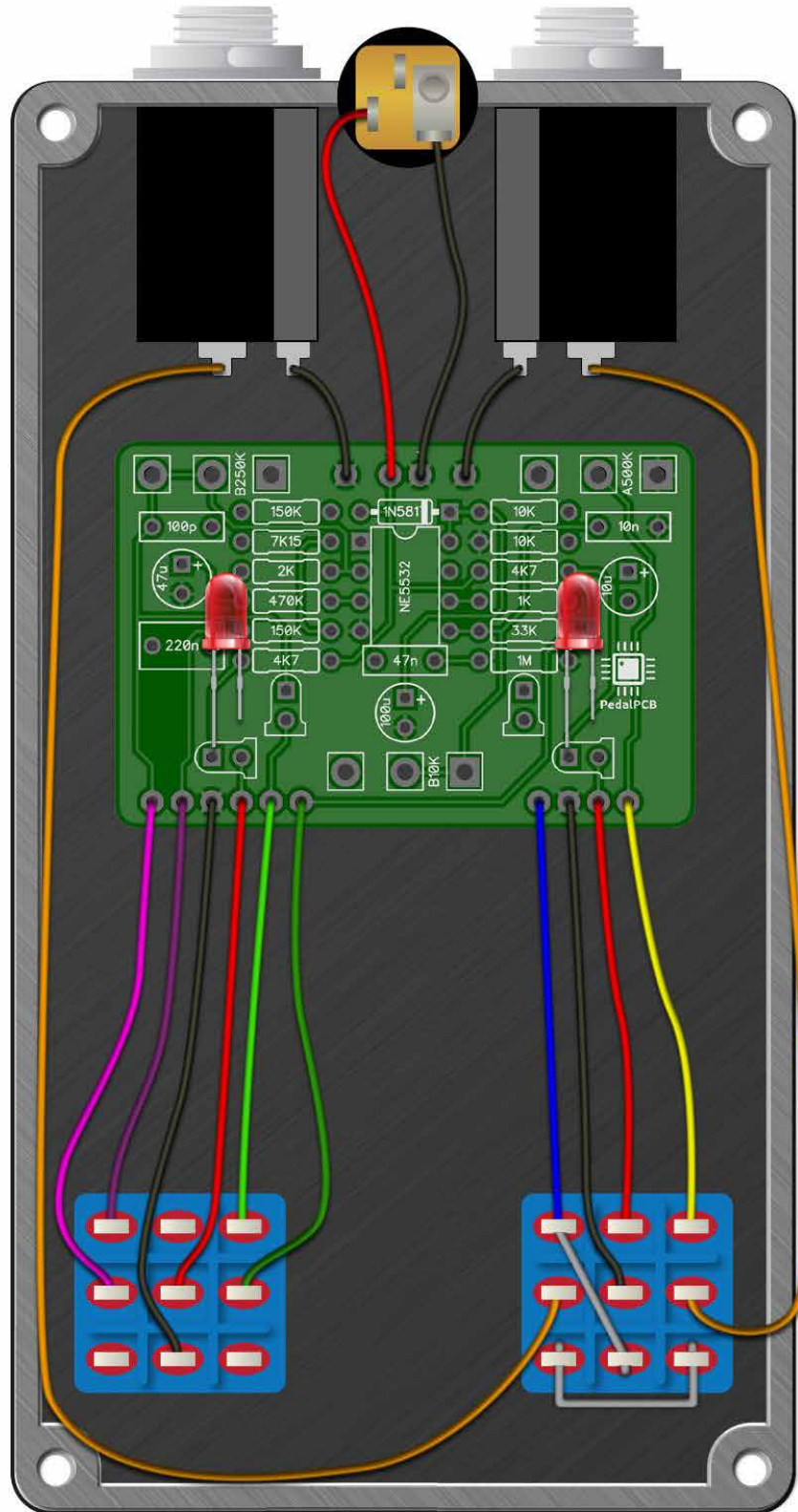
VOLUME A100K
TONE B10K
GAIN B250K

FOOTSWITCHES

SW1 3PDT Latching Footswitch
SW2 3PDT Latching Footswitch

Counterweight





Counterweight

Drill Template
125B enclosure with top mounted jacks

