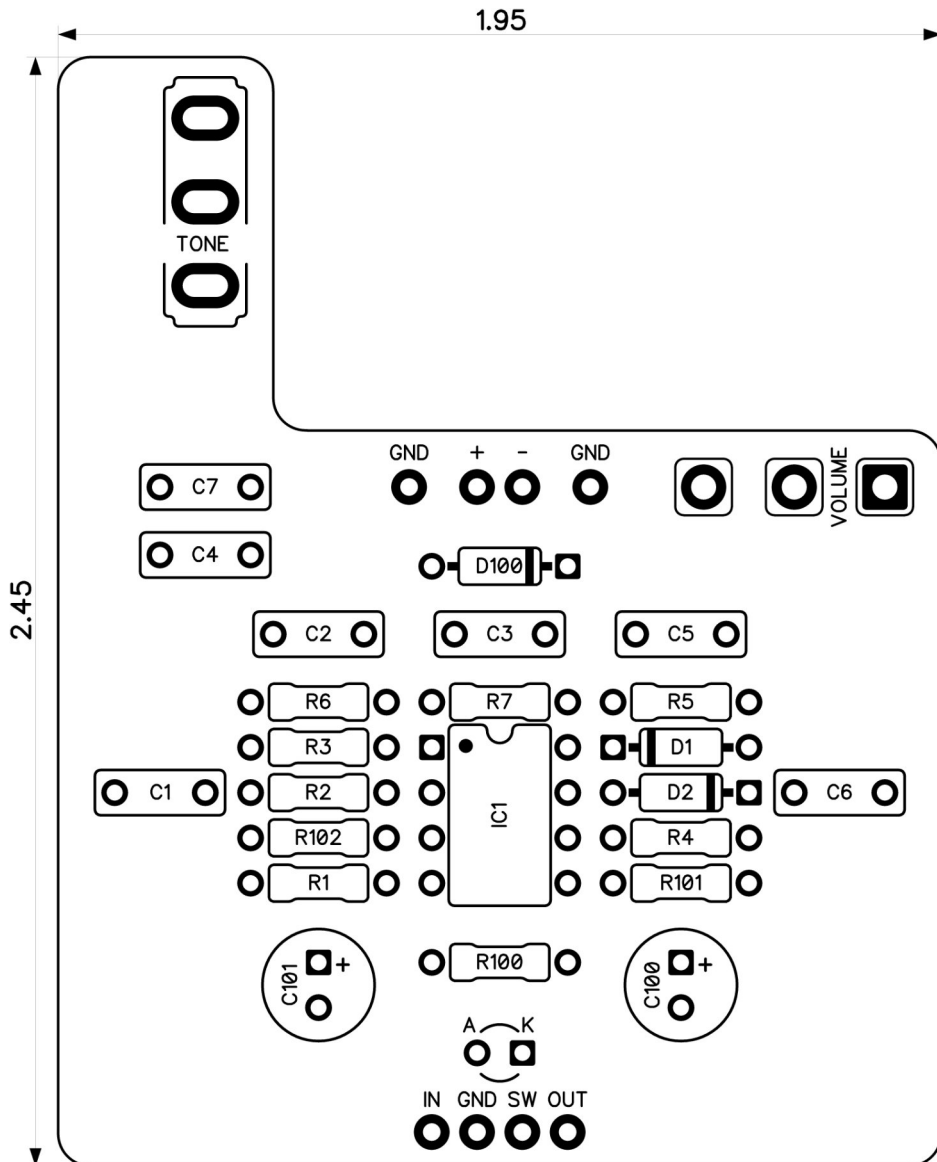


PedalPCB

Corroder Overdrive

Revised 2/7/24



CONTROLS AND FEATURES

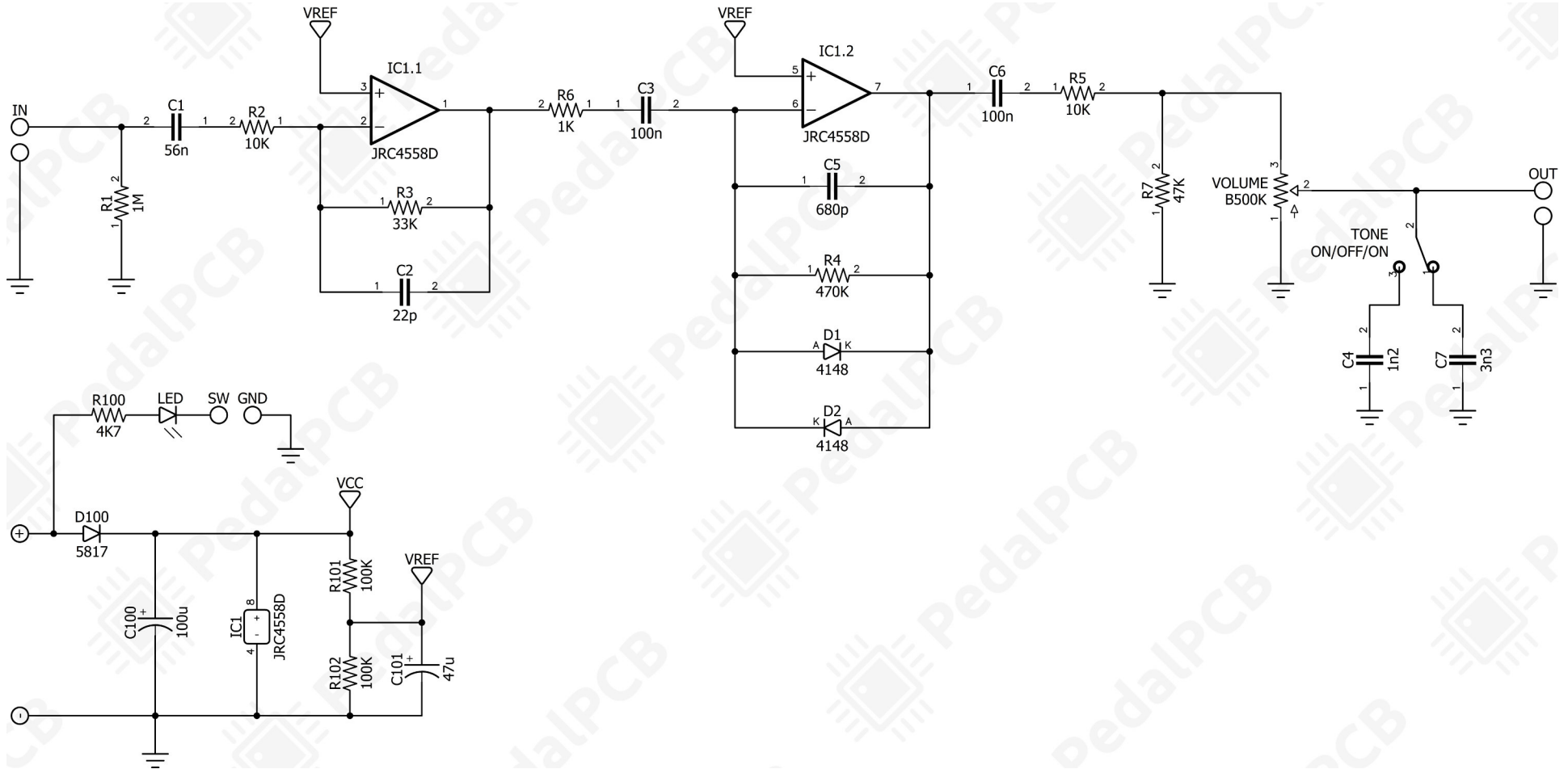
- Volume
- Tone (Toggle switch)

All trademarks and registered trademarks are the property of their respective owners. The company, product, and service names used in this web site are for identification purposes only. Use of these names, logos, and brands does not imply endorsement.

LOCATION	VALUE	TYPE	NOTES
R1	1M	Resistor, 1/4W	
R2	10K	Resistor, 1/4W	
R3	33K	Resistor, 1/4W	
R4	470K	Resistor, 1/4W	
R5	10K	Resistor, 1/4W	
R6	1K	Resistor, 1/4W	
R7	47K	Resistor, 1/4W	
R100	4K7	Resistor, 1/4W	* LED current limiting resistor
R101	100K	Resistor, 1/4W	
R102	100K	Resistor, 1/4W	
C1	56n	Film capacitor, 7.2 x 2.5mm	
C2	22p	Ceramic capacitor	
C3	100n	Film capacitor, 7.2 x 2.5mm	
C4	1n2	Film capacitor, 7.2 x 2.5mm	
C5	680p	Ceramic capacitor	
C6	100n	Film capacitor, 7.2 x 2.5mm	
C7	3n3	Film capacitor, 7.2 x 2.5mm	
C100	100u	Electrolytic capacitor, 5mm	
C101	47u	Electrolytic capacitor, 5mm	
D1	1N4148	Signal diode, DO-35	
D2	1N4148	Signal diode, DO-35	
D100	1N5817	Schottky diode, DO-41	
IC1	JRC4558D	Dual op-amp, DIP8	
VOLUME	B500K	16mm right-angle PCB mount pot	
TONE	ON/OFF/ON	Toggle switch, SPDT	3-position (ON/OFF/ON)

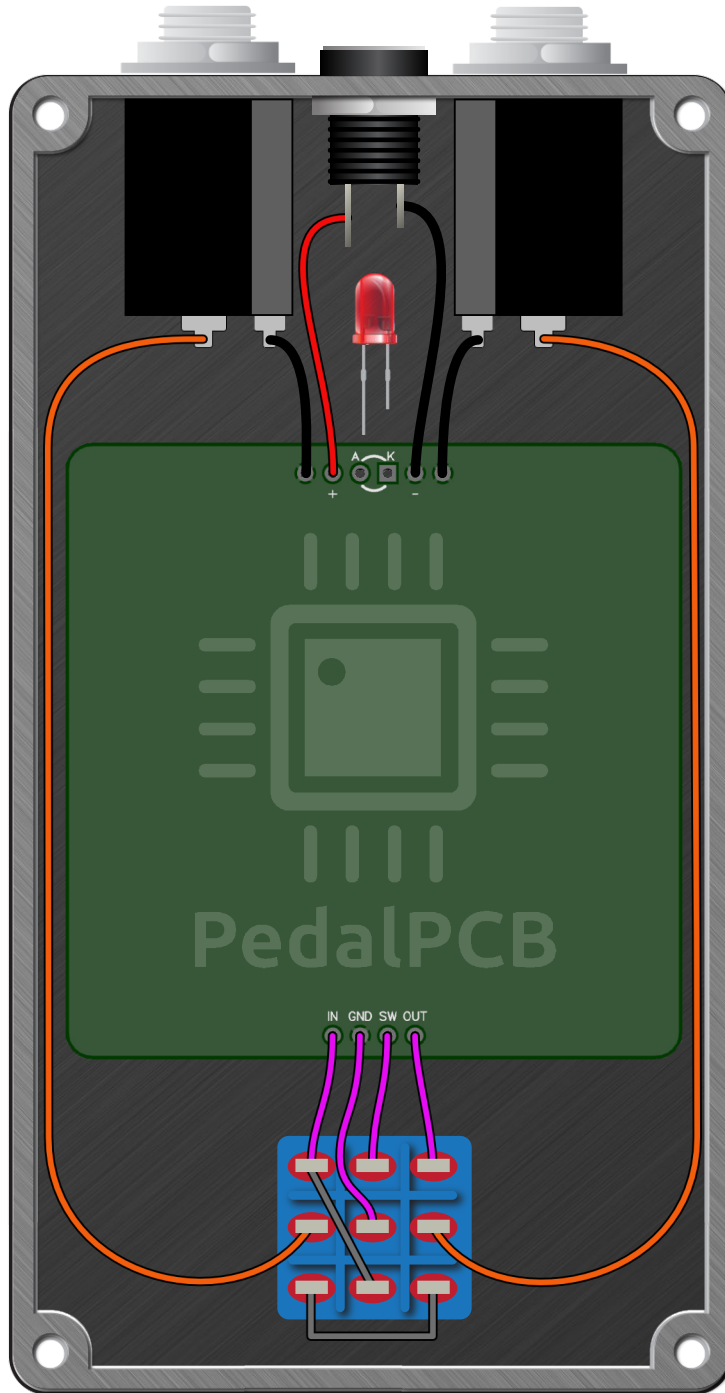
Corroder Overdrive

Schematic Diagram



Corroder Overdrive

Wiring Diagram



Corroder Overdrive

Drill Template
125B Enclosure

