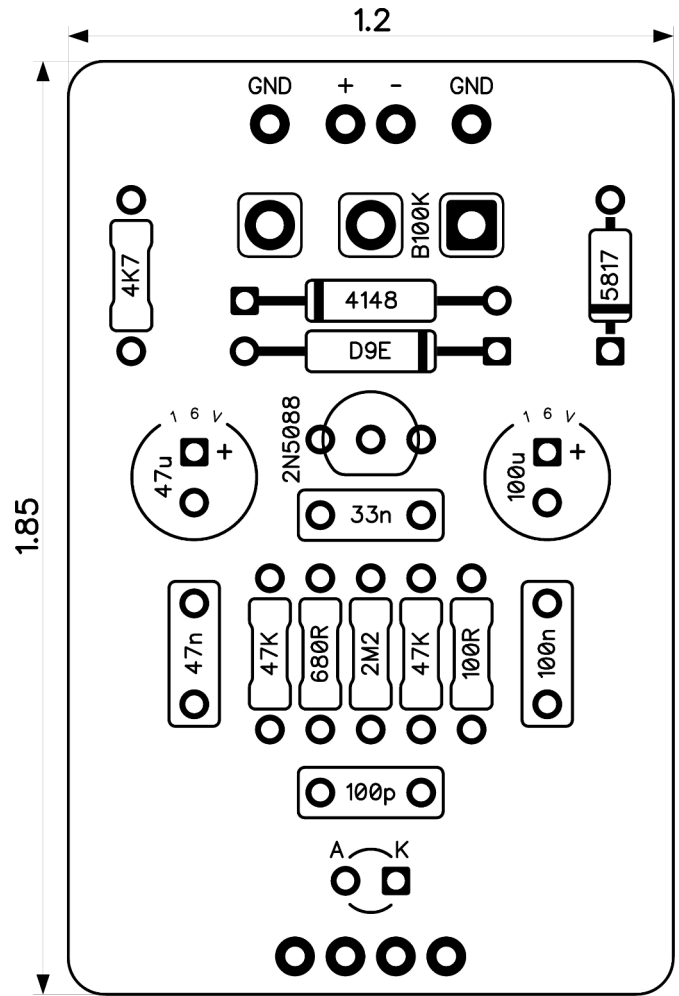
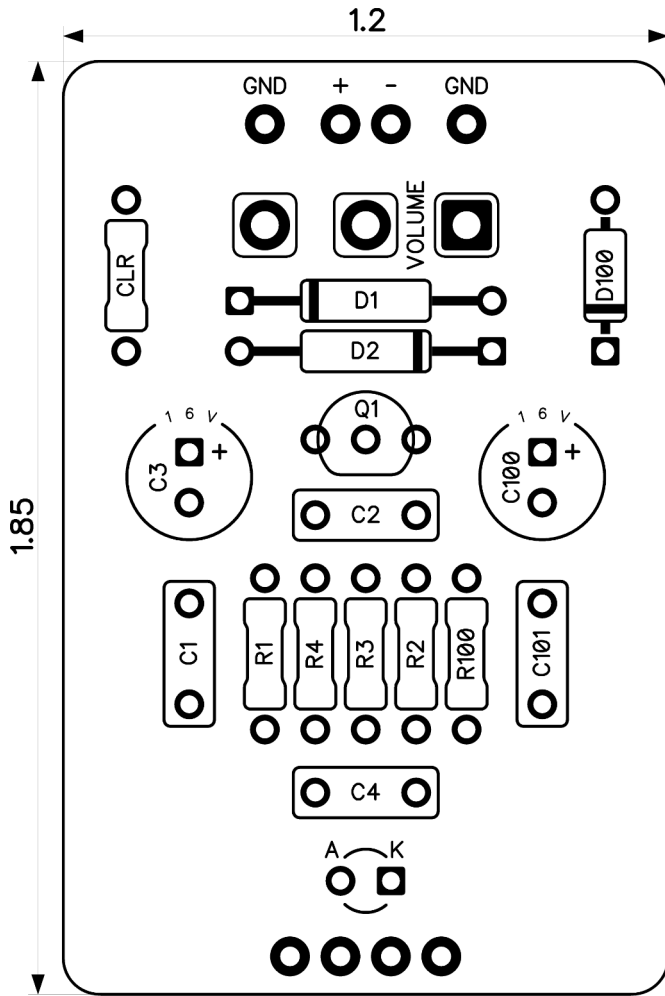


PedalPCB

Copper Clad Fuzz

Revised 5/7/23



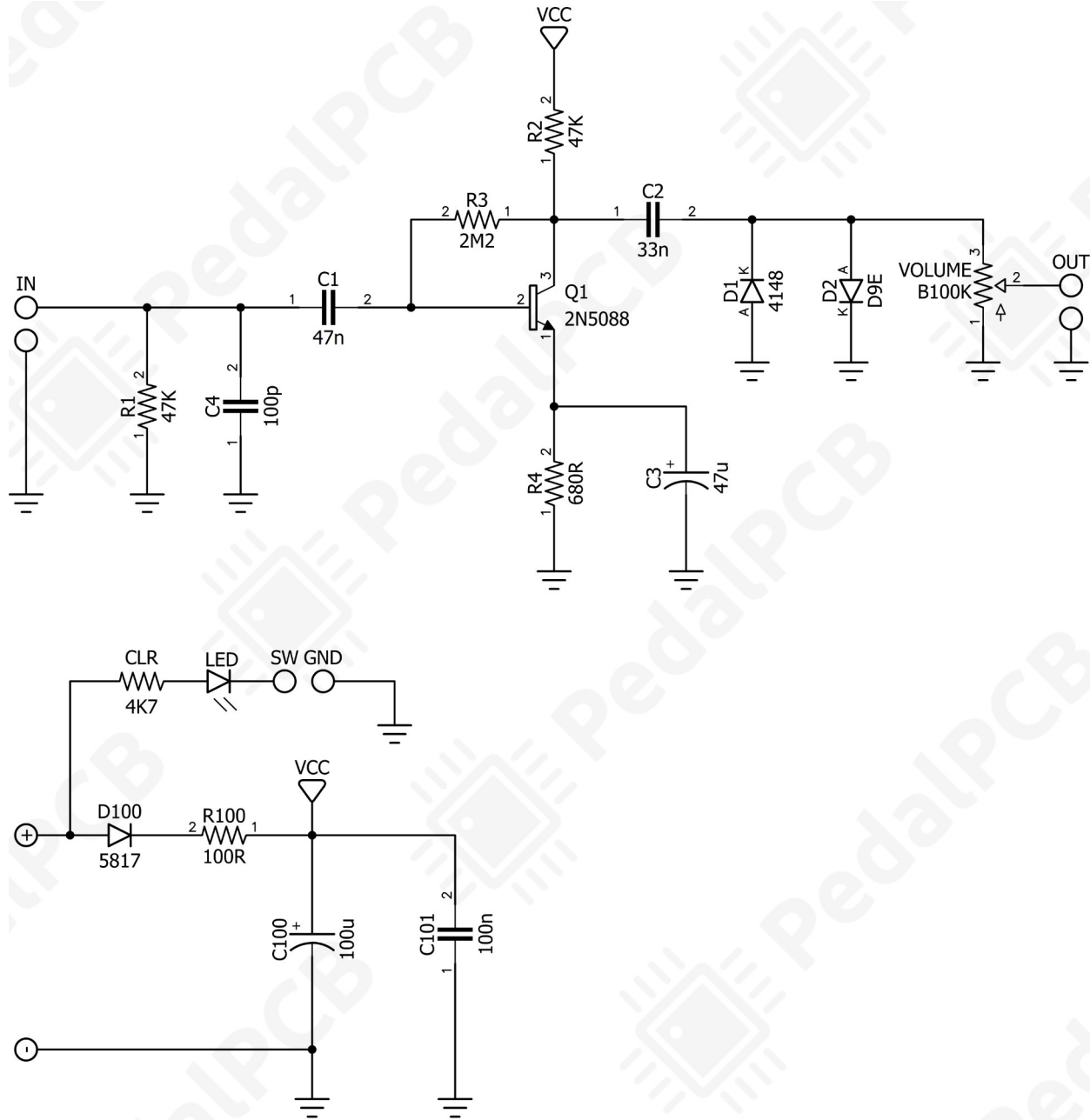
CONTROLS AND FEATURES

- Volume

All trademarks and registered trademarks are the property of their respective owners. The company, product, and service names used in this web site are for identification purposes only. Use of these names, logos, and brands does not imply endorsement.

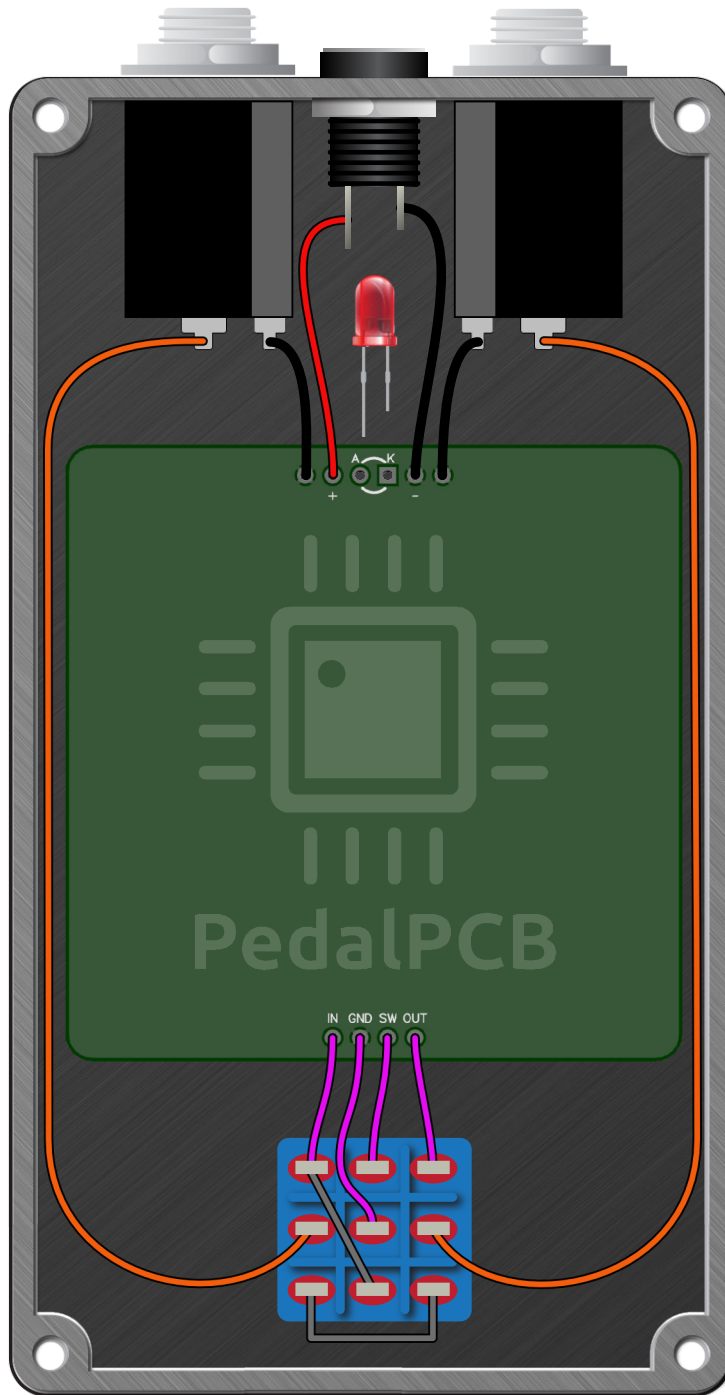
Copper Clad Fuzz

Schematic Diagram



Copper Clad Fuzz

Wiring Diagram



Copper Clad Fuzz

Drill Template
125B Enclosure

