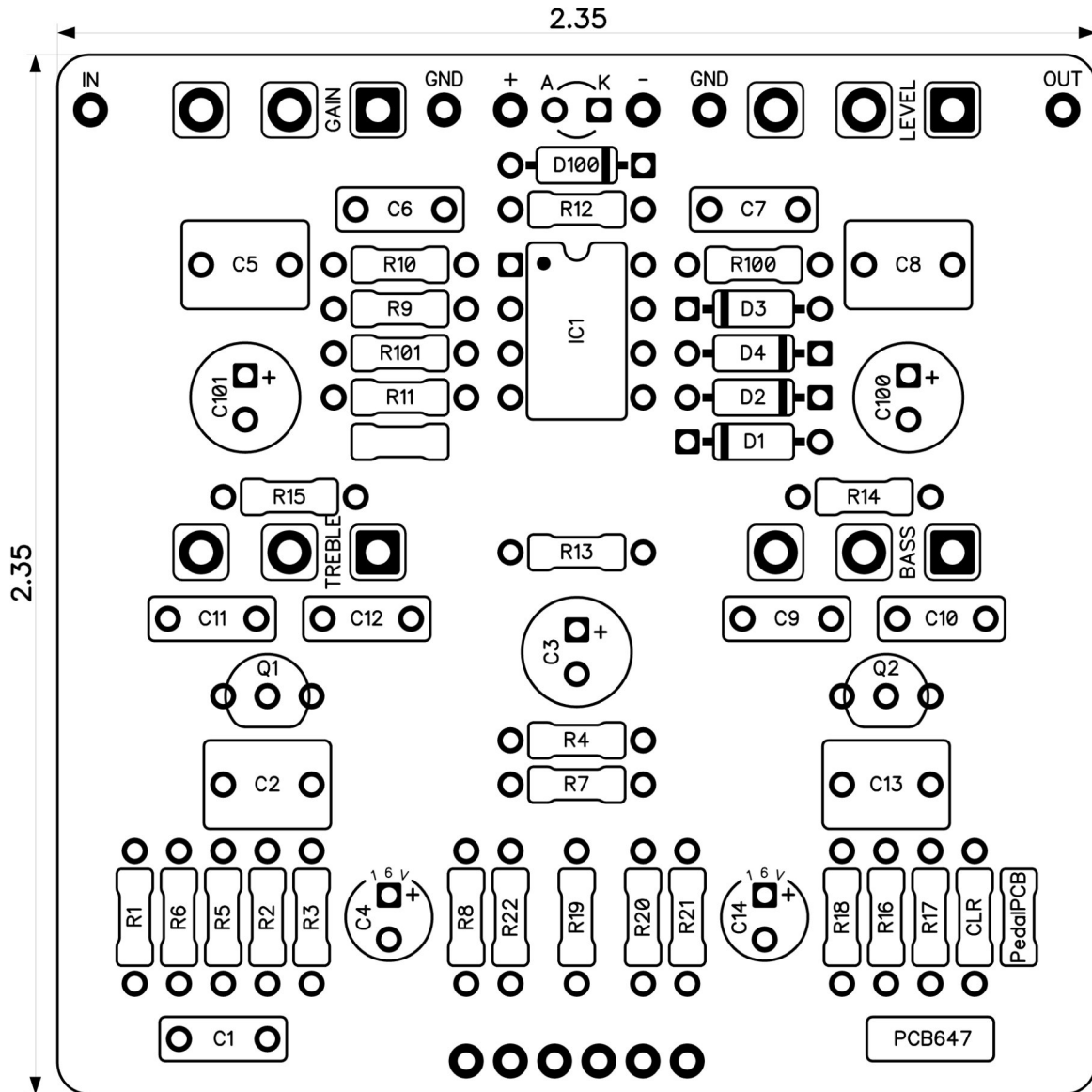


PedalPCB

Concrete Jungle Distortion

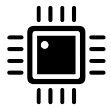
Revised 2/9/24



CONTROLS AND FEATURES

- Level
- Gain
- Bass
- Treble

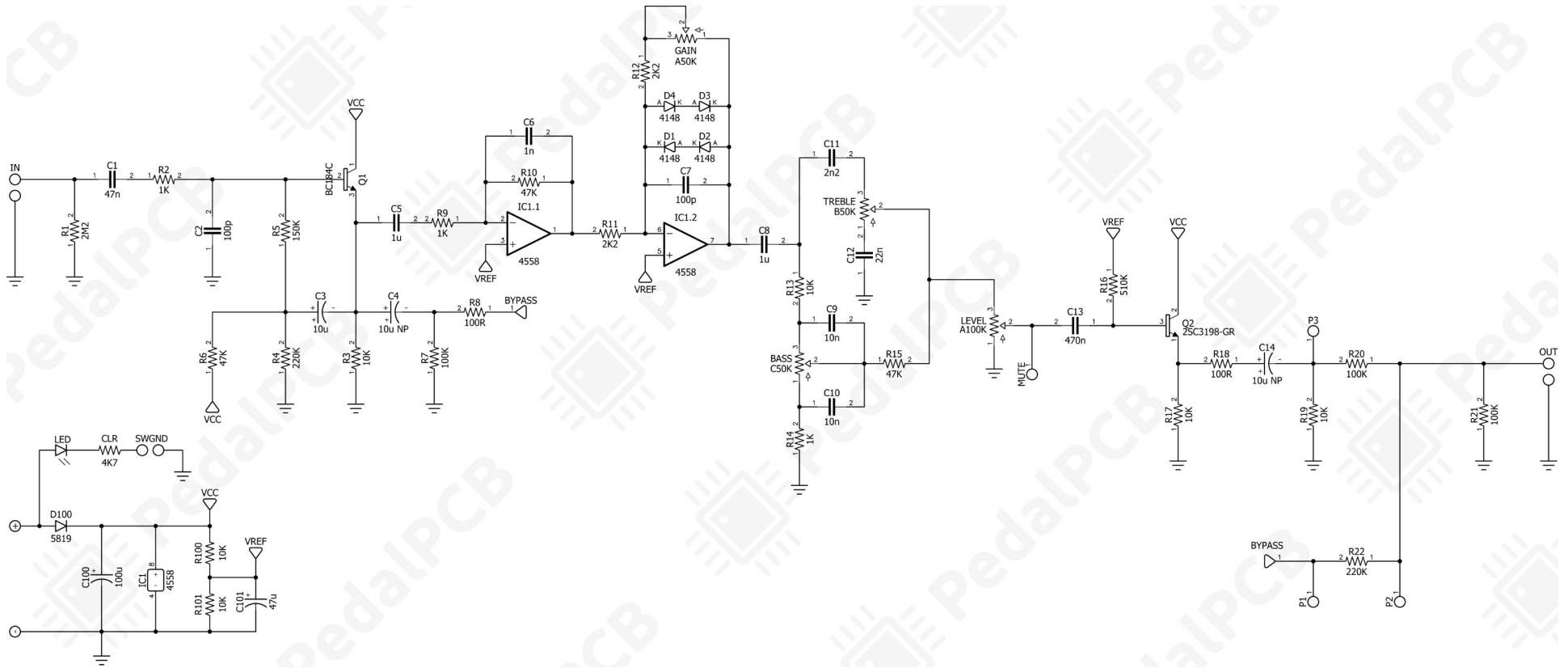
All trademarks and registered trademarks are the property of their respective owners. The company, product, and service names used in this web site are for identification purposes only. Use of these names, logos, and brands does not imply endorsement.



LOCATION	VALUE	TYPE	NOTES
R1	2M2	Resistor, 1/4W	
R2	1K	Resistor, 1/4W	
R3	10K	Resistor, 1/4W	
R4	220K	Resistor, 1/4W	
R5	150K	Resistor, 1/4W	
R6	47K	Resistor, 1/4W	
R7	100K	Resistor, 1/4W	
R8	100R	Resistor, 1/4W	
R9	1K	Resistor, 1/4W	
R10	47K	Resistor, 1/4W	
R11	2K2	Resistor, 1/4W	
R12	2K2	Resistor, 1/4W	
R13	10K	Resistor, 1/4W	
R14	1K	Resistor, 1/4W	
R15	47K	Resistor, 1/4W	
R16	510K	Resistor, 1/4W	
R17	10K	Resistor, 1/4W	
R18	100R	Resistor, 1/4W	
R19	10K	Resistor, 1/4W	
R20	100K	Resistor, 1/4W	
R21	100K	Resistor, 1/4W	
R22	220K	Resistor, 1/4W	
R100	10K	Resistor, 1/4W	
R101	10K	Resistor, 1/4W	
CLR	4K7	Resistor, 1/4W	* LED current limiting resistor
C1	47n	Film capacitor, 7.2 x 2.5mm	
C2	100p	Ceramic capacitor	
C3	10u	Electrolytic capacitor, 5mm	
C4	10u NP	Electrolytic capacitor, 5mm	Non-polarized
C5	1u	Film capacitor, 7.2 x 5.0mm	
C6	1n	Film capacitor, 7.2 x 2.5mm	
C7	100p	Ceramic capacitor	
C8	1u	Film capacitor, 7.2 x 5.0mm	
C9	10n	Film capacitor, 7.2 x 2.5mm	
C10	10n	Film capacitor, 7.2 x 2.5mm	
C11	2n2	Film capacitor, 7.2 x 2.5mm	
C12	22n	Film capacitor, 7.2 x 2.5mm	
C13	470n	Film capacitor, 7.2 x 5.0mm	
C14	10u NP	Electrolytic capacitor, 5mm	Non-polarized
C100	100u	Electrolytic capacitor, 5mm	
C101	47u	Electrolytic capacitor, 5mm	
D1	1N4148	Signal diode, DO-35	
D2	1N4148	Signal diode, DO-35	
D3	1N4148	Signal diode, DO-35	
D4	1N4148	Signal diode, DO-35	
D100	1N5819	Schottky diode, DO-41	
Q1	BC184C	BJT transistor, NPN TO-92	
Q2	2SC3198-GR	BJT transistor, NPN TO-92	
IC1	NJM4558D	Dual op-amp, DIP8	
LEVEL	A100K	16mm right-angle PCB mount pot	
GAIN	A50K	16mm right-angle PCB mount pot	
BASS	C50K	16mm right-angle PCB mount pot	
TREBLE	B50K	16mm right-angle PCB mount pot	

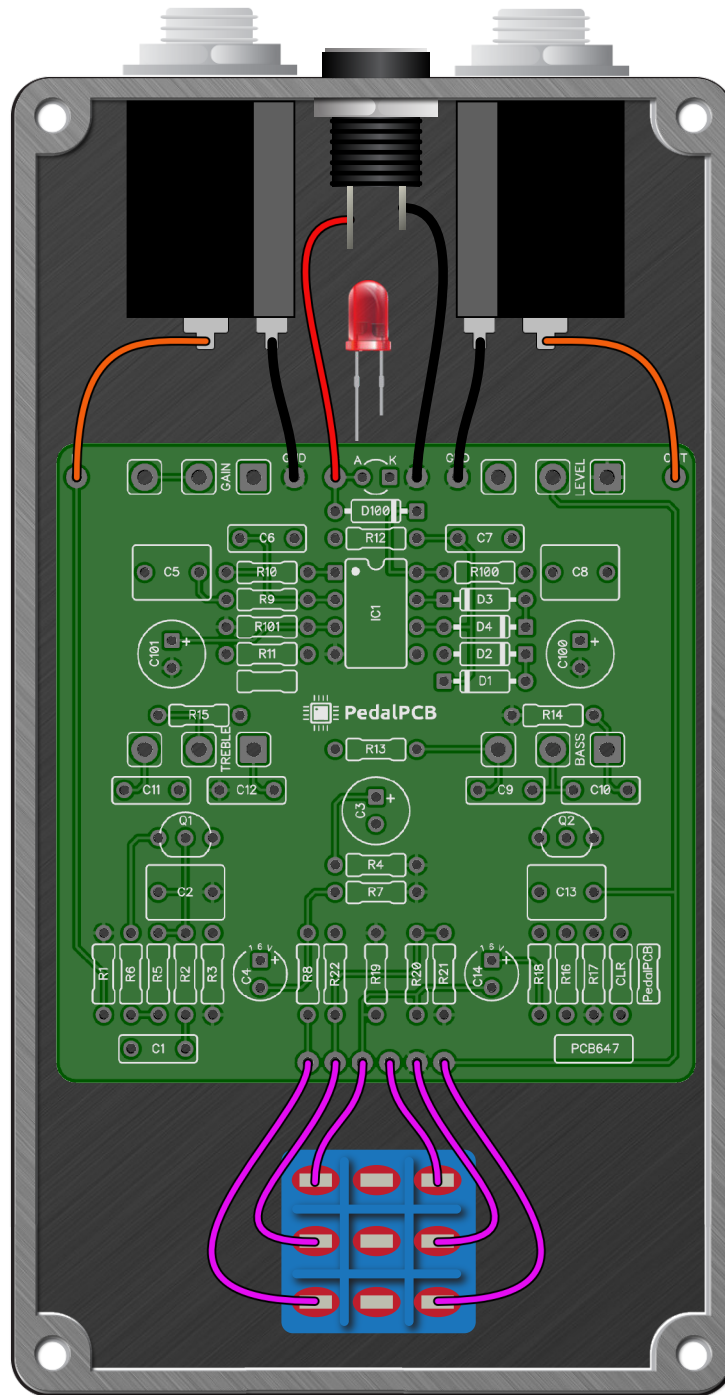
Concrete Jungle Distortion

Schematic Diagram



Concrete Jungle Distortion

Wiring Diagram



Concrete Jungle Distortion

Drill Template
125B Enclosure

