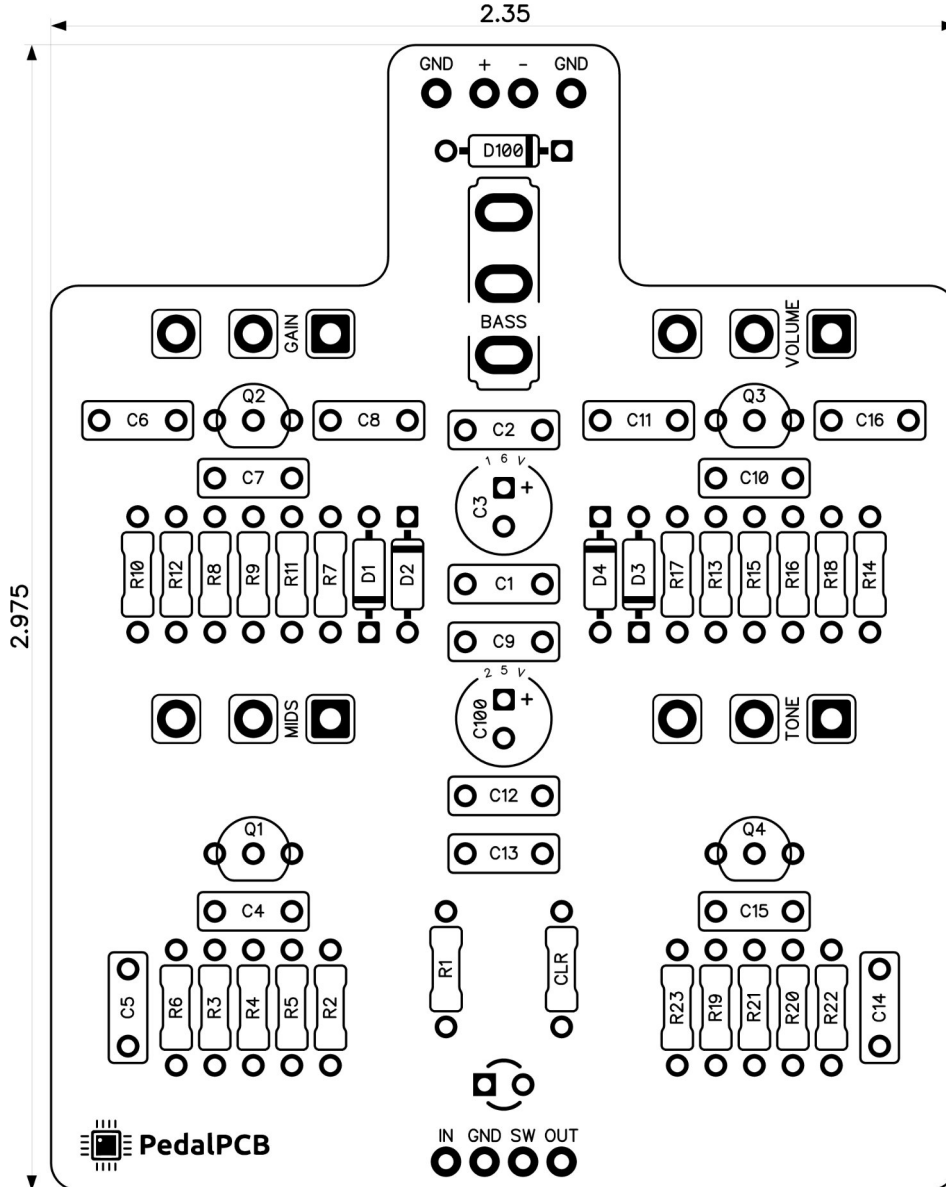


PedalPCB

Colossal Muffin

Revised 12/14/23



CONTROLS AND FEATURES

- Volume
- Gain
- Tone
- Mids
- Bass (Toggle switch)

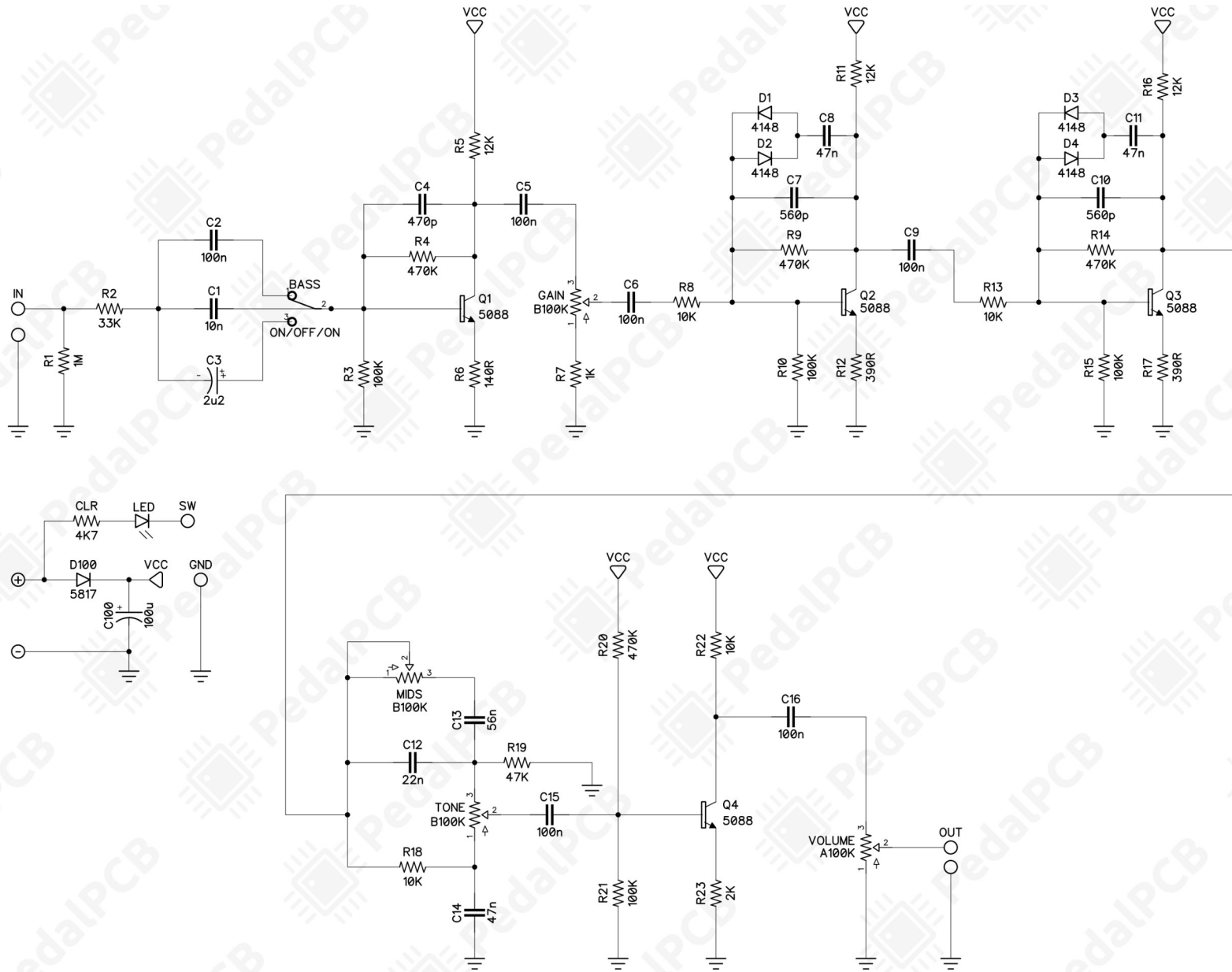
All trademarks and registered trademarks are the property of their respective owners. The company, product, and service names used in this web site are for identification purposes only. Use of these names, logos, and brands does not imply endorsement.

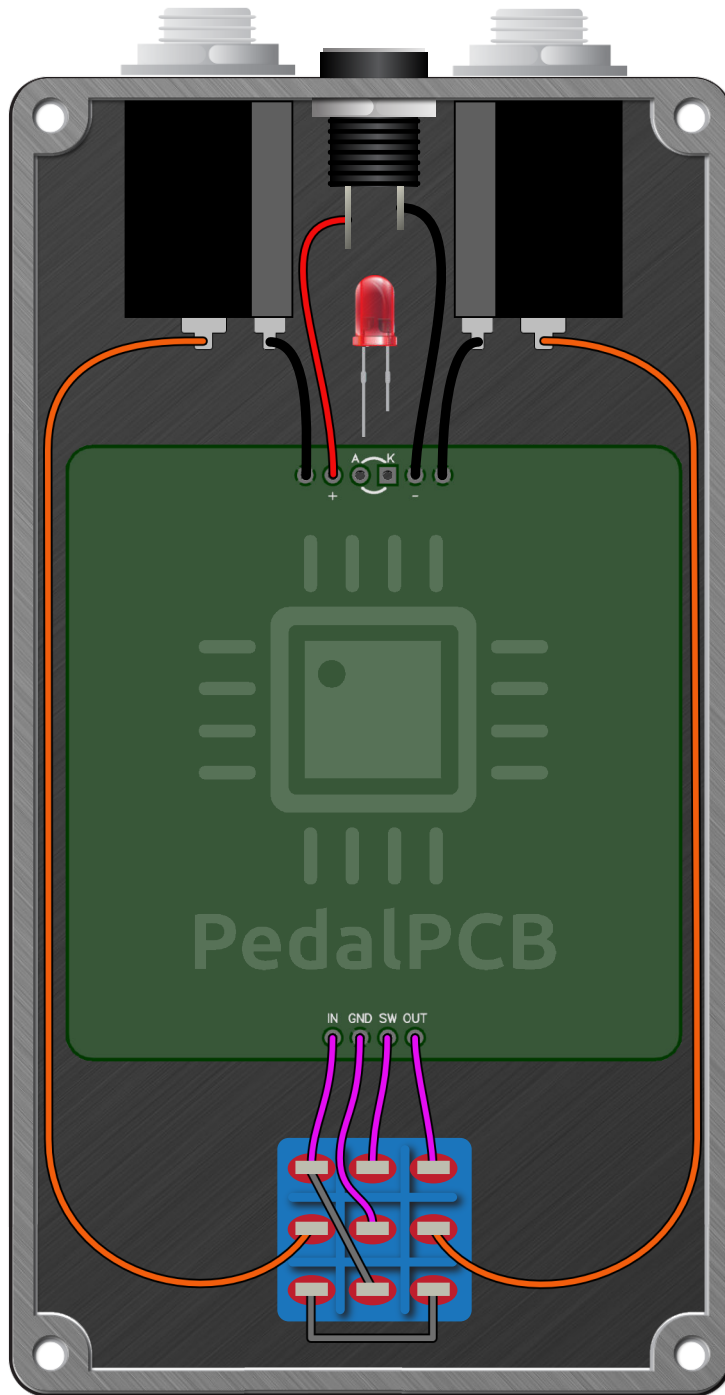
LOCATION	VALUE	TYPE	NOTES
R1	1M	Resistor, 1/4W	
R2	33K	Resistor, 1/4W	
R3	100K	Resistor, 1/4W	
R4	470K	Resistor, 1/4W	
R5	12K	Resistor, 1/4W	
R6	140R	Resistor, 1/4W	
R7	1K	Resistor, 1/4W	
R8	10K	Resistor, 1/4W	
R9	470K	Resistor, 1/4W	
R10	100K	Resistor, 1/4W	
R11	12K	Resistor, 1/4W	
R12	390R	Resistor, 1/4W	
R13	10K	Resistor, 1/4W	
R14	470K	Resistor, 1/4W	
R15	100K	Resistor, 1/4W	
R16	12K	Resistor, 1/4W	
R17	390R	Resistor, 1/4W	
R18	10K	Resistor, 1/4W	
R19	47K	Resistor, 1/4W	
R20	470K	Resistor, 1/4W	
R21	100K	Resistor, 1/4W	
R22	10K	Resistor, 1/4W	
R23	2K	Resistor, 1/4W	
CLR	4K7	Resistor, 1/4W	* LED current limiting resistor
C1	10n	Film capacitor, 7.2 x 2.5mm	
C2	100n	Film capacitor, 7.2 x 2.5mm	
C3	2u2	Electrolytic capacitor, 5mm	
C4	470p	Ceramic capacitor	
C5	100n	Film capacitor, 7.2 x 2.5mm	
C6	100n	Film capacitor, 7.2 x 2.5mm	
C7	560p	Ceramic capacitor	
C8	47n	Film capacitor, 7.2 x 2.5mm	
C9	100n	Film capacitor, 7.2 x 2.5mm	
C10	560p	Ceramic capacitor	
C11	47n	Film capacitor, 7.2 x 2.5mm	
C12	22n	Film capacitor, 7.2 x 2.5mm	
C13	56n	Film capacitor, 7.2 x 2.5mm	
C14	47n	Film capacitor, 7.2 x 2.5mm	
C15	100n	Film capacitor, 7.2 x 2.5mm	
C16	100n	Film capacitor, 7.2 x 2.5mm	
C100	100u	Electrolytic capacitor, 5mm	
		<i>Continued on next page...</i>	

LOCATION	VALUE	TYPE	NOTES
D1	1N4148	Signal diode, DO-35	
D2	1N4148	Signal diode, DO-35	
D3	1N4148	Signal diode, DO-35	
D4	1N4148	Signal diode, DO-35	
D100	1N5817	Schottky diode, DO-41	
Q1	2N5088	BJT transistor, NPN TO-92	
Q2	2N5088	BJT transistor, NPN TO-92	
Q3	2N5088	BJT transistor, NPN TO-92	
Q4	2N5088	BJT transistor, NPN TO-92	
VOLUME	A100K	16mm right-angle PCB mount pot	
GAIN	B100K	16mm right-angle PCB mount pot	
TONE	B100K	16mm right-angle PCB mount pot	
MIDS	B100K	16mm right-angle PCB mount pot	
BASS	ON/OFF/ON	Toggle switch, SPDT	3-position (ON/OFF/ON)

Colossal Muffin

Schematic Diagram





Colossal Muffin

Drill Template
125B Enclosure

