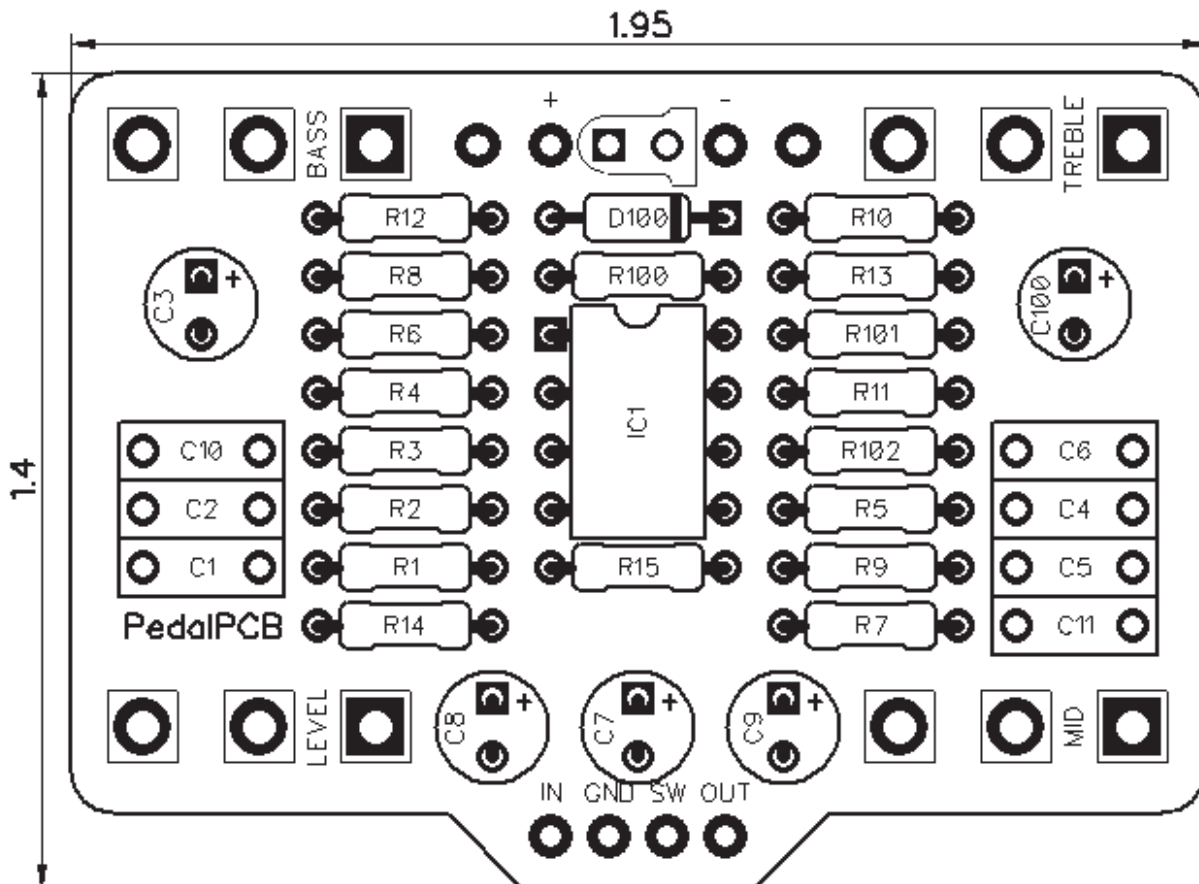




# PedalPCB

## Cold Turkey EQ

Revision 12.16.18



### Controls

- Treble
- Bass
- Level

All trademarks and registered trademarks are the property of their respective owners. The company, product, and service names used in this web site are for identification purposes only. Use of these names, logos, and brands does not imply endorsement.

# Cold Turkey EQ

## Parts List

**RESISTORS (1/4W)**

R1 10M  
R2 2K2  
R3 2M2  
R4 10K  
R5 33K  
R6 1K  
R7 4K7  
R8 4K7  
R9 6K8  
R10 1K  
R11 4K7  
R12 4K7  
R13 27R  
R14 100K  
R15 33K  
R100 4K7  
R101 100K  
R102 100K

**CAPACITORS**

C1 47p  
C2 68n  
C3 1u  
C4 10n  
C5 22n  
C6 470p  
C7 2u2  
C8 1u  
C9 4u7  
C10 100n  
C11 33n  
C100 100u

**INTEGRATED CIRCUITS**

IC1 JRC4558

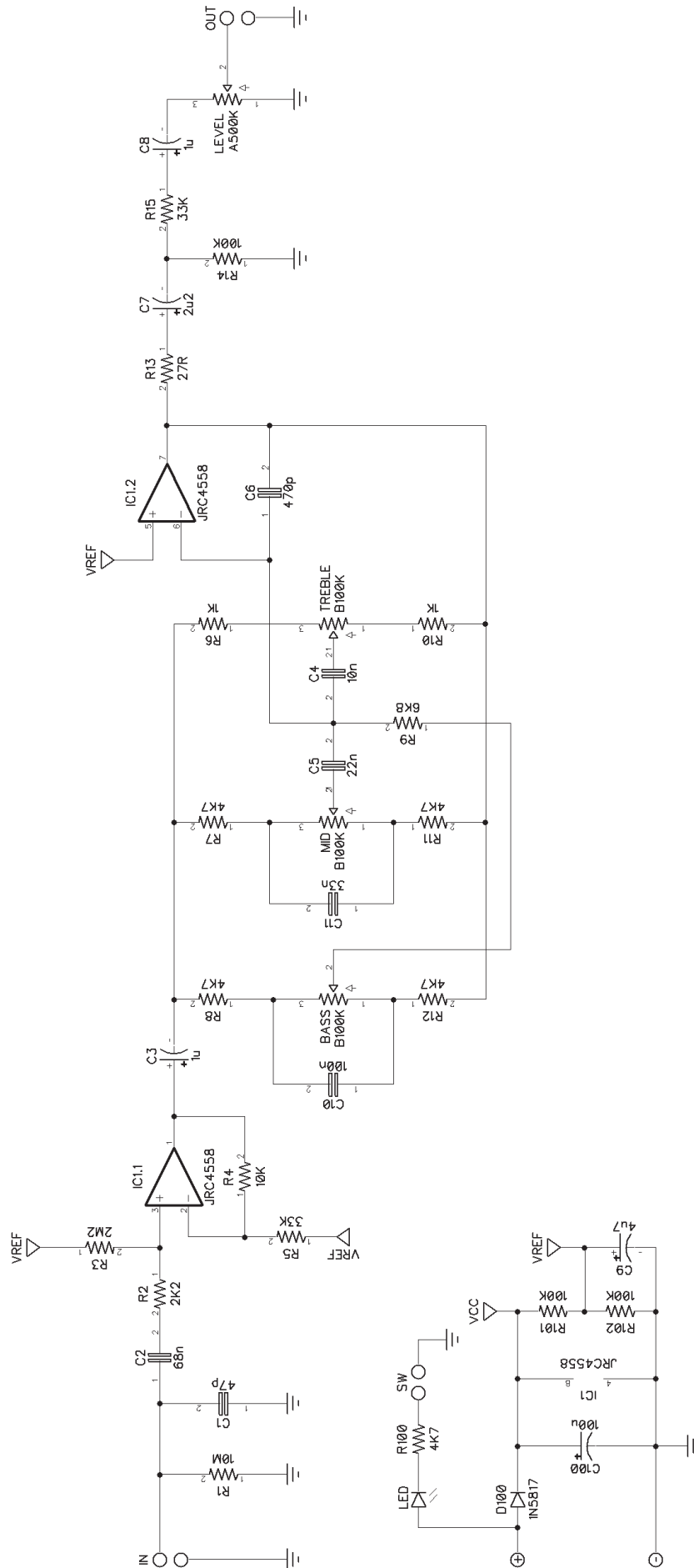
**DIODES**

D100 1N5817

**POTENTIOMETERS**

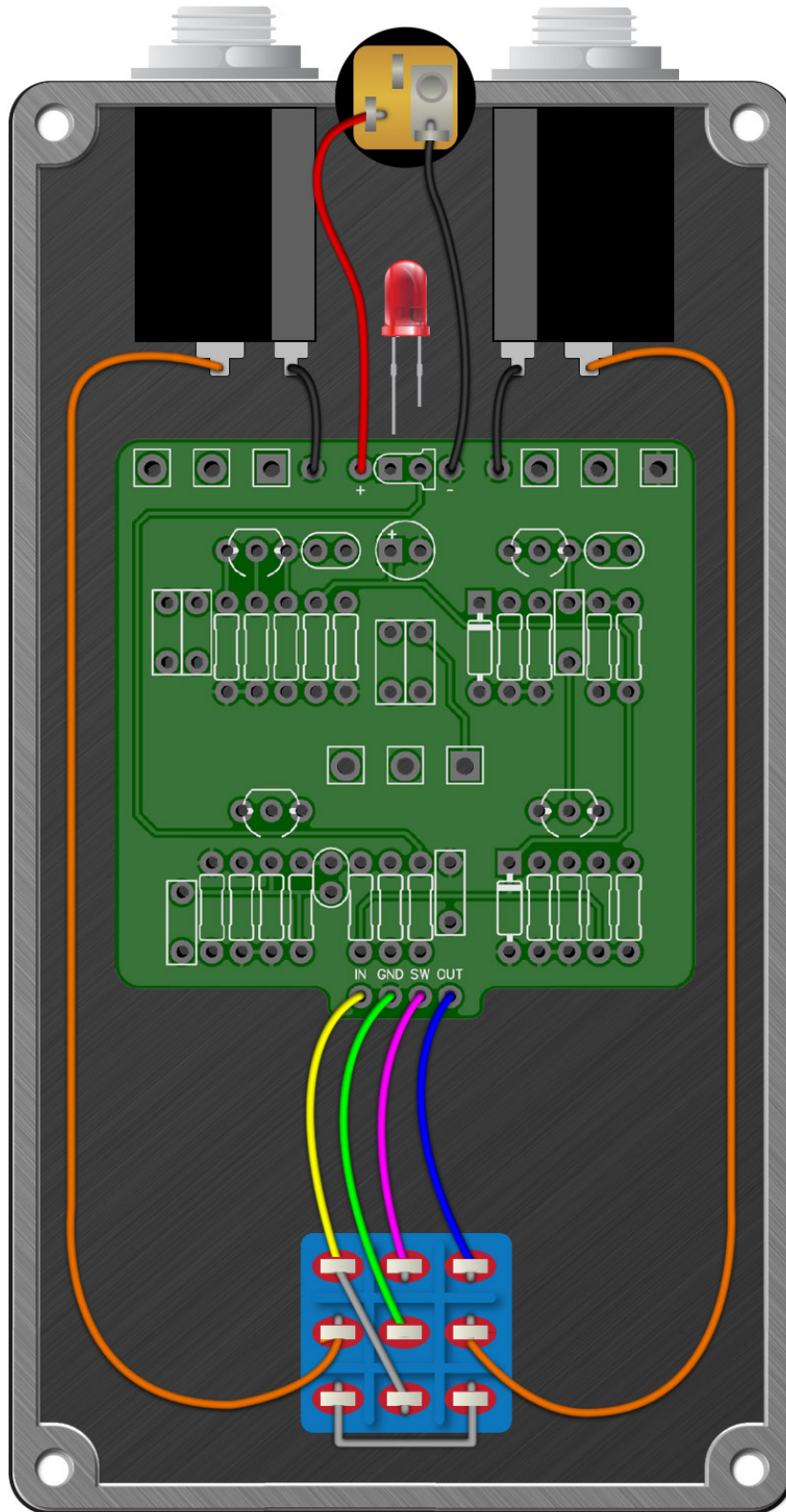
LEVEL A500K  
TREBLE B100K  
BASS B100K  
MID B100K

# Cold Turkey EQ



# Cold Turkey EQ

Wiring Diagram



# Cold Turkey EQ

Drill Template  
125B enclosure with top mounted jacks

