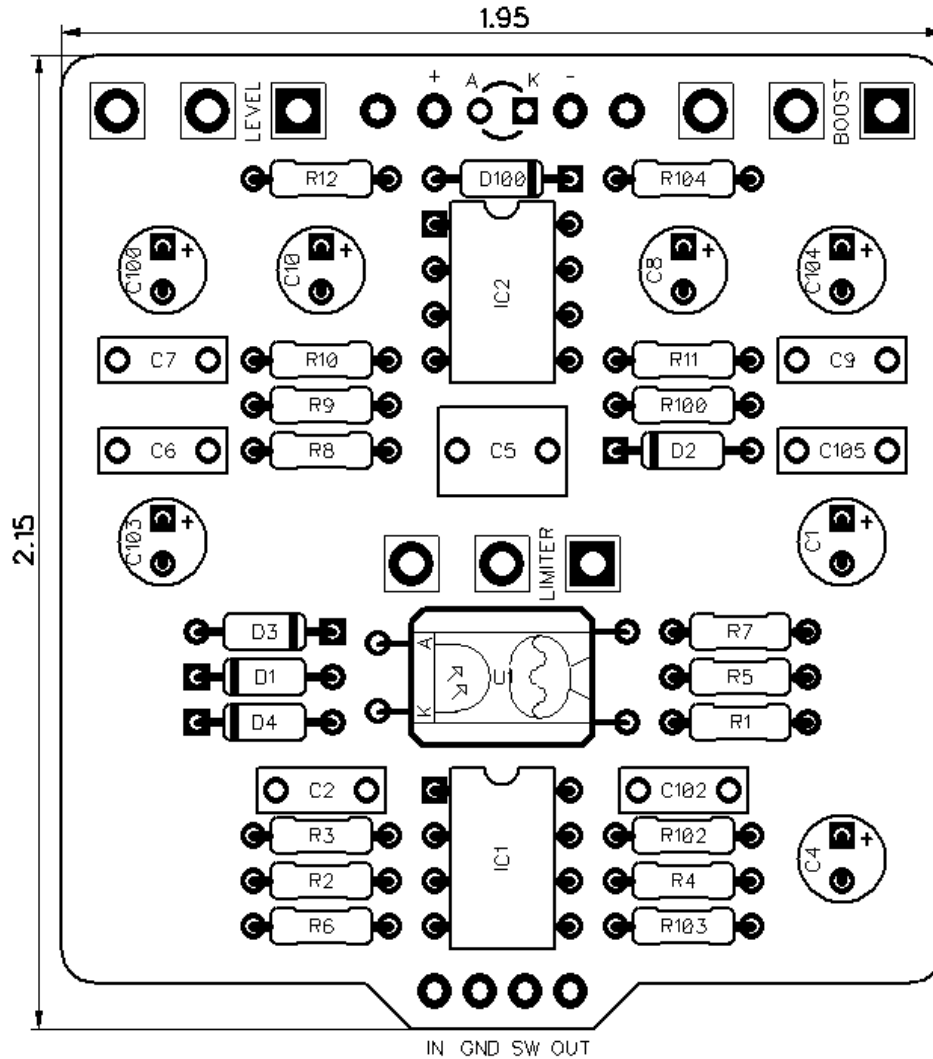


PedalPCB

Closed Circuit Booster / Limiter

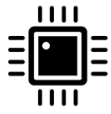
Revision 12.28.19



Controls

- Level
- Boost
- Limiter

All trademarks and registered trademarks are the property of their respective owners. The company, product, and service names used in this web site are for identification purposes only. Use of these names, logos, and brands does not imply endorsement.



PedalPCB Closed Circuit Booster / Limiter

Parts List

RESISTORS (1/4W)

R1	2K
R2	1M
R3	15K
R4	10K
R5	1K
R6	2K
R7	10K
R8	2K
R9	8K2
R10	2K
R11	10R
R12	10R
R100	4K7
R102	10K
R103	10K
R104	10R

CAPACITORS

C1	1u
C2	120p
C4	10u
C5	1u
C6	1n
C7	100n
C8	10u
C9	100n
C10	10u
C100	100u
C102	100n
C103	10u
C104	10u
C105	100n

INTEGRATED CIRCUITS

IC1	RC4558
IC2	LM386N-1

DIODES

D1	BAT42
D2	BAT42
D3	BAT42
D4	BAT42
D100	1N5817

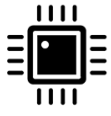
POTENTIOMETERS

LEVEL	B1K
BOOST	B100K
LIMITER	A100K

OPTOISOLATORS

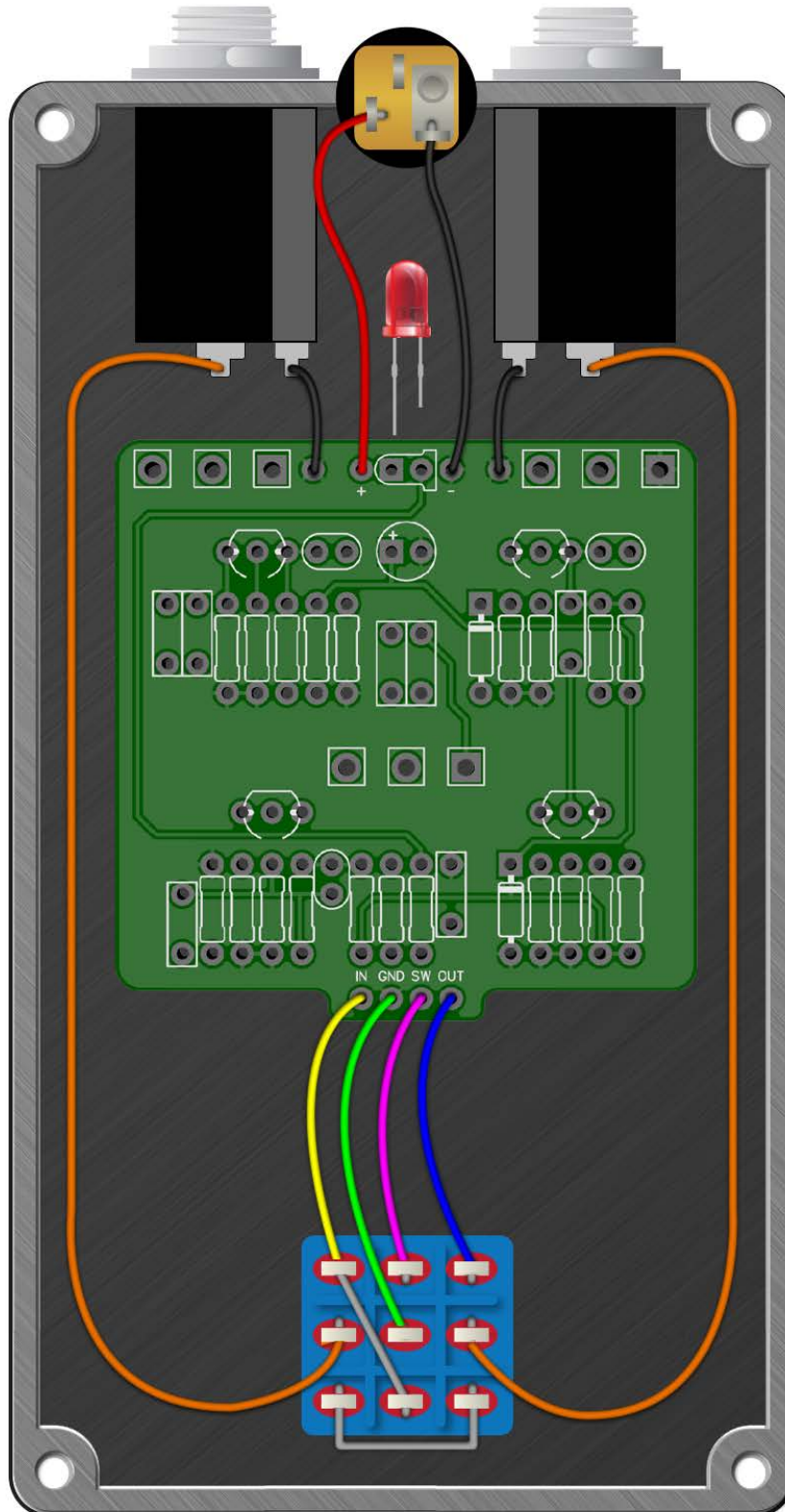
U1	NSL-32
----	--------

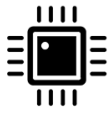
Common offboard components (enclosure, footswitch, jacks, etc) are not listed



PedalPCB Closed Circuit Booster / Limiter

Wiring Diagram





PedalPCB

Closed Circuit Booster / Limiter

Drill Template
125B Enclosure

