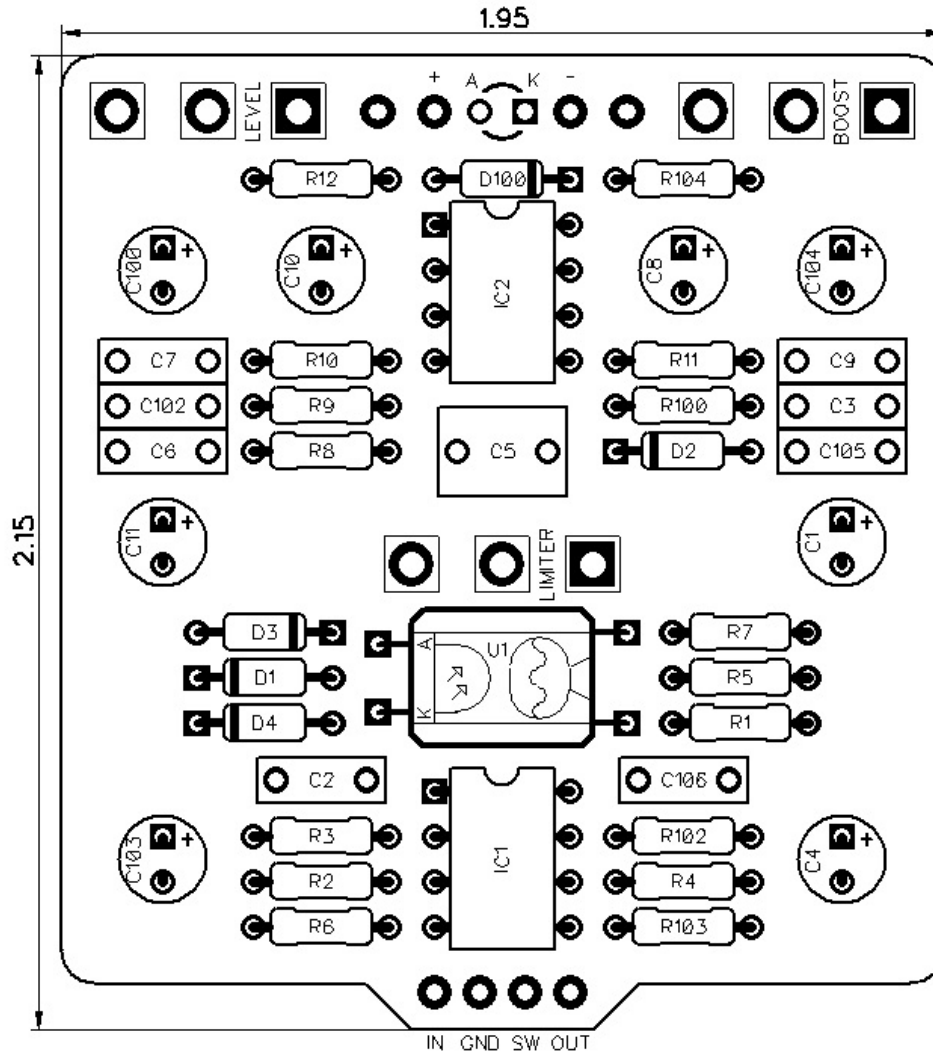




PedalPCB

Closed Circuit Booster / Limiter

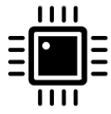
Revision 12.05.20



Controls

- Level
- Boost
- Limiter

All trademarks and registered trademarks are the property of their respective owners. The company, product, and service names used in this web site are for identification purposes only. Use of these names, logos, and brands does not imply endorsement.



PedalPCB Closed Circuit Booster / Limiter

Parts List

RESISTORS (1/4W)

R1 2K
R2 1M
R3 15K
R4 10K
R5 1K
R6 2K
R7 10K
R8 2K
R9 8K2
R10 2K
R11 10R
R12 10R
R100 4K7
R102 10K
R103 10K
R104 10R

CAPACITORS

C1 1u
C2 120p
C3 120p (optional)
C4 10u
C5 1u
C6 1n
C7 100n
C8 10u
C9 100n
C10 10u
C11 10u (optional)
C100 100u
C102 100n
C103 10u
C104 10u
C105 100n

INTEGRATED CIRCUITS

IC1 RC4558
IC2 LM386N-1

DIODES

D1 BAT42
D2 BAT42
D3 BAT42
D4 BAT42
D100 1N5817

POTENTIOMETERS

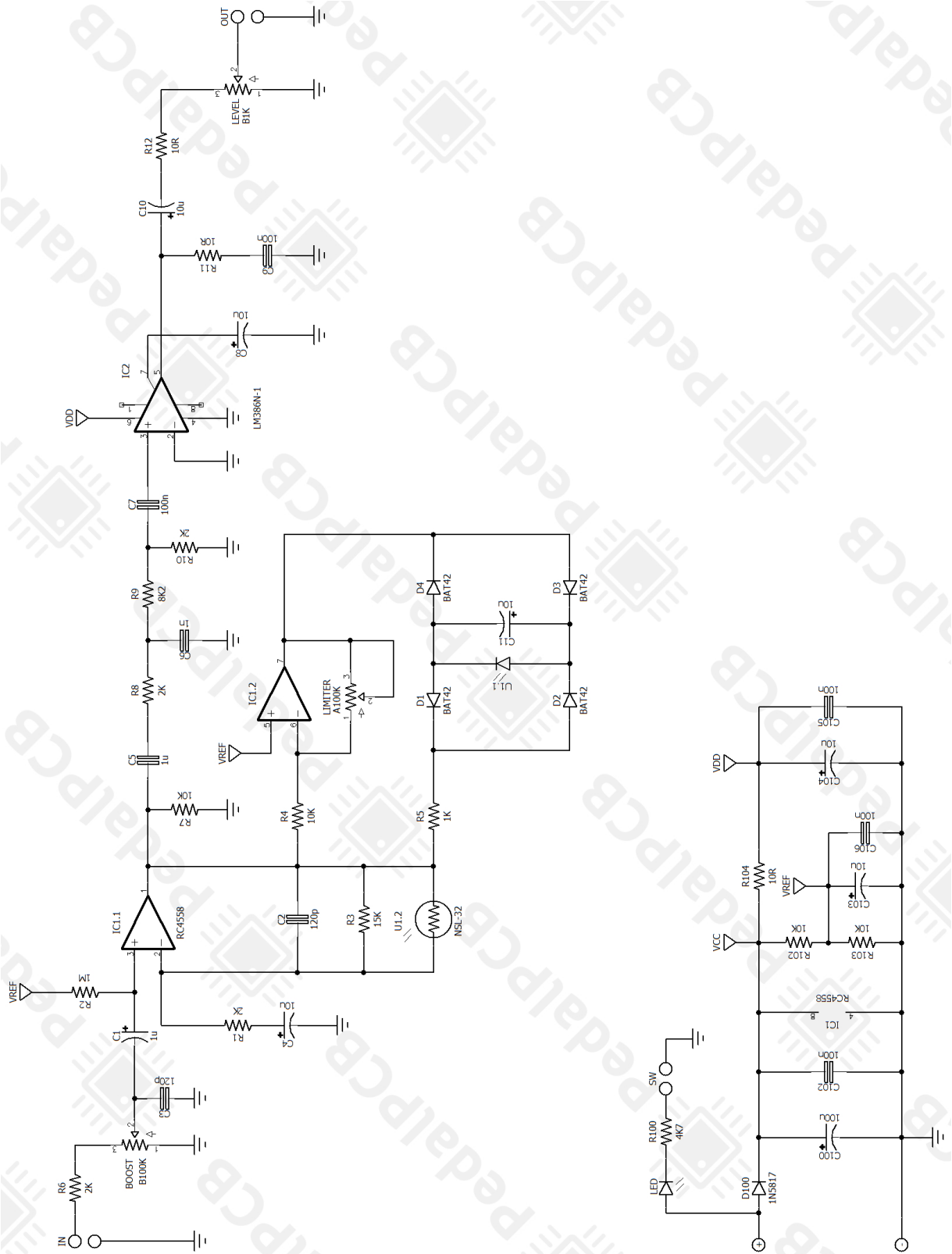
LEVEL B1K
BOOST B100K
LIMITER A100K

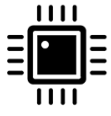
OPTOISOLATORS

U1 NSL-32

Common offboard components (enclosure, footswitch, jacks, etc) are not listed

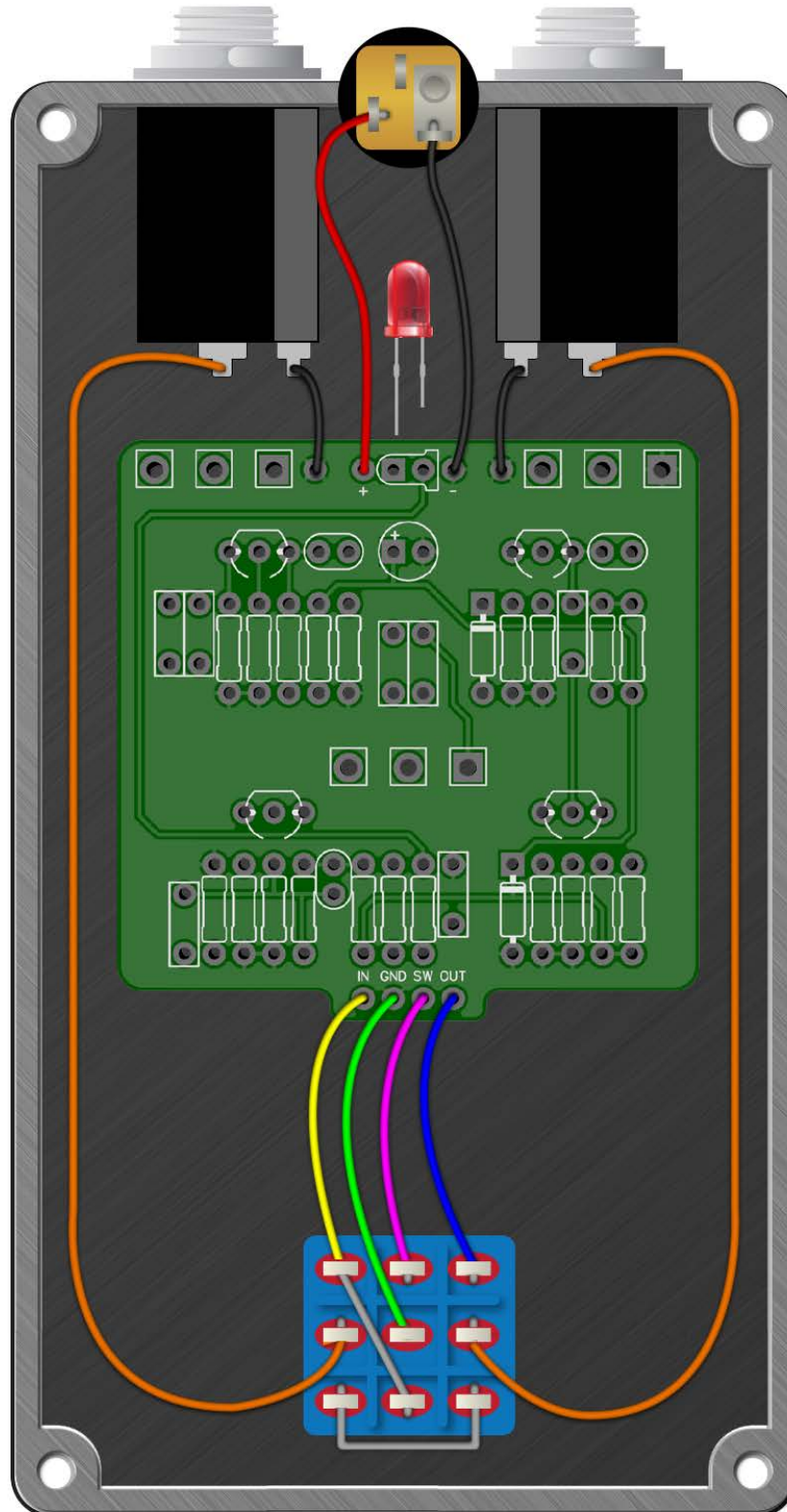
Closed Circuit Booster / Limiter

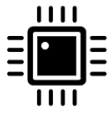




PedalPCB Closed Circuit Booster / Limiter

Wiring Diagram





PedalPCB

Closed Circuit Booster / Limiter

Drill Template
125B Enclosure

