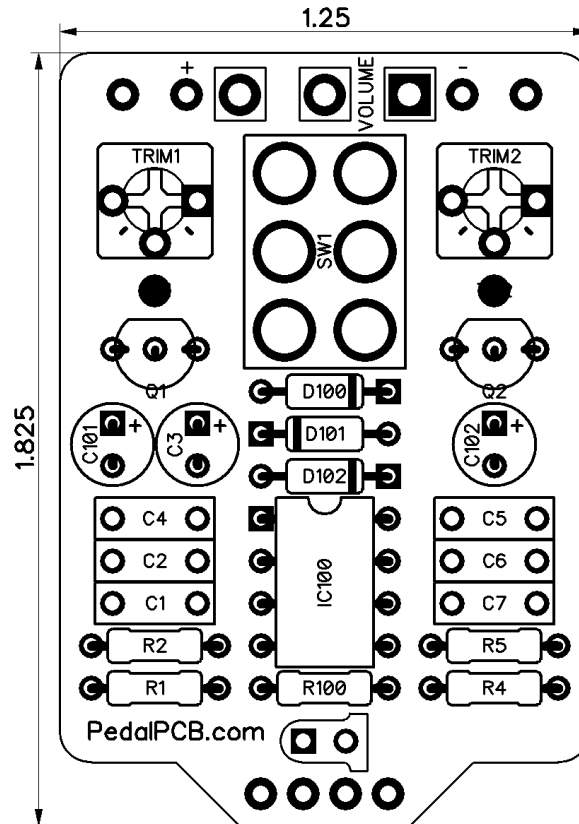


Cleaver

Revision 12.28.17



Resistors

R1	1M
R2	680
R4	1M
R5	680
R100	4K7

Capacitors

C1	100pF
C2	220nF
C3	10uF
C4	220nF
C5	15nF
C6	220nF
C7	1nF
C101	10uF
C102	10uF

Semiconductors

IC100	TC1044SCPA
Q1	2N5458
Q2	2N5458
D100	1N5817
D101	1N5817
D102	1N5817

Potentiometers

VOLUME	B250K
--------	-------

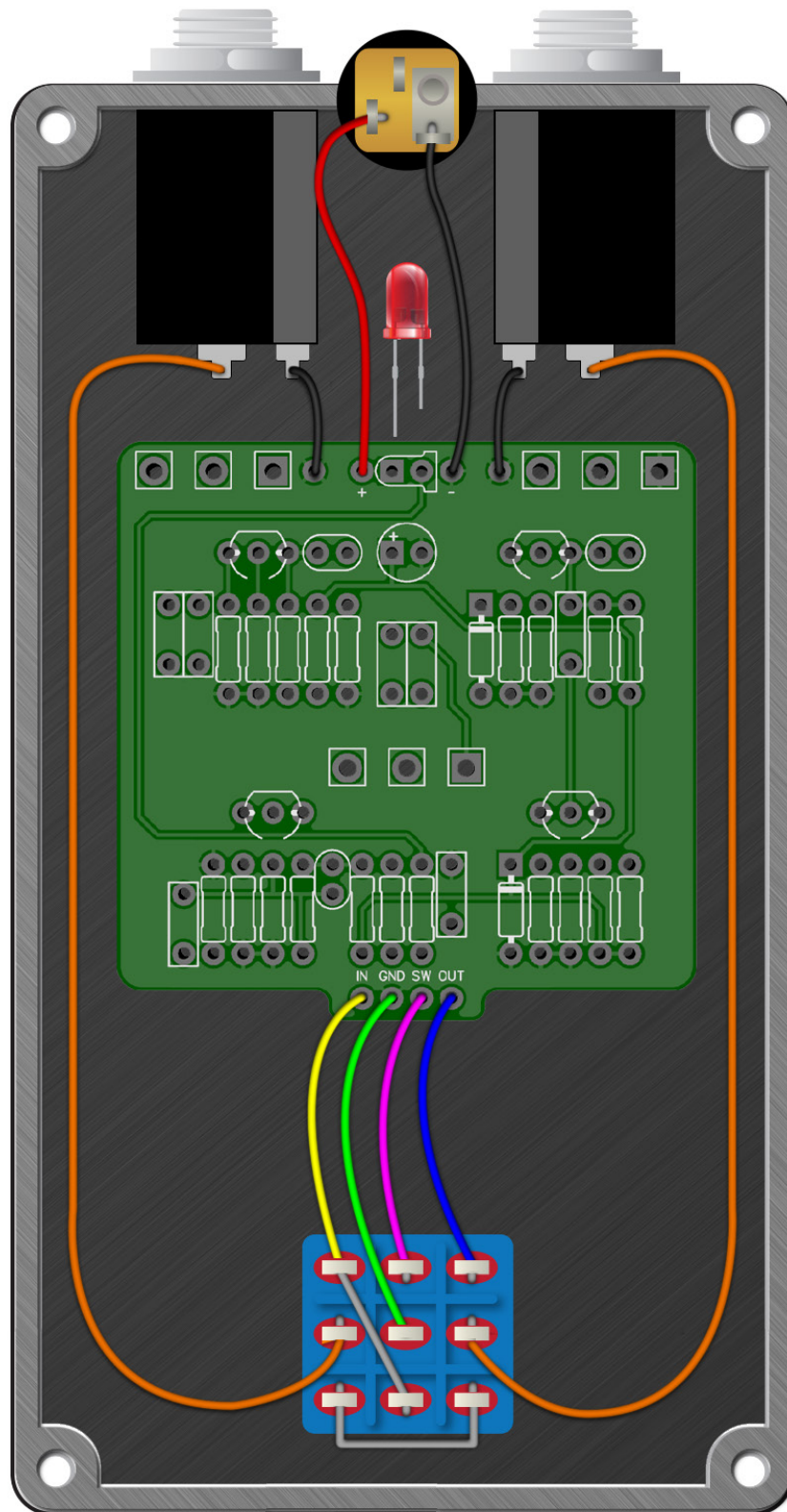
Trim Pots (3362P)

TRIM1	10K
TRIM2	10K

Switches

SW1	DPDT (On / On)
-----	----------------

Wiring Diagram



Drill Template

4S125B enclosure with top mounted jacks

