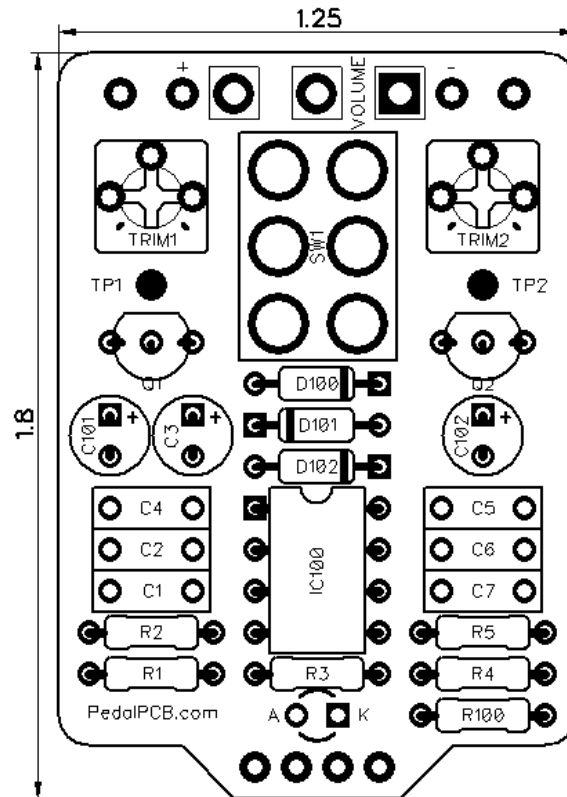


Cleaver

Revision 04.05.20



Resistors

R1	1M
R2	680R
R3	1M
R4	1M
R5	680R
R100	4K7

Capacitors

C1	100p
C2	220n
C3	10u
C4	220n
C5	15n
C6	220n
C7	1n
C101	10u
C102	10u

Semiconductors

IC100	TC1044SCPA
Q1	2N5458
Q2	2N5458
D100	1N5817
D101	1N5817
D102	1N5817

Potentiometers

VOLUME	B250K
--------	-------

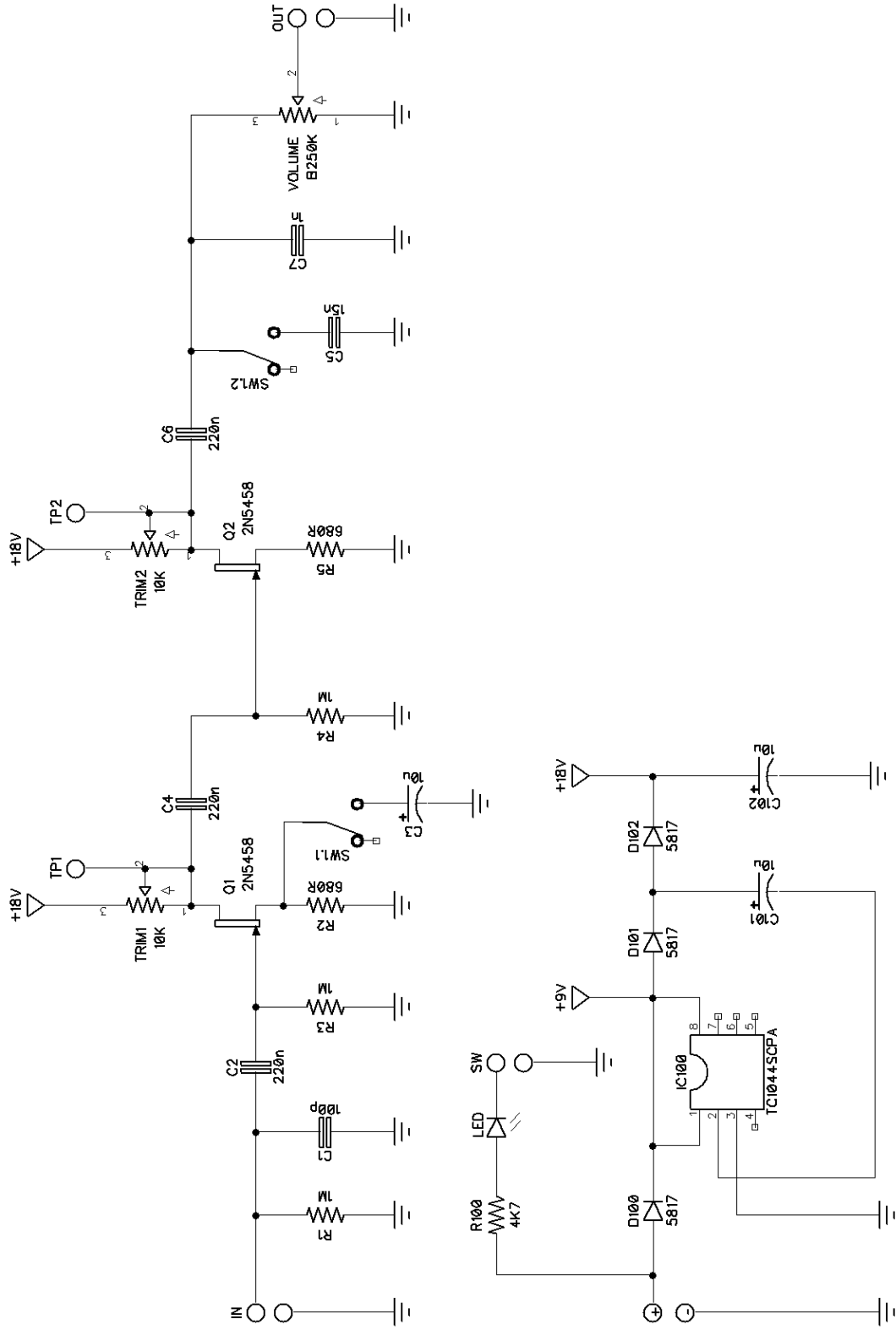
Trim Pots (3362P)

TRIM1	10K
TRIM2	10K

Switches

SW1	DPDT (On / On)
-----	----------------

Cleaver



Wiring Diagram

