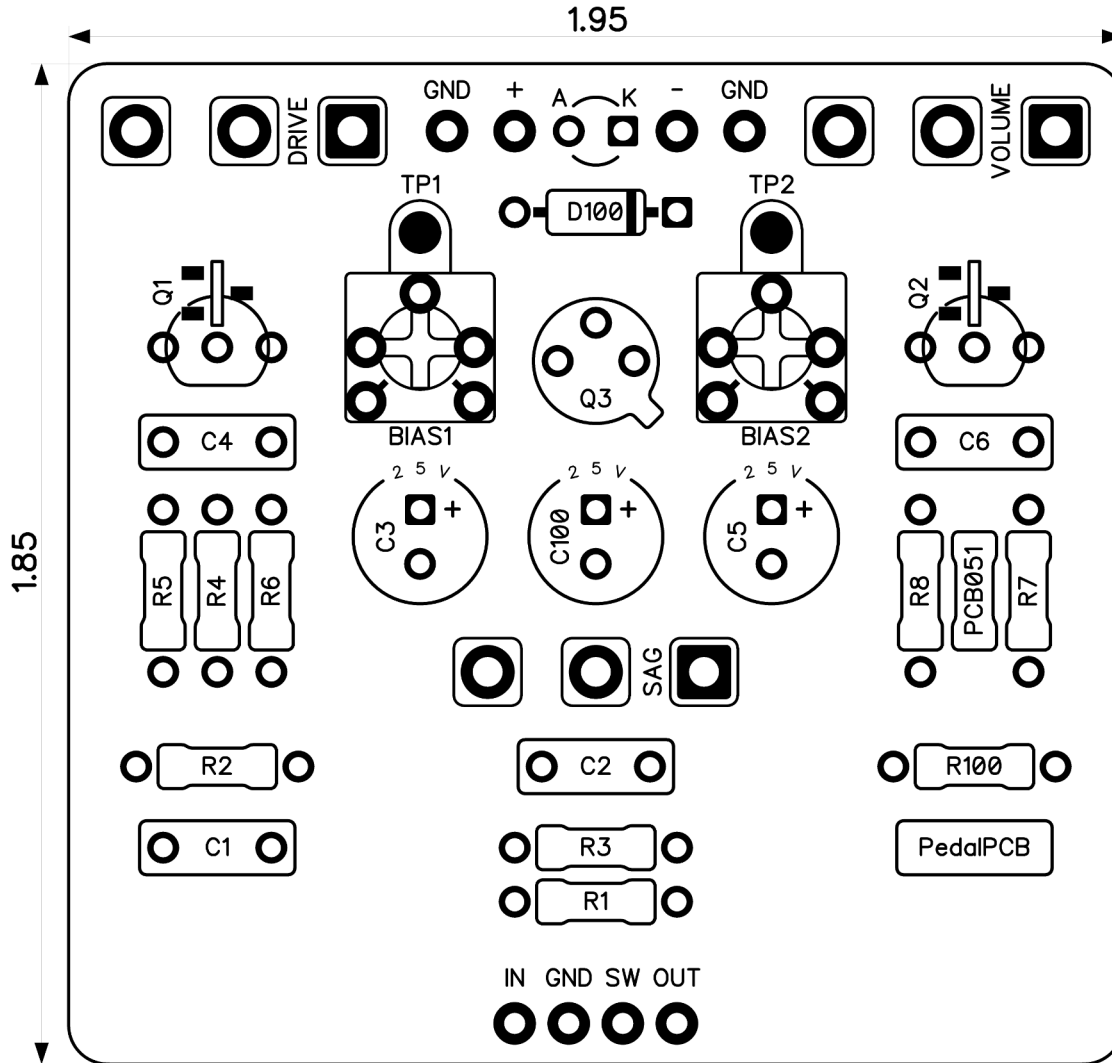


# PedalPCB

## Chop Shop Overdrive

Revised 12/15/22



### CONTROLS AND FEATURES

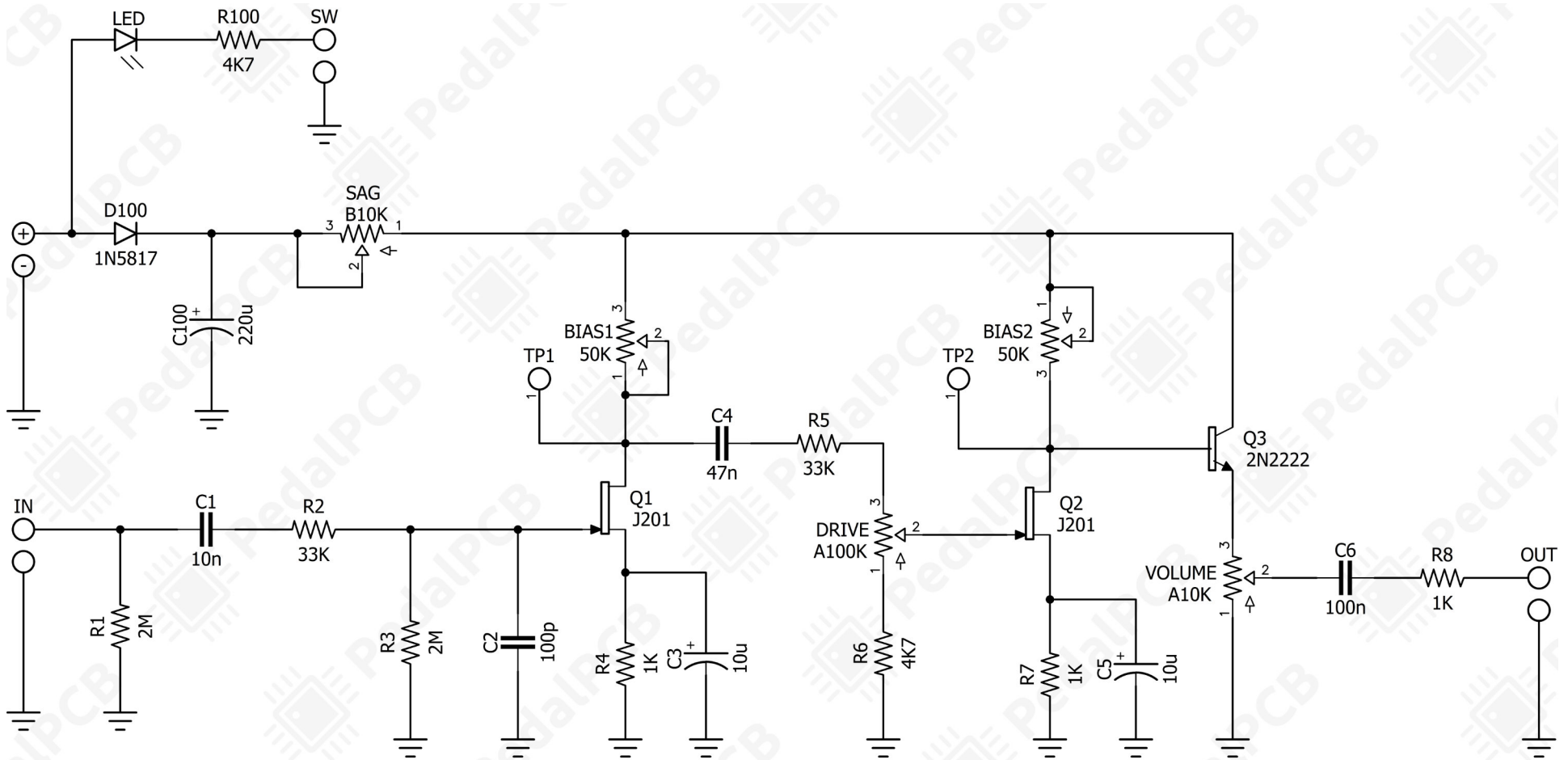
- Volume
- Drive
- Sag

All trademarks and registered trademarks are the property of their respective owners. The company, product, and service names used in this web site are for identification purposes only. Use of these names, logos, and brands does not imply endorsement.



# Chop Shop Overdrive

Schematic Diagram



# Chop Shop Overdrive

Wiring Diagram



# Chop Shop Overdrive

Drill Template  
125B Enclosure

