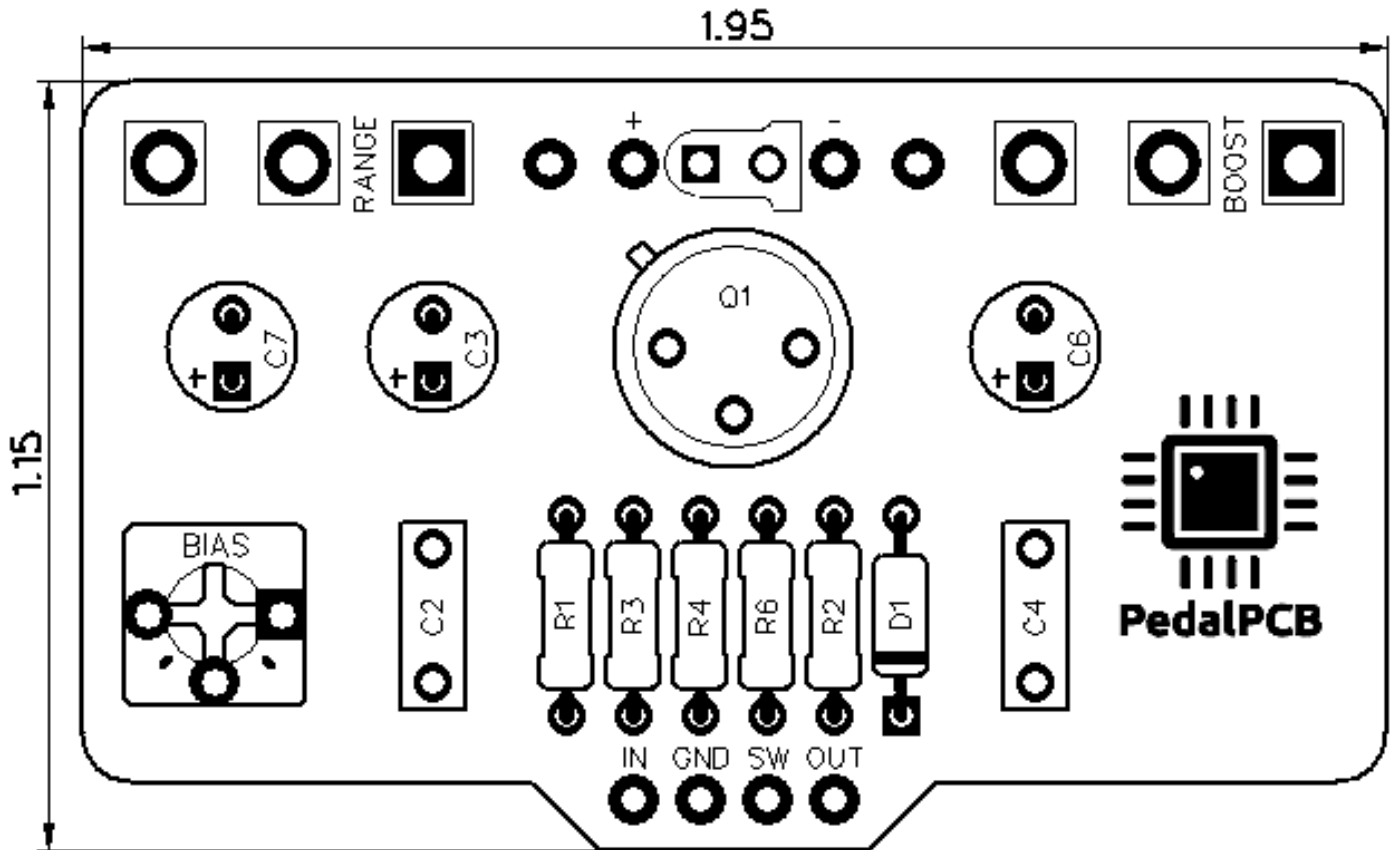


PedalPCB

Chicken Head

Revision 06.27.18



Controls

- **Boost** - Controls the amount of signal gain
- **Range** - Adjusts the range of frequencies boosted
- **Bias (Trim)** - Sets the transistor bias current

All trademarks and registered trademarks are the property of their respective owners. The company, product, and service names used in this web site are for identification purposes only. Use of these names, logos, and brands does not imply endorsement.

Chicken Head

Parts List

RESISTORS

R1 1M
R2 470K
R3 68K
R4 1M
R6 4K7

CAPACITORS

C2 5n
C3 22u
C4 10n
C6 47u
C7 2u2

TRANSISTORS

Q1 CV7112

DIODES

D1 1N5817

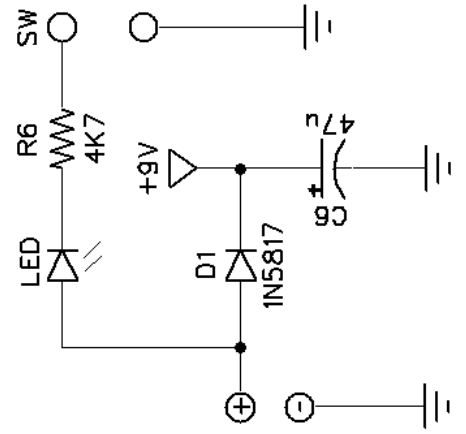
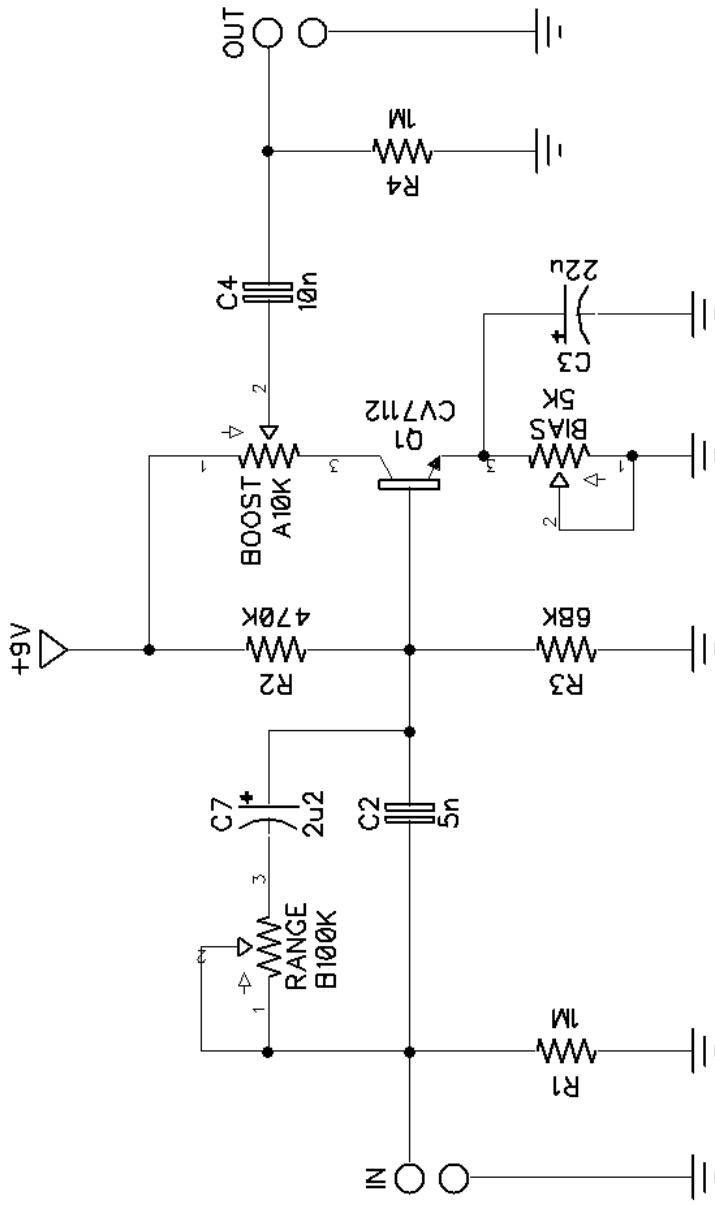
POTENTIOMETERS

RANGE B100K
BOOST A10K

TRIM POTS

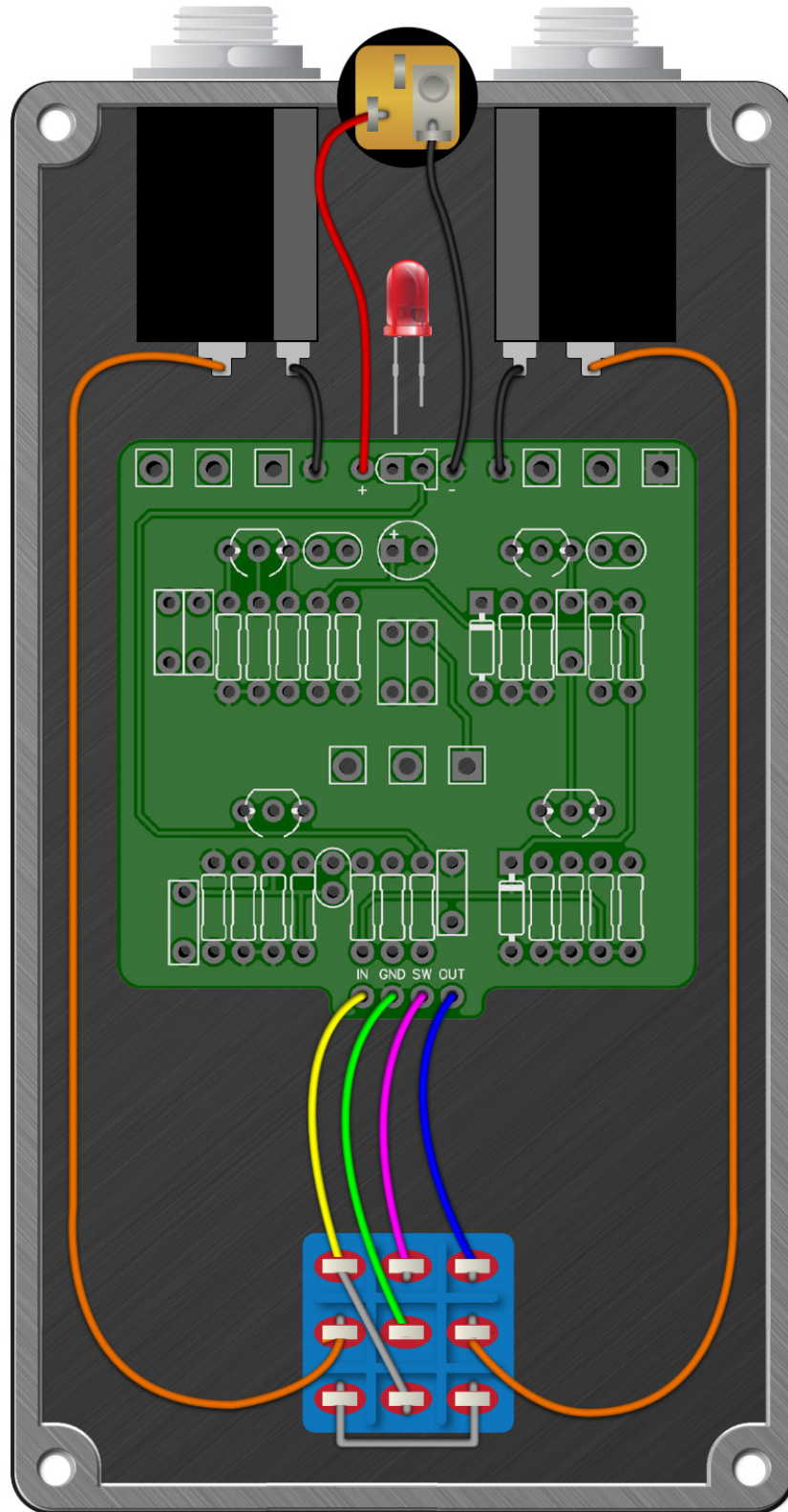
BIAS 5K

Chicken Head



Chicken Head

Wiring Diagram



Chicken Head

Drill Template
125B enclosure with top mounted jacks

