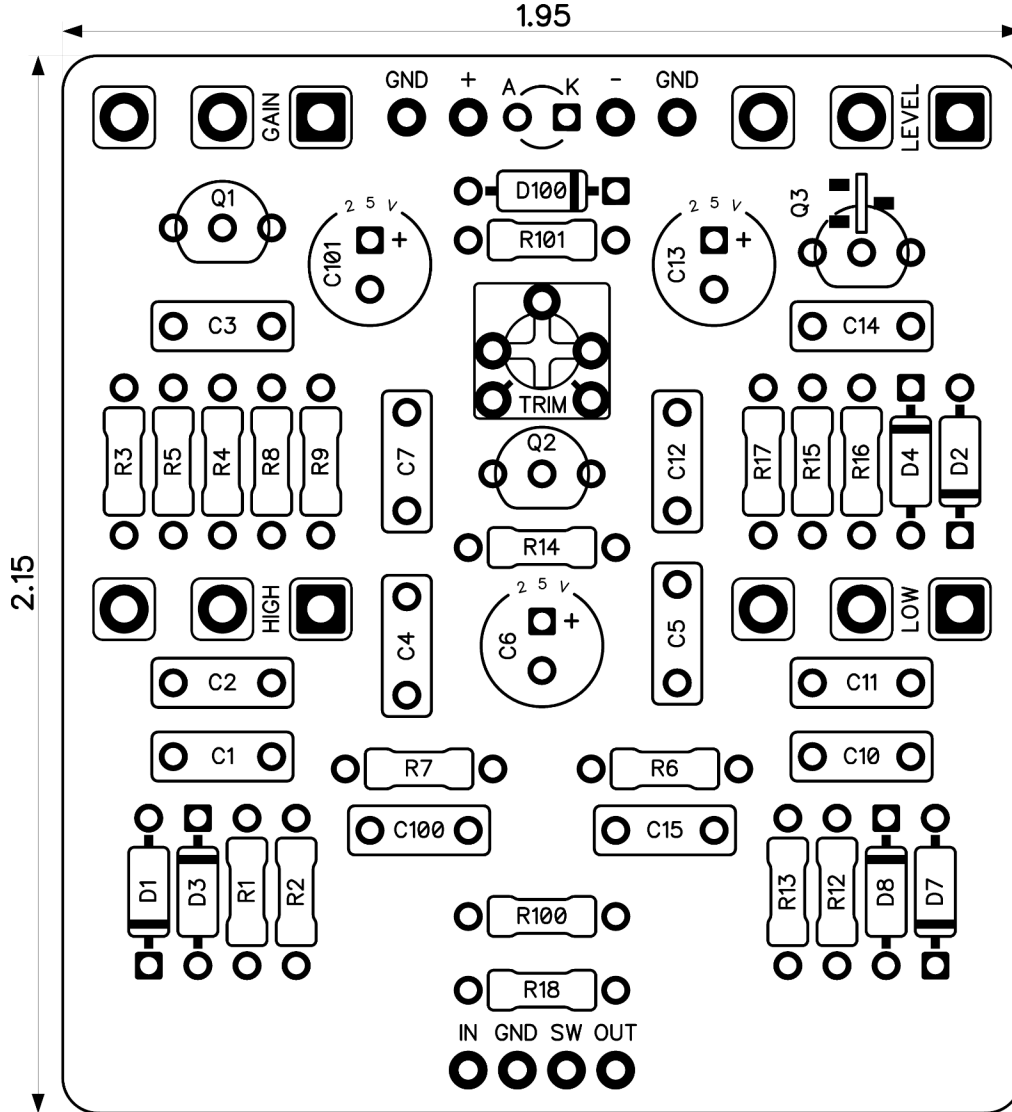


PedalPCB

Champ Stamp Overdrive

Revised 10/28/22



CONTROLS AND FEATURES

- Level
- Gain
- Low
- High

All trademarks and registered trademarks are the property of their respective owners. The company, product, and service names used in this web site are for identification purposes only. Use of these names, logos, and brands does not imply endorsement.

Champ Stamp Overdrive

Schematic Diagram

