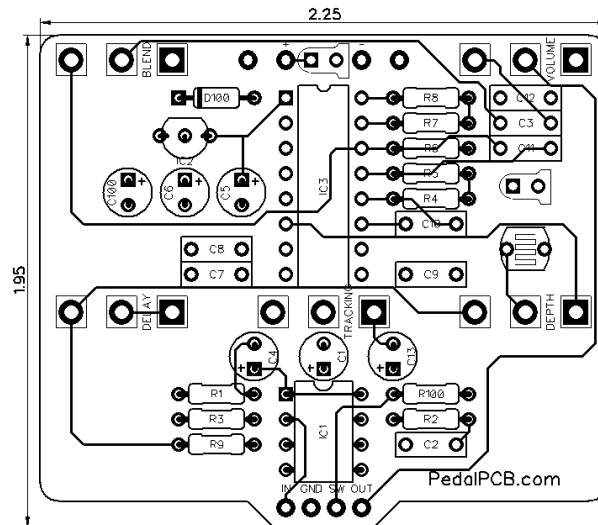


PedalPCB

Chalumeau

Revision 03.05.20



Introduction

The Chalumeau is an envelope controlled Vibrato, Chorus, Wow, and Flutter generator.

Controls

- **Delay**
- **Depth**
- **Blend**
- **Tracking**
- **Feedback**

All trademarks and registered trademarks are the property of their respective owners. The company, product, and service names used in this web site are for identification purposes only. Use of these names, logos, and brands does not imply endorsement.

RESISTORS

R1 100
R2 100K
R3 1K
R4 22K
R5 10K
R6 22K
R7 22K
R8 10K
R9 1K
R100 4K7

CAPACITORS

C1 47u
C2 10n
C3 100n
C4 47u
C5 47u
C6 47u
C7 100n
C8 100n
C9 100n
C10 100n
C11 1n
C12 1n
C13 10u
C100 47u

POTENTIOMETERS

DELAY B100K
DEPTH B100K
BLEND B25K
TRACKING B1K
VOLUME B100K

OPTICAL

LDR1 LDR

INTEGRATED CIRCUITS

IC1 LM386
IC2 L78L05
IC3 PT2399

DIODES

D1 LED 5mm Yellow
D100 1N5817

