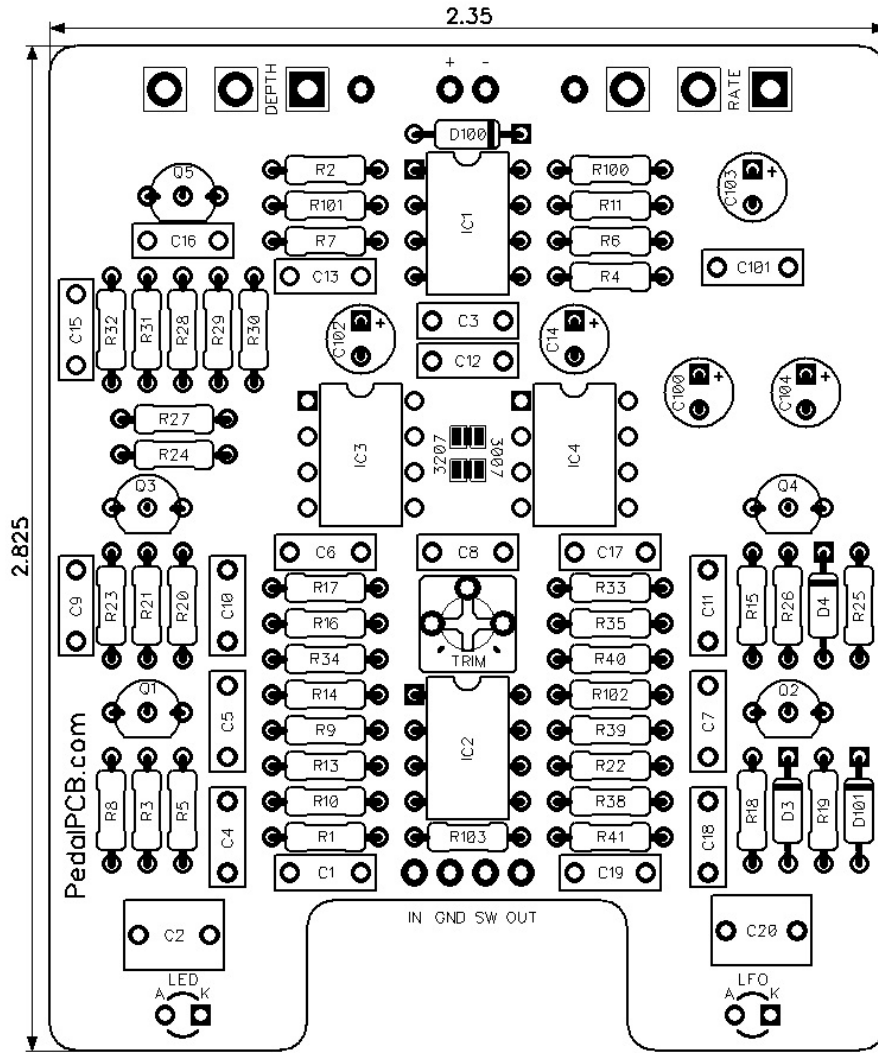


PedalPCB

Cepheid Chorus

Revised 6/1/21



CONTROLS AND FEATURES

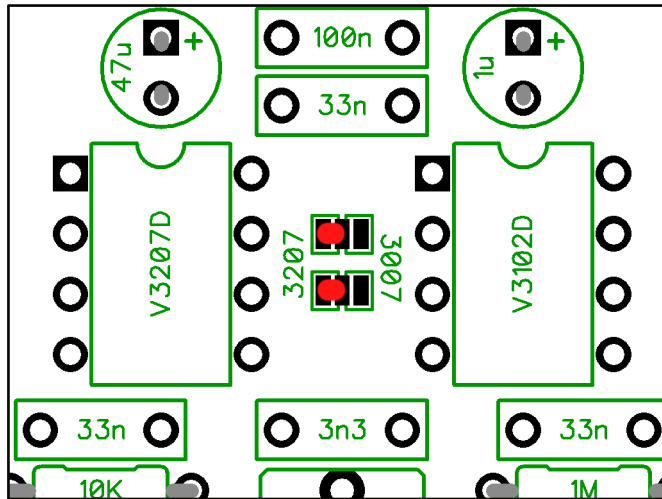
- Rate
- Depth

All trademarks and registered trademarks are the property of their respective owners. The company, product, and service names used in this web site are for identification purposes only. Use of these names, logos, and brands does not imply endorsement.

BBD Configuration

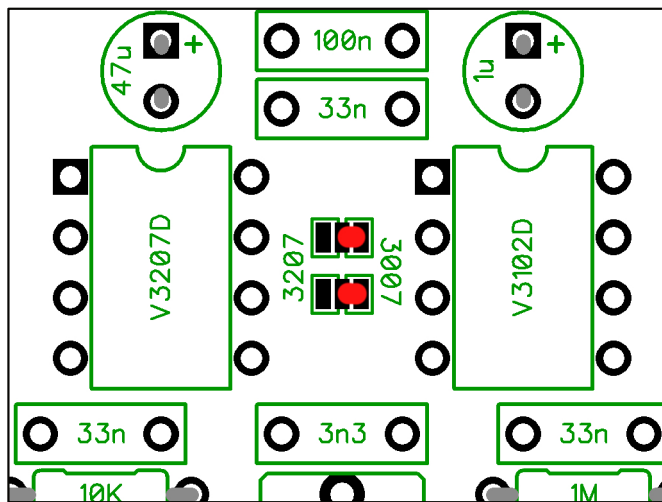
The Cepheid Chorus PCB is compatible with multiple BBD delay and clock ICs. The correct polarity for the BBD delay IC must be set by bridging a pair of solder jumpers.

The proper voltage zener diode (D101) must also be selected depending on which BBD is used.



MN3207 / V3207 / BL3207

BBD	Clock	D101
MN3207	MN3102	9V1
V3207	V3102	9V1
BL3207	BL3102	9V1



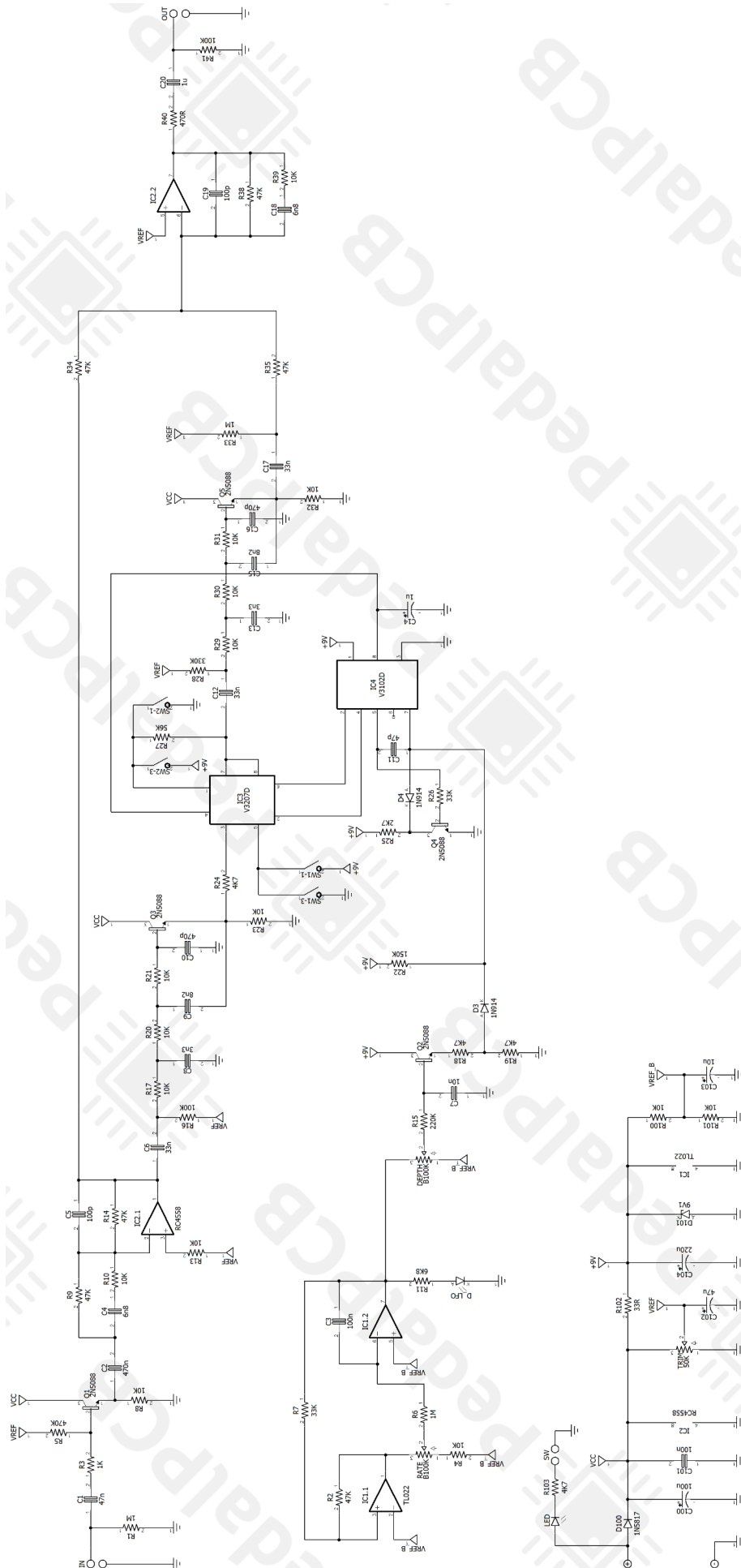
MN3007

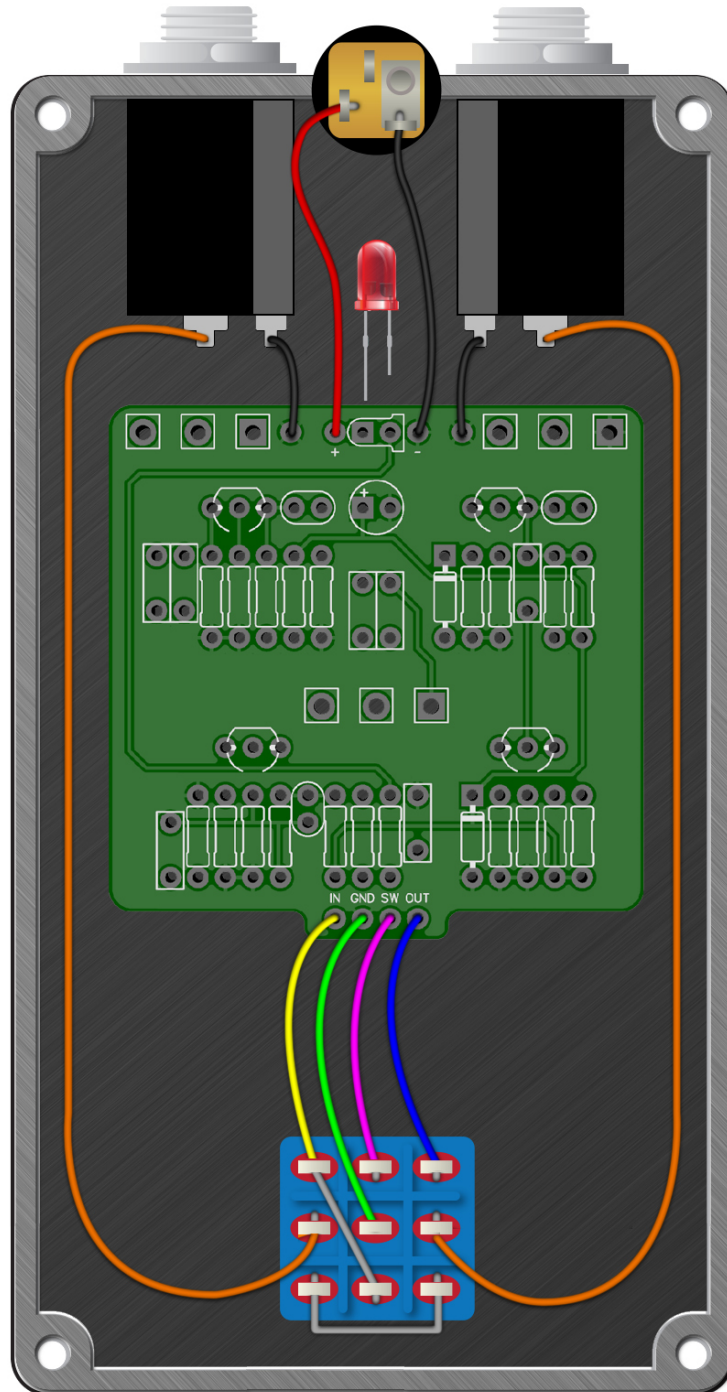
BBD	Clock	D101
MN3007	MN3101	12V - 15V

LOCATION	VALUE	TYPE	NOTES
R1	1M	Resistor, 1/4W	
R2	47K	Resistor, 1/4W	
R3	1K	Resistor, 1/4W	
R4	10K	Resistor, 1/4W	
R5	470K	Resistor, 1/4W	
R6	1M	Resistor, 1/4W	
R7	33K	Resistor, 1/4W	
R8	10K	Resistor, 1/4W	
R9	47K	Resistor, 1/4W	
R10	10K	Resistor, 1/4W	
R11	6K8	Resistor, 1/4W	
R13	10K	Resistor, 1/4W	
R14	47K	Resistor, 1/4W	
R15	220K	Resistor, 1/4W	
R16	100K	Resistor, 1/4W	
R17	10K	Resistor, 1/4W	
R18	4K7	Resistor, 1/4W	
R19	4K7	Resistor, 1/4W	
R20	10K	Resistor, 1/4W	
R21	10K	Resistor, 1/4W	
R22	150K	Resistor, 1/4W	
R23	10K	Resistor, 1/4W	
R24	4K7	Resistor, 1/4W	
R25	2K7	Resistor, 1/4W	
R26	33K	Resistor, 1/4W	
R27	56K	Resistor, 1/4W	
R28	330K	Resistor, 1/4W	
R29	10K	Resistor, 1/4W	
R30	10K	Resistor, 1/4W	
R31	10K	Resistor, 1/4W	
R32	10K	Resistor, 1/4W	
R33	1M	Resistor, 1/4W	
R34	47K	Resistor, 1/4W	
R35	47K	Resistor, 1/4W	
R38	47K	Resistor, 1/4W	
R39	10K	Resistor, 1/4W	
R40	470R	Resistor, 1/4W	
R41	100K	Resistor, 1/4W	
R100	10K	Resistor, 1/4W	
R101	10K	Resistor, 1/4W	
R102	33R	Resistor, 1/4W	
R103	4K7	Resistor, 1/4W	
IC1	TL022	Dual op-amp, DIP8	
IC2	RC4558	Dual op-amp, DIP8	
IC3	V3207D	BBD Analog Delay Line	
IC4	V3102D	BBD Clock, Two-Phase	

Cepheid Chorus

Schematic Diagram





Cepheid Chorus

Drill Template
125B enclosure

