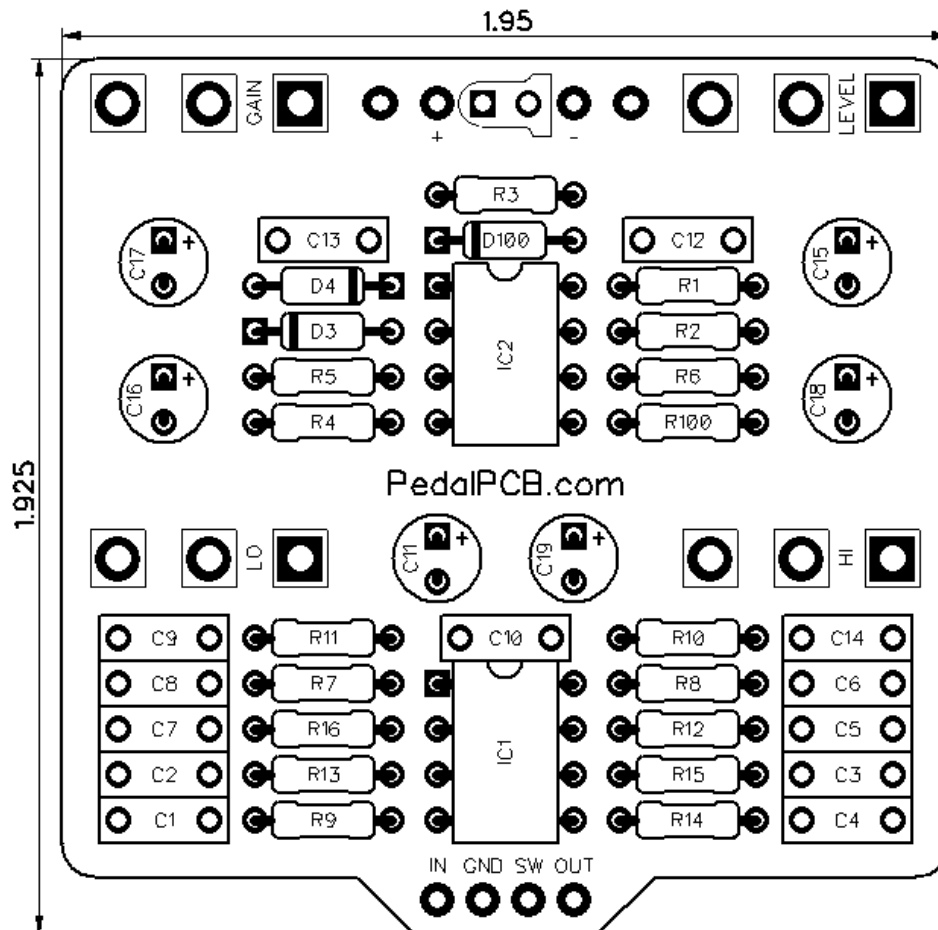




PedalPCB

Cattle Driver

Revision 06.23.18



Controls

- **Level** - Controls the overall output volume
- **Gain** - Controls the amount of signal gain
- **Hi** - Adjusts the level of treble frequencies
- **Lo** - Adjusts the level of bass frequencies

All trademarks and registered trademarks are the property of their respective owners. The company, product, and service names used in this web site are for identification purposes only. Use of these names, logos, and brands does not imply endorsement.

Cattle Driver

Parts List

RESISTORS

R1 10K
R2 10K
R3 120
R4 470
R5 120
R6 1M
R7 22K
R8 1K
R9 1M
R10 82K
R11 1K8
R12 12K
R13 1M
R14 1M
R15 82K
R16 10K
R100 4K7

POTENTIOMETERS

LEVEL A100K
GAIN A50K
HI A500K
LO A100K

CAPACITORS

C1 470p
C2 10n
C3 150p
C4 150n
C5 150n
C6 100n
C7 100n
C8 100n
C9 47n
C10 330p
C11 4u7
C12 47p
C13 47p
C14 100n
C15 100u
C16 1u
C17 4u7
C18 47u
C19 1u

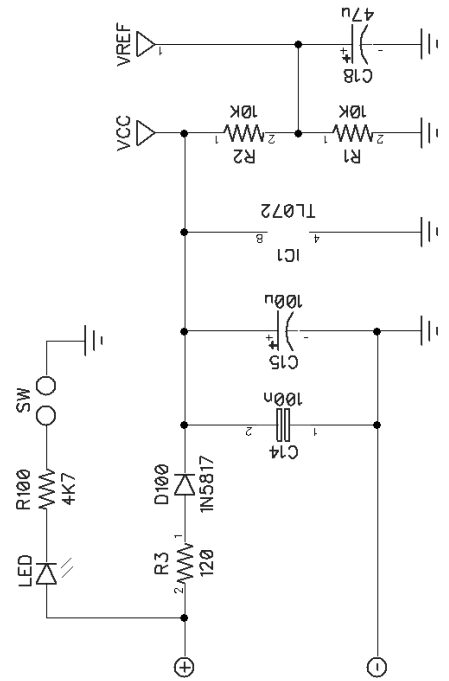
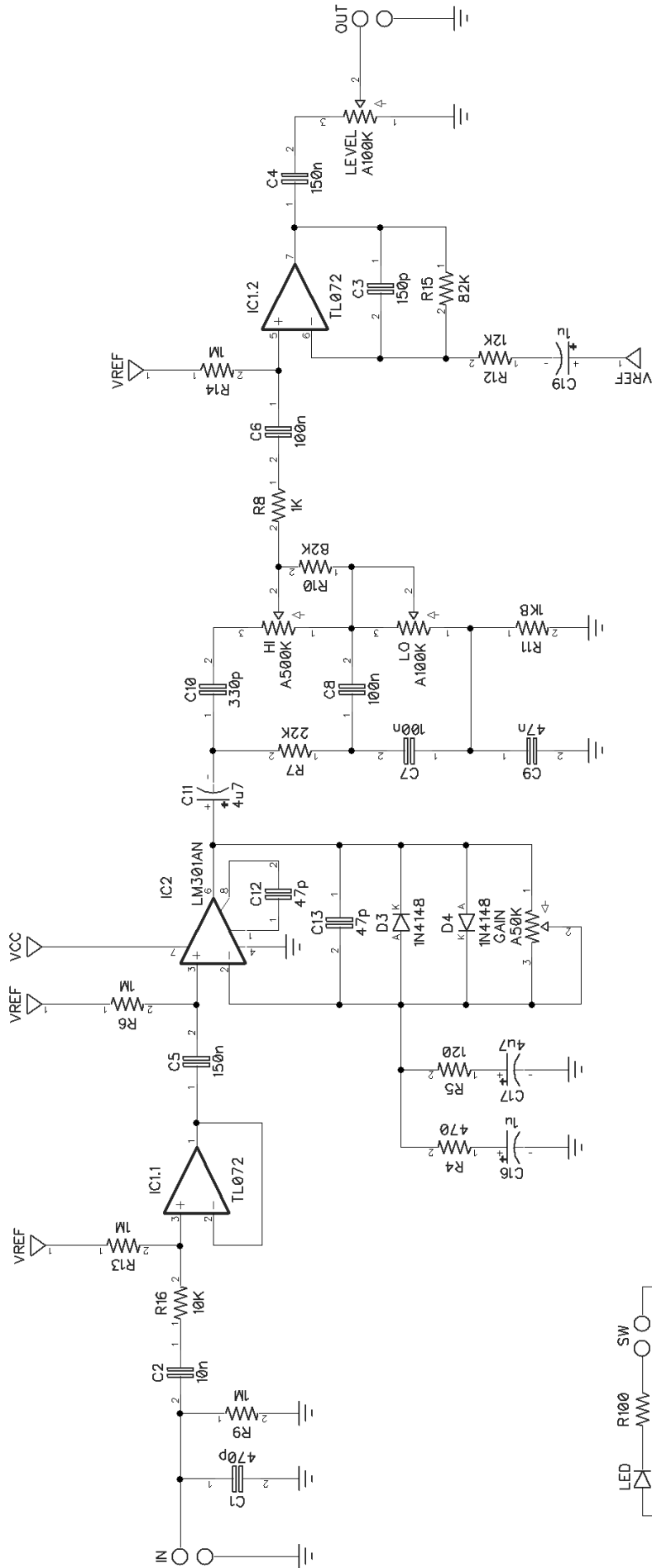
INTEGRATED CIRCUITS

IC1 TL072
IC2 LM301AN

DIODES

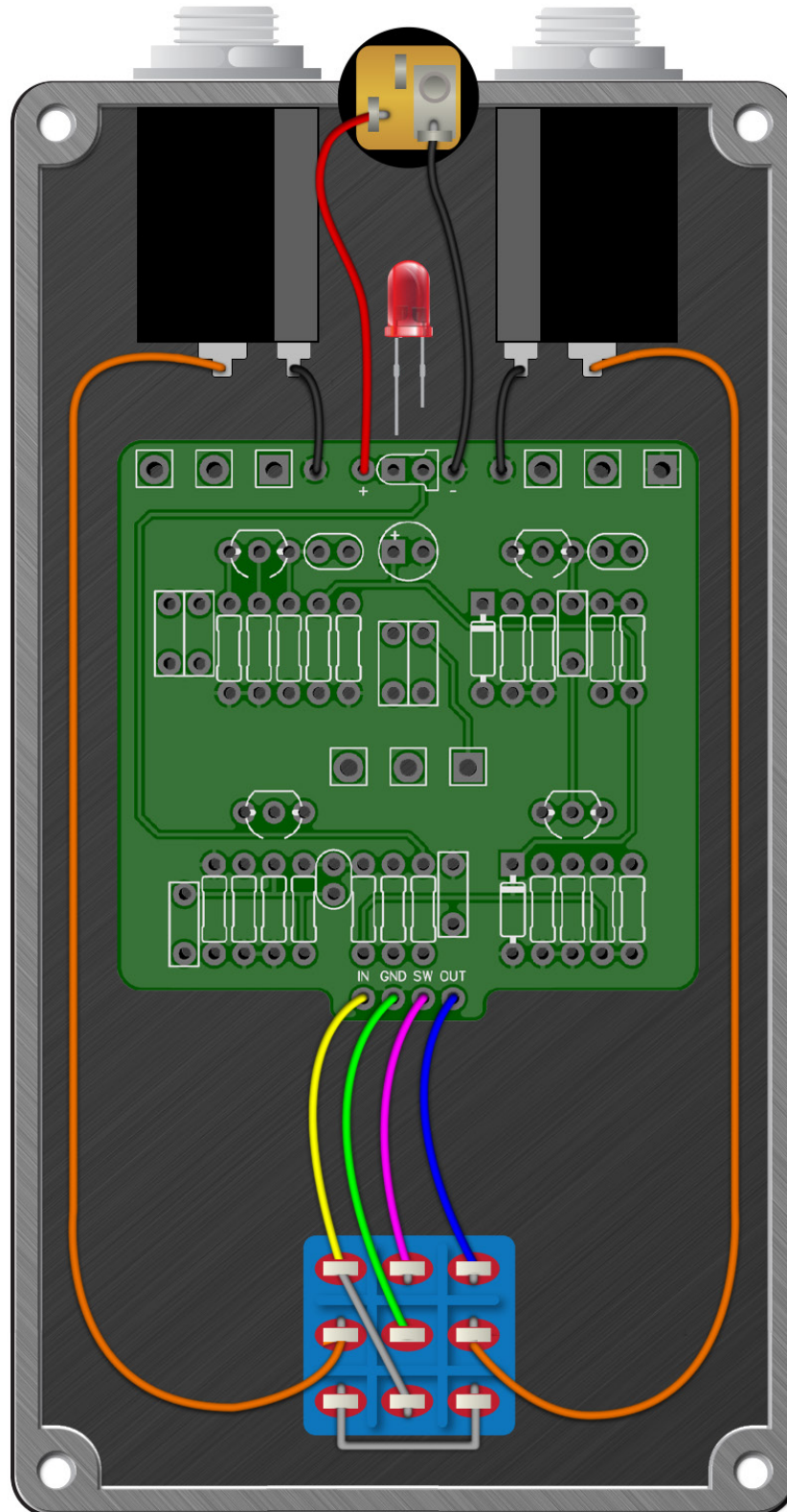
D3 1N4148
D4 1N4148
D100 1N5817

Cattle Driver



Cattle Driver

Wiring Diagram



Cattle Driver

Drill Template
125B enclosure with top mounted jacks

