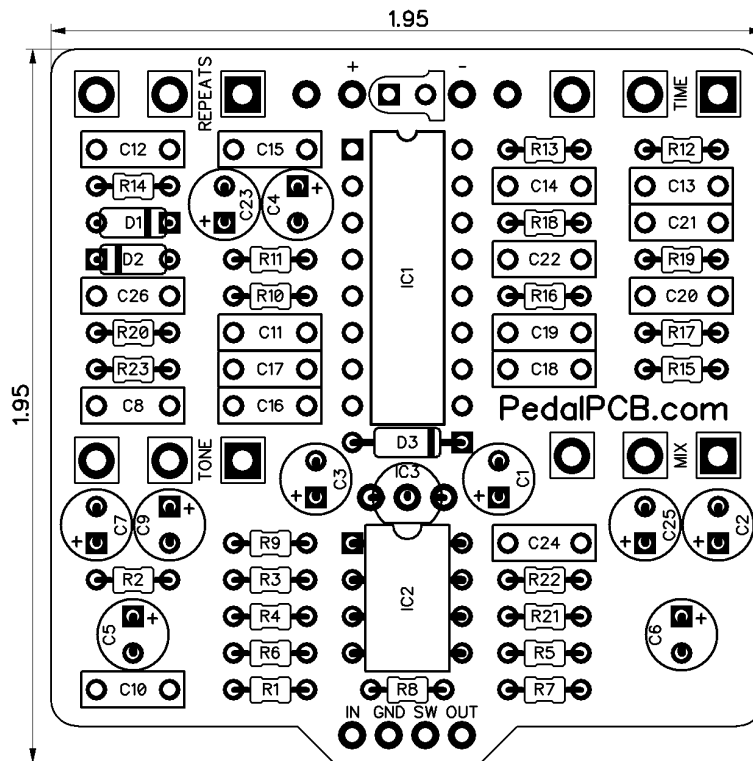


Cataclysm Delay

Revision 10.12.17



Resistors

R1	1M	R20	20K
R2	470K	R21	10K
R3	470K	R22	47K
R4	220K	R23	220K
R5	10K		
R6	10K		
R7	100K		
R8	4K7		
R9	47K		
R10	22K		
R11	10K		
R12	47K		
R13	10K		
R14	22K		
R15	1K		
R16	10K		
R17	10K		
R18	22K		
R19	10K		

Capacitors

C1	100uF	C20	22nF
C2	100uF	C21	22nF
C3	100uF	C22	2.2nF
C4	10uF	C23	1uF
C5	10uF	C24	100pF
C6	1uF	C25	1uF
C7	1uF	C26	22nF
C8	22nF		
C9	1uF		
C10	220nF		
C11	22nF		
C12	100nF		
C13	22nF		
C14	1nF		
C15	100nF		
C16	100nF		
C17	100nF		
C18	100nF		
C19	100nF		

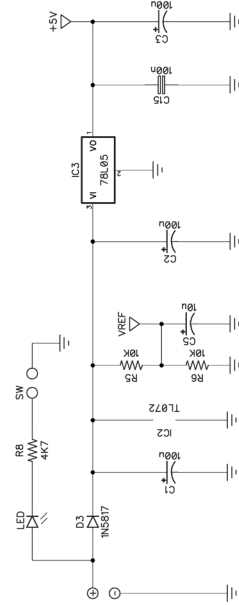
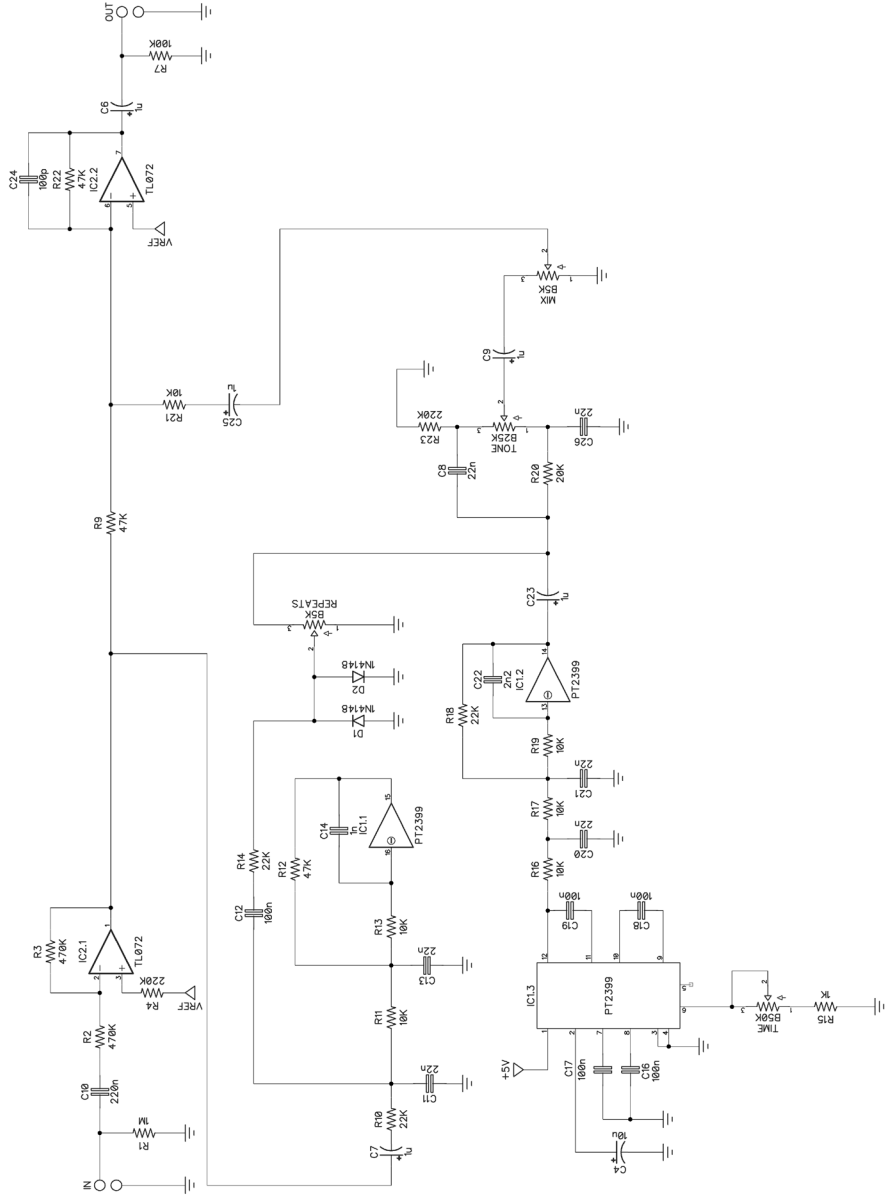
Semiconductors

D1	1N4148
D2	1N4148
D3	1N5817
IC1	PT2399
IC2	TL072
IC3	78L05
LED	3mm Red

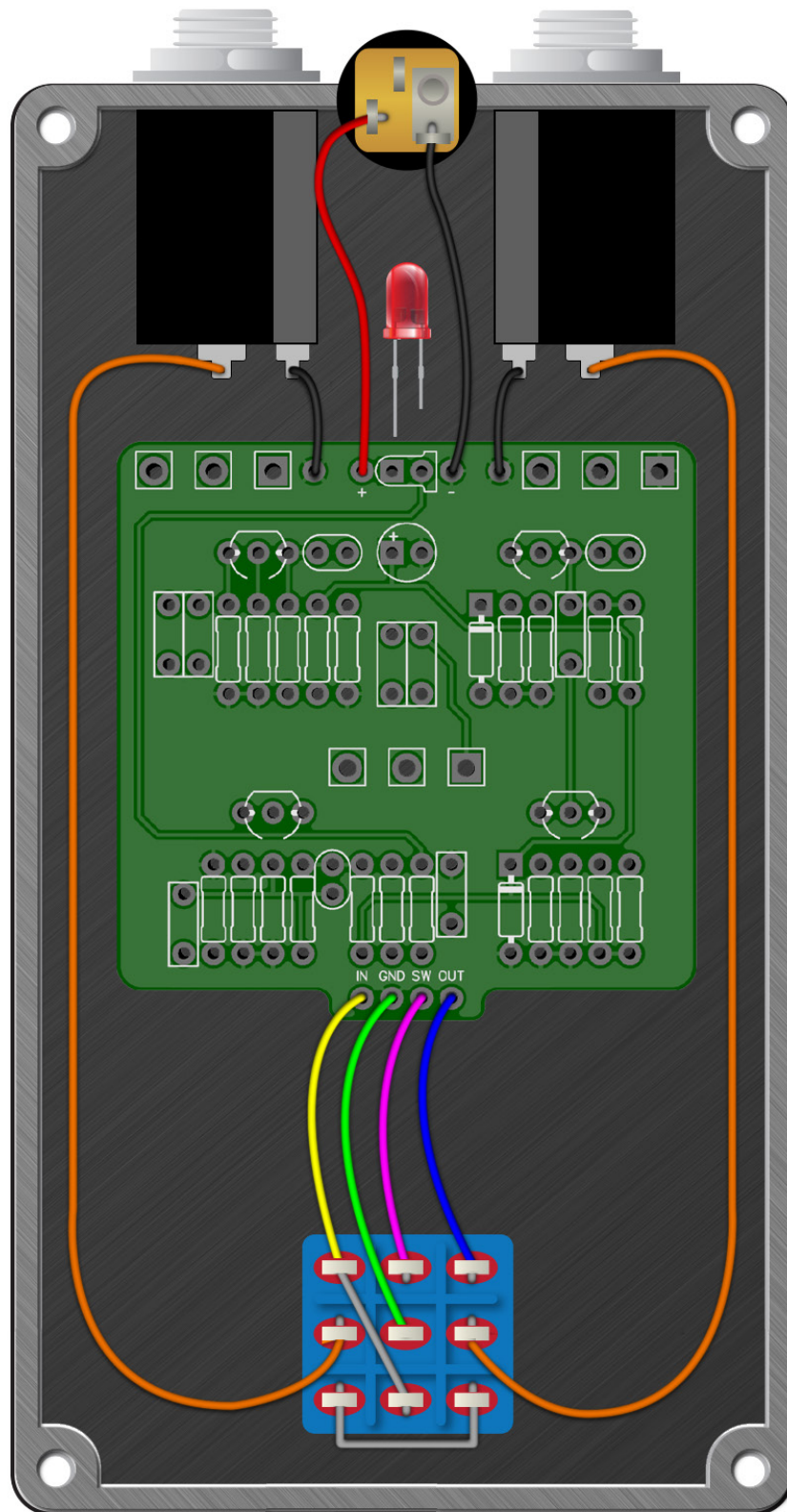
Potentiometers

TIME	B50K
TONE	B25K
MIX	B5K
REPEATS	B5K

Cataclysm Delay

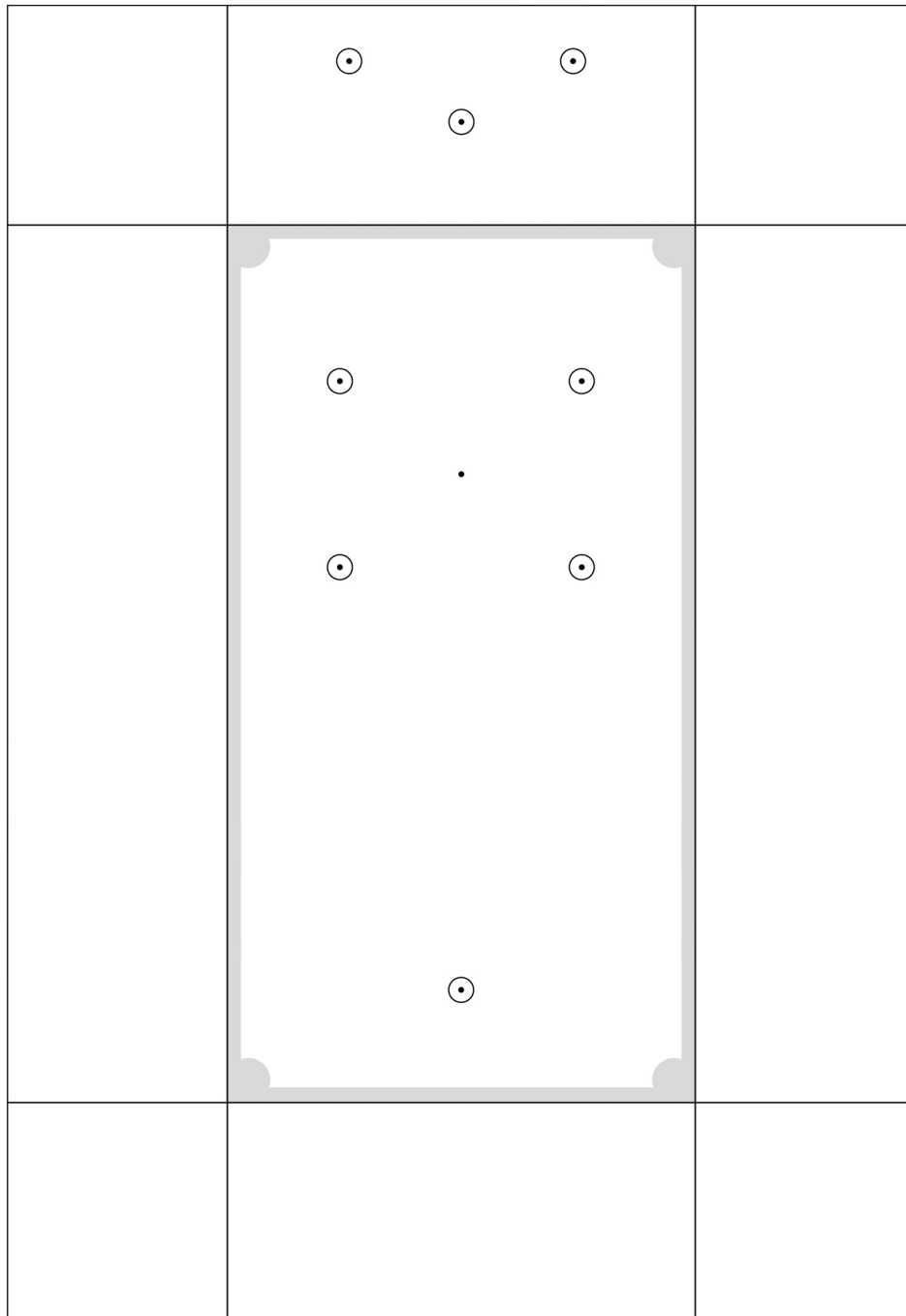


Wiring Diagram



Drill Template

4S125B enclosure with top mounted jacks



Cataclysm Delay

Bill of Materials

Resistors (1/8W)

1 x 1K
1 x 4K7
8 x 10K
1 x 20K
3 x 22K
3 x 47K
1 x 100K
2 x 220K
2 x 470K
1 x 1M

Capacitors

1 x 100pF
1 x 1nF
1 x 2.2nF
6 x 22nF
6 x 100nF
1 x 220nF
5 x 1uF
2 x 10uF
3 x 100uF

Semiconductors

2 x 1N4148
1 x 1N5817
1 x PT2399
1 x TL072
1 x 78L05

1 x 3mm LED

Potentiometers

2 x B5K
1 x B25K
1 x B50K