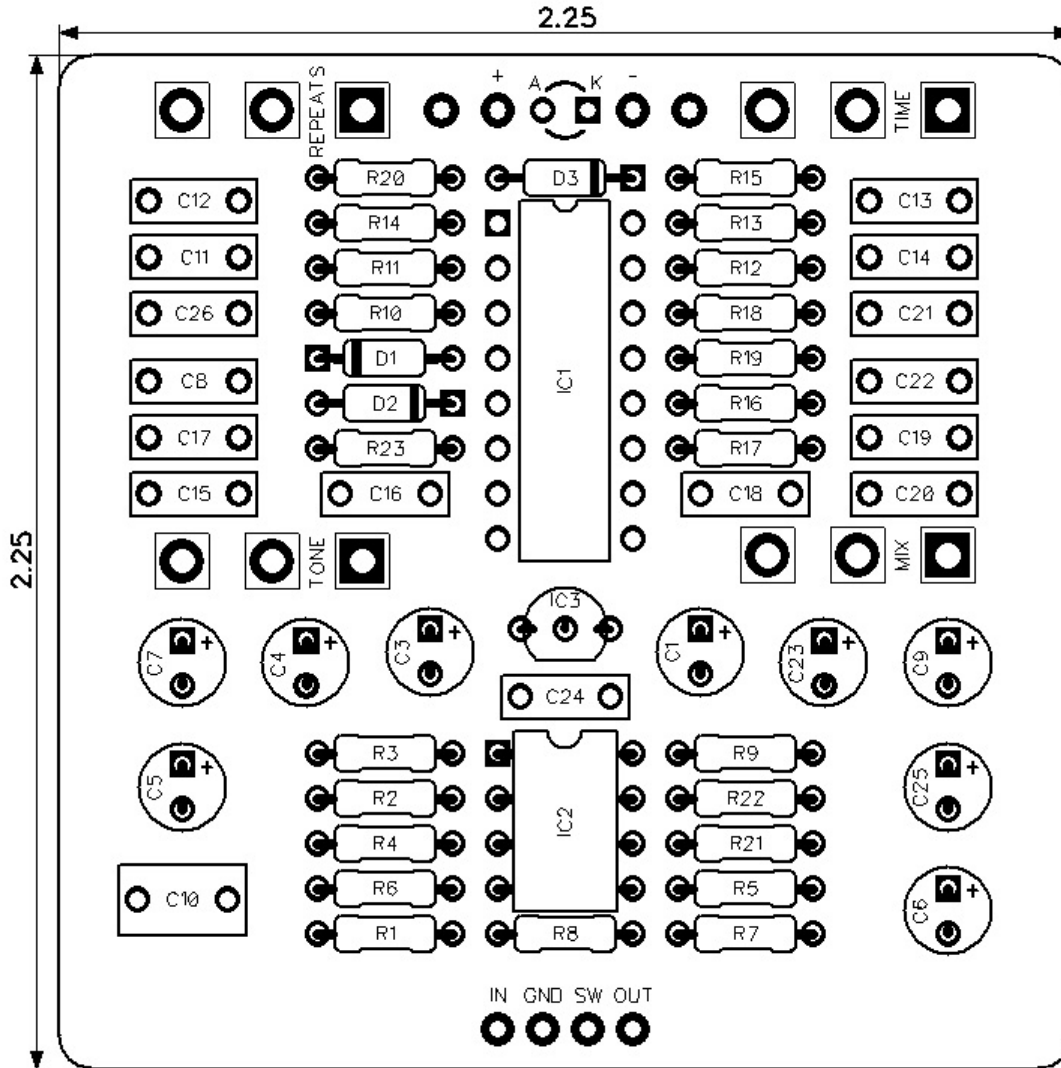


PedalPCB

Cataclysm Delay

Revised 7/15/21



CONTROLS AND FEATURES

- Time
- Repeats
- Mix
- Tone

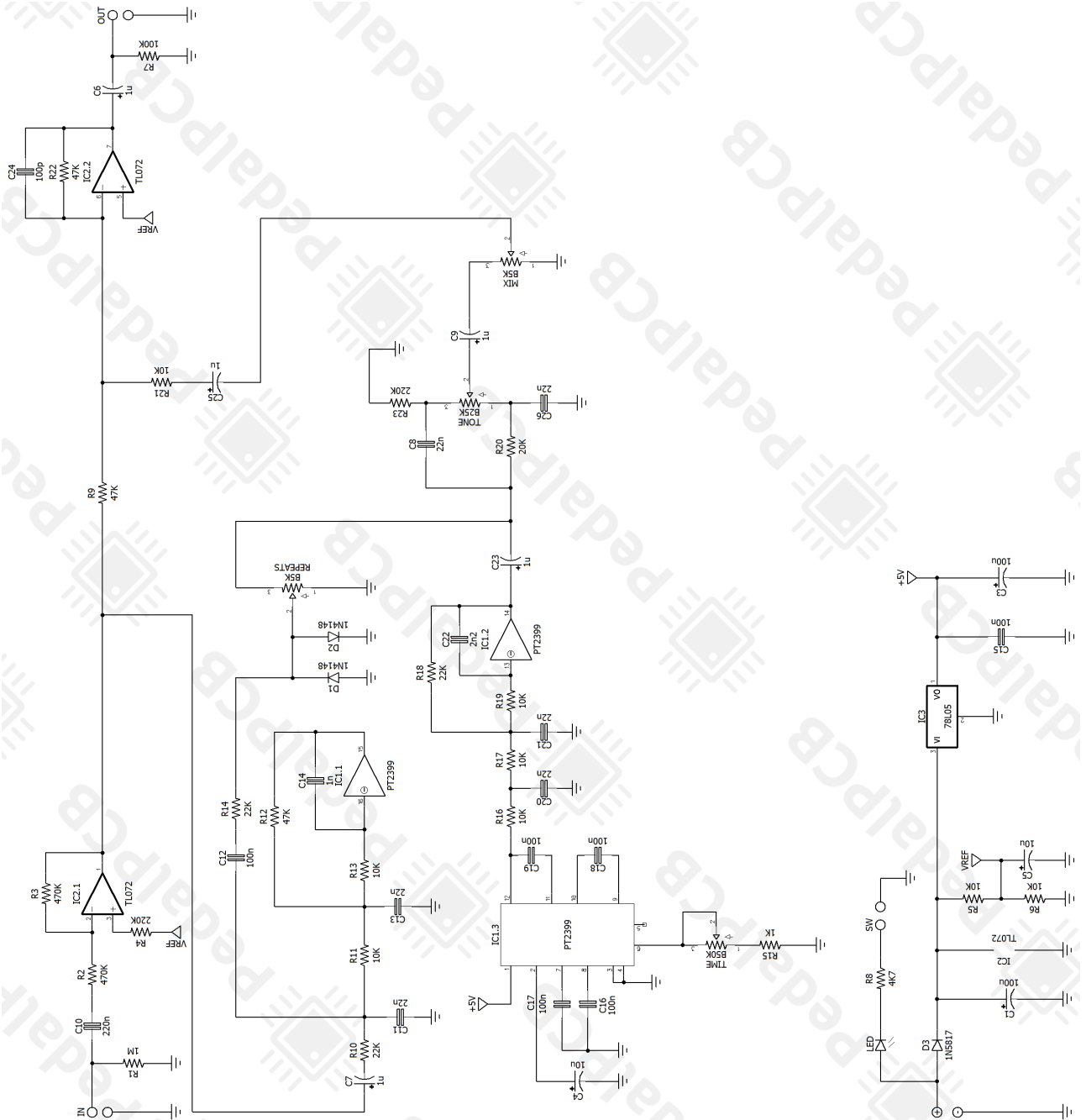
This document is for PCB revision 2, see the following link for previous version:
<https://www.pedalpcb.com/docs/Cataclysm.Rev1.pdf>

All trademarks and registered trademarks are the property of their respective owners. The company, product, and service names used in this web site are for identification purposes only. Use of these names, logos, and brands does not imply endorsement.

LOCATION	VALUE	TYPE	NOTES
R1	1M	Resistor, 1/4W	
R2	470K	Resistor, 1/4W	
R3	470K	Resistor, 1/4W	
R4	220K	Resistor, 1/4W	
R5	10K	Resistor, 1/4W	
R6	10K	Resistor, 1/4W	
R7	100K	Resistor, 1/4W	
R8	4K7	Resistor, 1/4W	
R9	47K	Resistor, 1/4W	
R10	22K	Resistor, 1/4W	
R11	10K	Resistor, 1/4W	
R12	47K	Resistor, 1/4W	
R13	10K	Resistor, 1/4W	
R14	22K	Resistor, 1/4W	
R15	1K	Resistor, 1/4W	
R16	10K	Resistor, 1/4W	
R17	10K	Resistor, 1/4W	
R18	22K	Resistor, 1/4W	
R19	10K	Resistor, 1/4W	
R20	20K	Resistor, 1/4W	
R21	10K	Resistor, 1/4W	
R22	47K	Resistor, 1/4W	
R23	220K	Resistor, 1/4W	
C1	100u	Electrolytic capacitor, 5mm	
C3	100u	Electrolytic capacitor, 5mm	
C4	10u	Electrolytic capacitor, 5mm	
C5	10u	Electrolytic capacitor, 5mm	
C6	1u	Electrolytic capacitor, 5mm	
C7	1u	Electrolytic capacitor, 5mm	
C8	22n	Film capacitor, 7.2 x 2.5mm	
C9	1u	Electrolytic capacitor, 5mm	
C10	220n	Film capacitor, 7.2 x 5.0mm	
C11	22n	Film capacitor, 7.2 x 2.5mm	
C12	100n	Film capacitor, 7.2 x 2.5mm	
C13	22n	Film capacitor, 7.2 x 2.5mm	
C14	1n	Film capacitor, 7.2 x 2.5mm	
C15	100n	Film capacitor, 7.2 x 2.5mm	
C16	100n	Film capacitor, 7.2 x 2.5mm	
C17	100n	Film capacitor, 7.2 x 2.5mm	
C18	100n	Film capacitor, 7.2 x 2.5mm	
C19	100n	Film capacitor, 7.2 x 2.5mm	
C20	22n	Film capacitor, 7.2 x 2.5mm	
C21	22n	Film capacitor, 7.2 x 2.5mm	
C22	2n2	Film capacitor, 7.2 x 2.5mm	
C23	1u	Electrolytic capacitor, 5mm	
C24	100p	Ceramic capacitor	

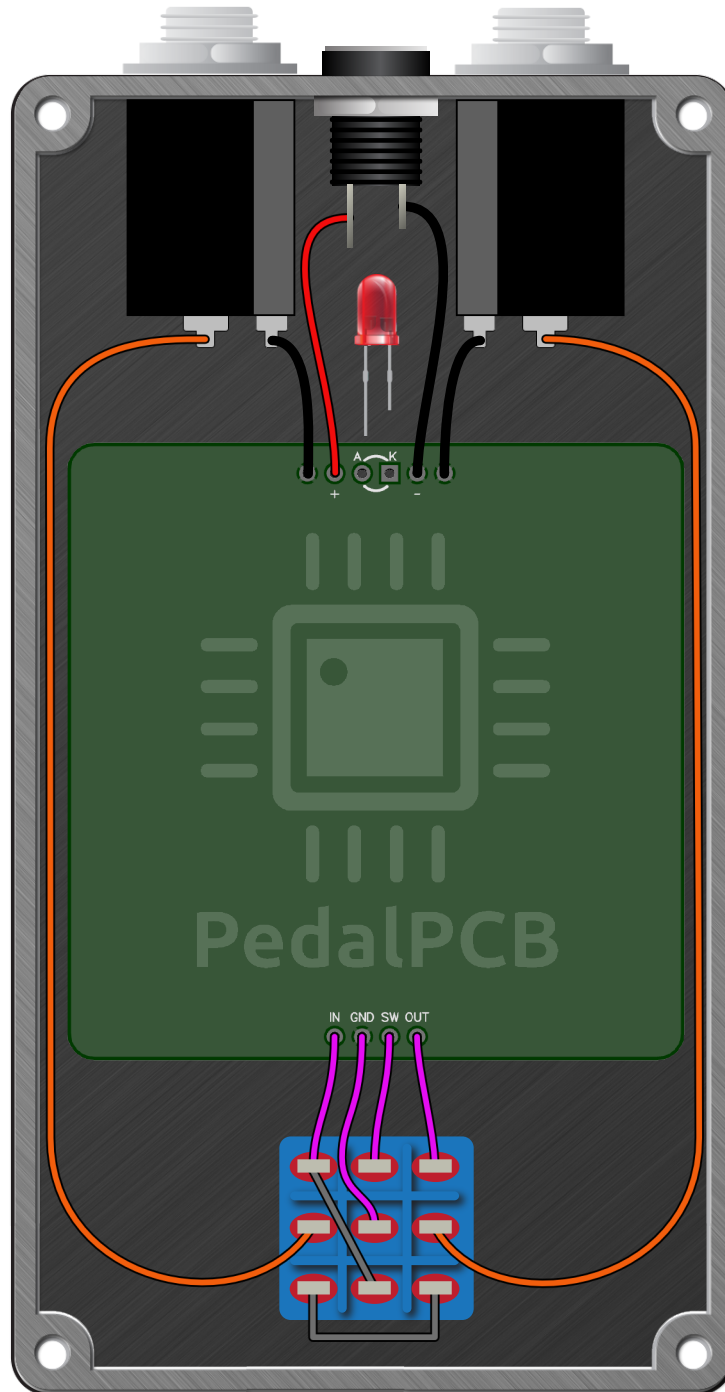
Cataclysm Delay

Schematic Diagram



Cataclysm Delay

Wiring Diagram



Cataclysm Delay

Drill Template
125B Enclosure

