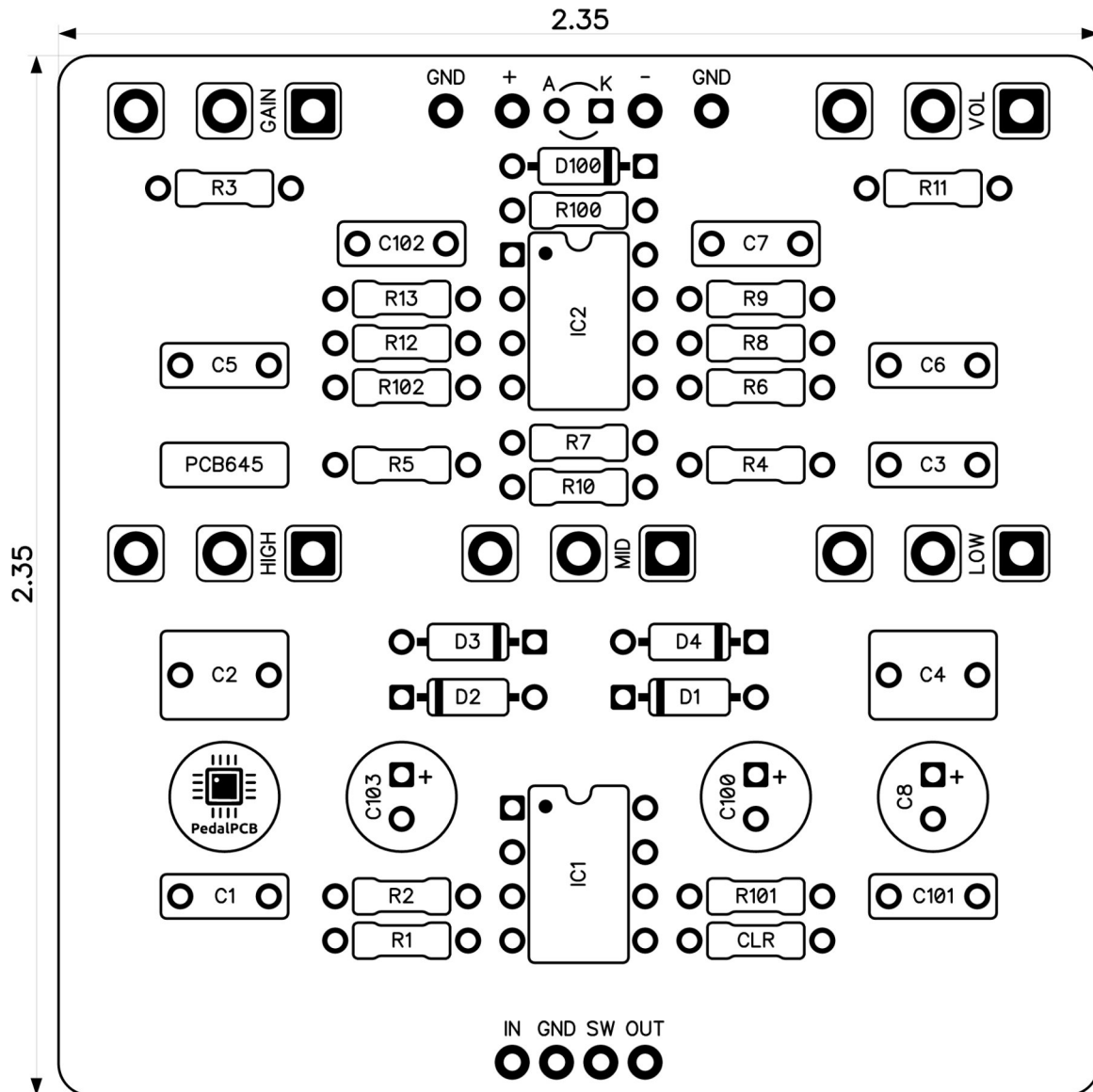


# PedalPCB

## Cast Iron Overdrive

Revised 12/30/23



### CONTROLS AND FEATURES

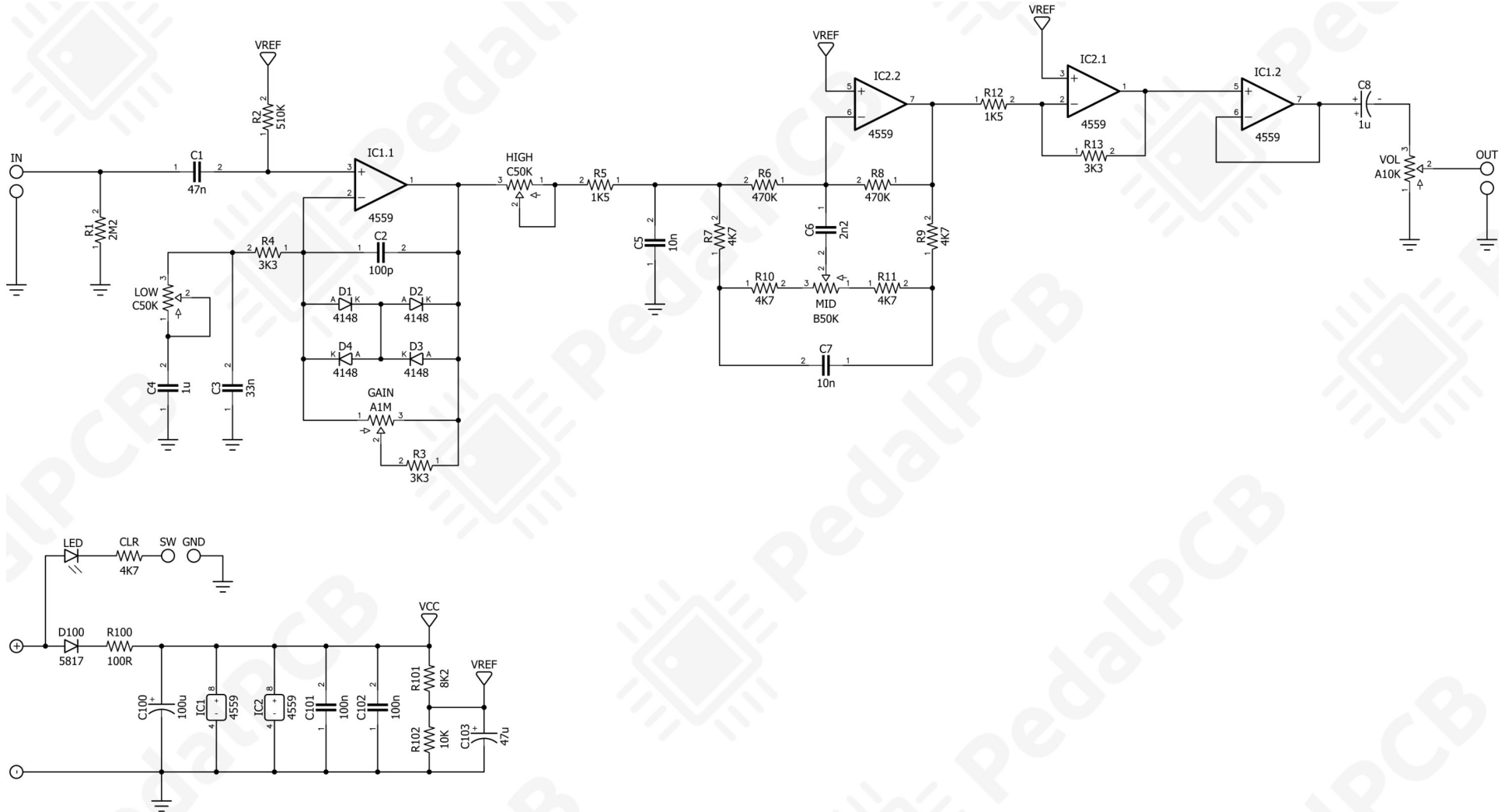
- Volume
- Gain
- Low
- Mid
- High

All trademarks and registered trademarks are the property of their respective owners. The company, product, and service names used in this web site are for identification purposes only. Use of these names, logos, and brands does not imply endorsement.

LOCATION	VALUE	TYPE	NOTES
R1	2M2	Resistor, 1/4W	
R2	510K	Resistor, 1/4W	
R3	3K3	Resistor, 1/4W	
R4	3K3	Resistor, 1/4W	
R5	1K5	Resistor, 1/4W	
R6	470K	Resistor, 1/4W	
R7	4K7	Resistor, 1/4W	
R8	470K	Resistor, 1/4W	
R9	4K7	Resistor, 1/4W	
R10	4K7	Resistor, 1/4W	
R11	4K7	Resistor, 1/4W	
R12	1K5	Resistor, 1/4W	
R13	3K3	Resistor, 1/4W	
R100	100R	Resistor, 1/4W	
R101	8K2	Resistor, 1/4W	
R102	10K	Resistor, 1/4W	
CLR	4K7	Resistor, 1/4W	* LED current limiting resistor
C1	47n	Film capacitor, 7.2 x 2.5mm	
C2	100p	Ceramic capacitor	
C3	33n	Film capacitor, 7.2 x 2.5mm	
C4	1u	Film capacitor, 7.2 x 5.0mm	
C5	10n	Film capacitor, 7.2 x 2.5mm	
C6	2n2	Film capacitor, 7.2 x 2.5mm	
C7	10n	Film capacitor, 7.2 x 2.5mm	
C8	1u	Electrolytic capacitor, 5mm	
C100	100u	Electrolytic capacitor, 5mm	
C101	100n	Film capacitor, 7.2 x 2.5mm	
C102	100n	Film capacitor, 7.2 x 2.5mm	
C103	47u	Electrolytic capacitor, 5mm	
D1	1N4148	Signal diode, DO-35	
D2	1N4148	Signal diode, DO-35	
D3	1N4148	Signal diode, DO-35	
D4	1N4148	Signal diode, DO-35	
D100	1N5817	Schottky diode, DO-41	
IC1	RC4559	Dual op-amp, DIP8	
IC2	RC4559	Dual op-amp, DIP8	
VOL	A10K	16mm right-angle PCB mount pot	
GAIN	A1M	16mm right-angle PCB mount pot	
LOW	C50K	16mm right-angle PCB mount pot	
MID	B50K	16mm right-angle PCB mount pot	
HIGH	C50K	16mm right-angle PCB mount pot	

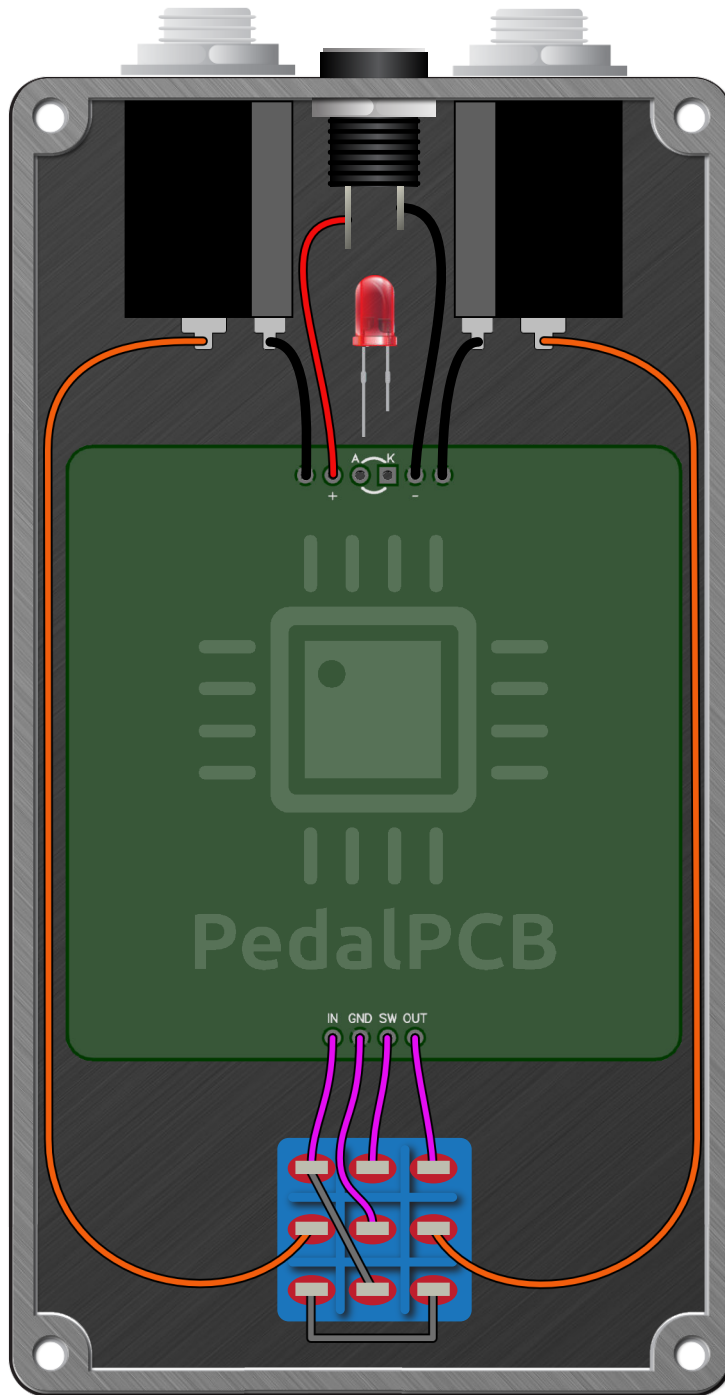
# Cast Iron Overdrive

Schematic Diagram



# Cast Iron Overdrive

## Wiring Diagram



# Cast Iron Overdrive

Drill Template  
125B Enclosure

