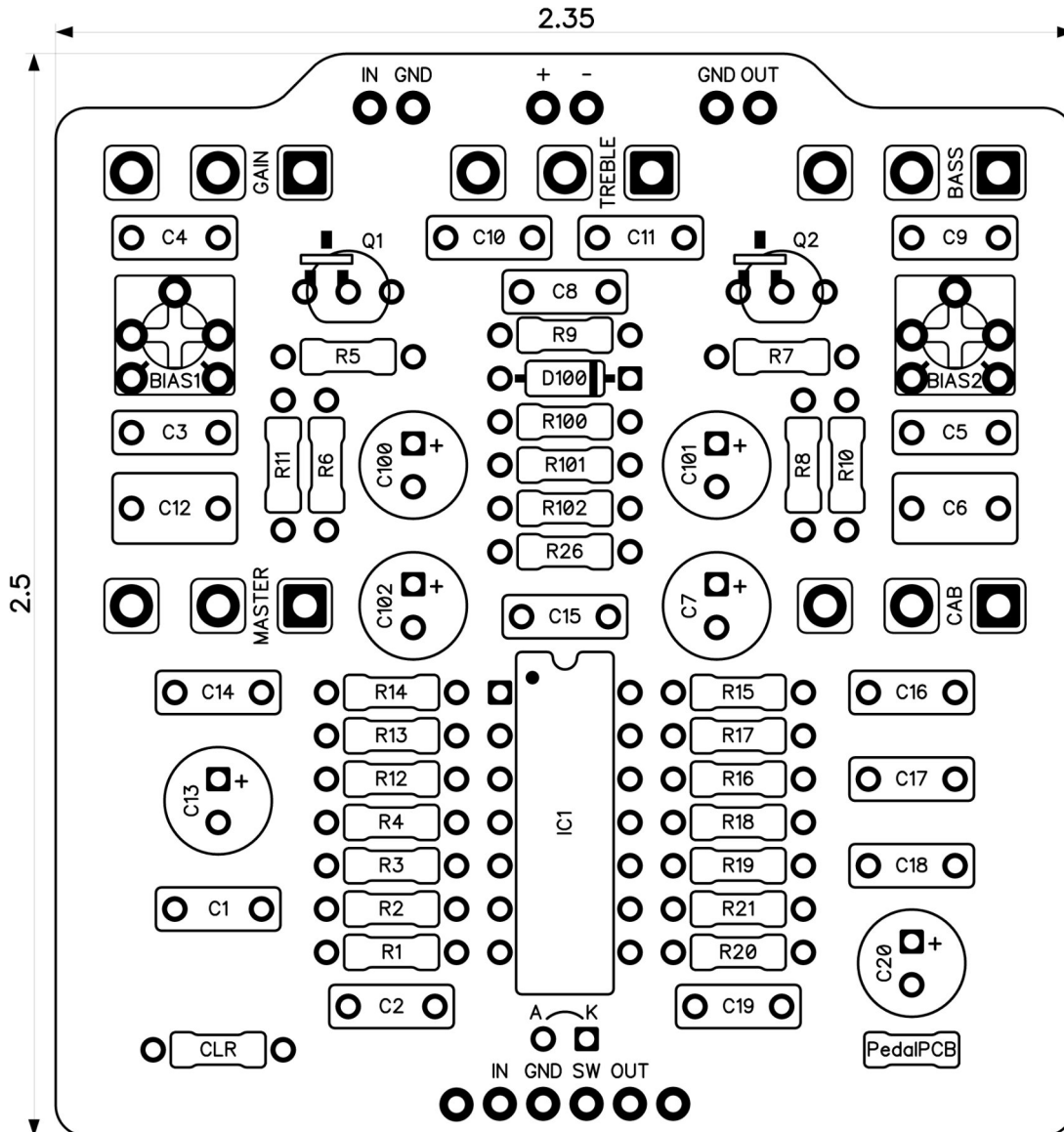


PedalPCB

Capsize Bass Preamp

Revised 10/4/25



CONTROLS AND FEATURES

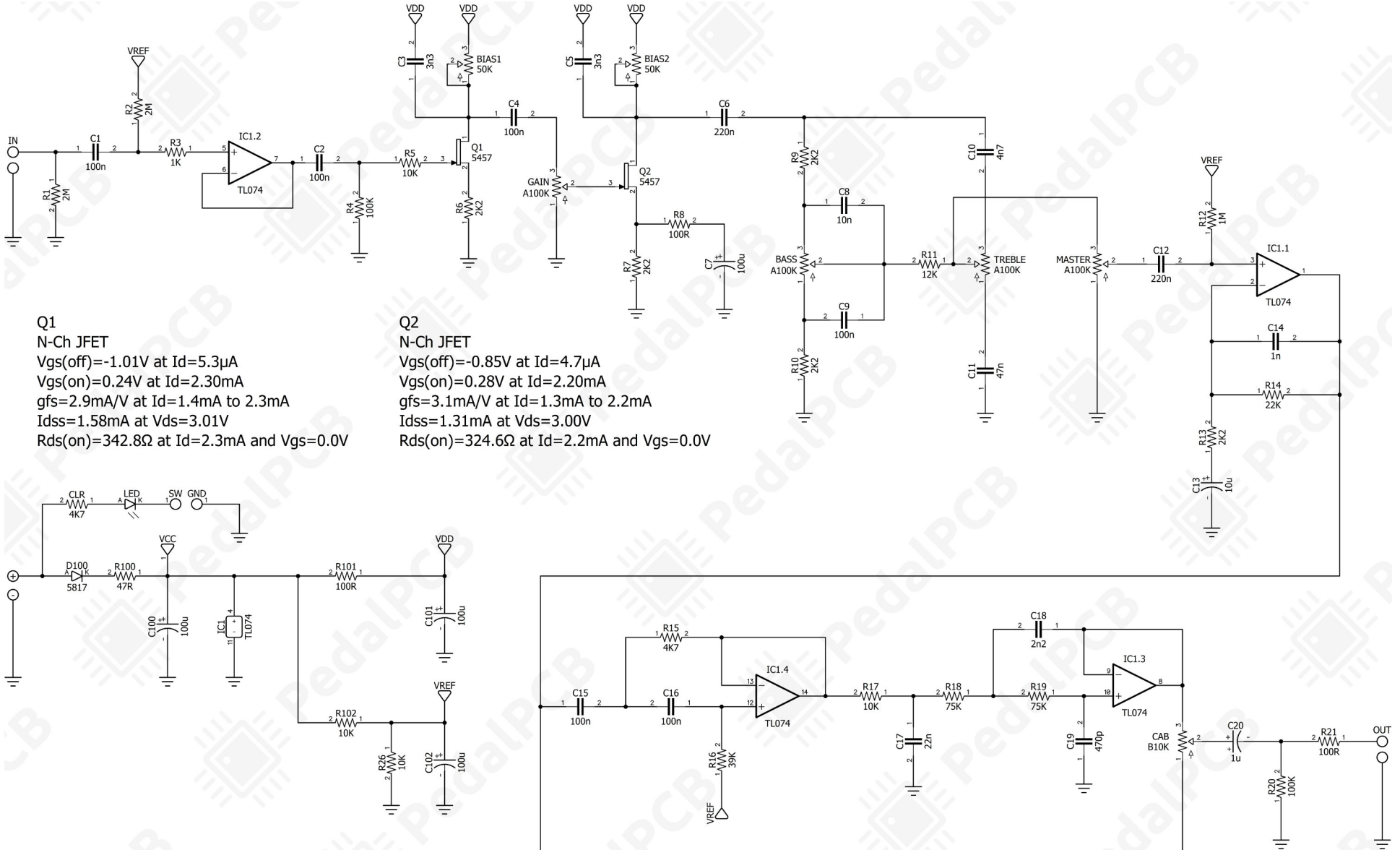
- Bass
- Treble
- Gain
- Cab
- Master

All trademarks and registered trademarks are the property of their respective owners. The company, product, and service names used in this web site are for identification purposes only. Use of these names, logos, and brands does not imply endorsement.

LOCATION	VALUE	TYPE	NOTES
R1	2M	Resistor, 1/4W	
R2	2M	Resistor, 1/4W	
R3	1K	Resistor, 1/4W	
R4	100K	Resistor, 1/4W	
R5	10K	Resistor, 1/4W	
R6	2K2	Resistor, 1/4W	
R7	2K2	Resistor, 1/4W	
R8	100R	Resistor, 1/4W	
R9	2K2	Resistor, 1/4W	
R10	2K2	Resistor, 1/4W	
R11	12K	Resistor, 1/4W	
R12	1M	Resistor, 1/4W	
R13	2K2	Resistor, 1/4W	
R14	22K	Resistor, 1/4W	
R15	4K7	Resistor, 1/4W	
R16	39K	Resistor, 1/4W	
R17	10K	Resistor, 1/4W	
R18	75K	Resistor, 1/4W	
R19	75K	Resistor, 1/4W	
R20	100K	Resistor, 1/4W	
R21	100R	Resistor, 1/4W	
R26	10K	Resistor, 1/4W	
R100	47R	Resistor, 1/4W	
R101	100R	Resistor, 1/4W	
R102	10K	Resistor, 1/4W	
CLR	4K7	Resistor, 1/4W	* LED current limiting resistor
C1	100n	Film capacitor, 7.2 x 2.5mm	
C2	100n	Film capacitor, 7.2 x 2.5mm	
C3	3n3	Film capacitor, 7.2 x 2.5mm	
C4	100n	Film capacitor, 7.2 x 2.5mm	
C5	3n3	Film capacitor, 7.2 x 2.5mm	
C6	220n	Film capacitor, 7.2 x 5.0mm	
C7	100u	Electrolytic capacitor, 5mm	
C8	10n	Film capacitor, 7.2 x 2.5mm	
C9	100n	Film capacitor, 7.2 x 2.5mm	
C10	4n7	Film capacitor, 7.2 x 2.5mm	
C11	47n	Film capacitor, 7.2 x 2.5mm	
C12	220n	Film capacitor, 7.2 x 5.0mm	
C13	10u	Electrolytic capacitor, 5mm	
C14	1n	Film capacitor, 7.2 x 2.5mm	
C15	100n	Film capacitor, 7.2 x 2.5mm	
C16	100n	Film capacitor, 7.2 x 2.5mm	
C17	22n	Film capacitor, 7.2 x 2.5mm	
C18	2n2	Film capacitor, 7.2 x 2.5mm	
C19	470p	Ceramic capacitor	
C20	1u	Electrolytic capacitor, 5mm	
C100	100u	Electrolytic capacitor, 5mm	
C101	100u	Electrolytic capacitor, 5mm	
C102	100u	Electrolytic capacitor, 5mm	
D100	1N5817	Schottky diode, DO-41	
Q1	2N5457	JFET transistor, N-channel	
Q2	2N5457	JFET transistor, N-channel	
IC1	TL074	Quad op-amp, DIP14	
BIAS1	50K	Trimmer potentiometer, 3362P type	
BIAS2	50K	Trimmer potentiometer, 3362P type	
BASS	A100K	16mm right-angle PCB mount pot	
CAB	B10K	16mm right-angle PCB mount pot	
GAIN	A100K	16mm right-angle PCB mount pot	
MASTER	A100K	16mm right-angle PCB mount pot	
TREBLE	A100K	16mm right-angle PCB mount pot	

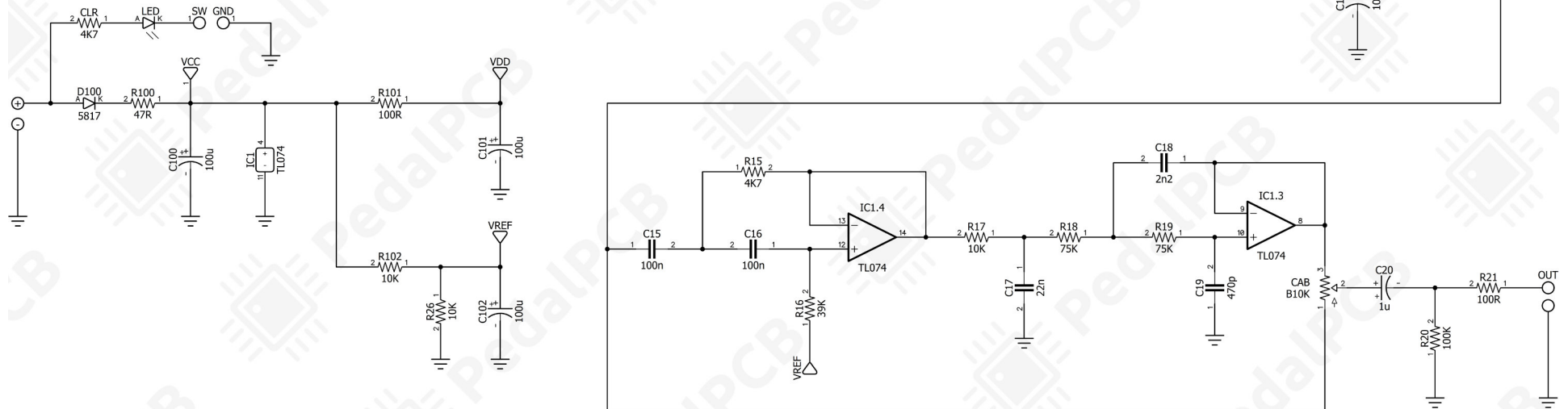
Capsize Bass Preamp

Schematic Diagram



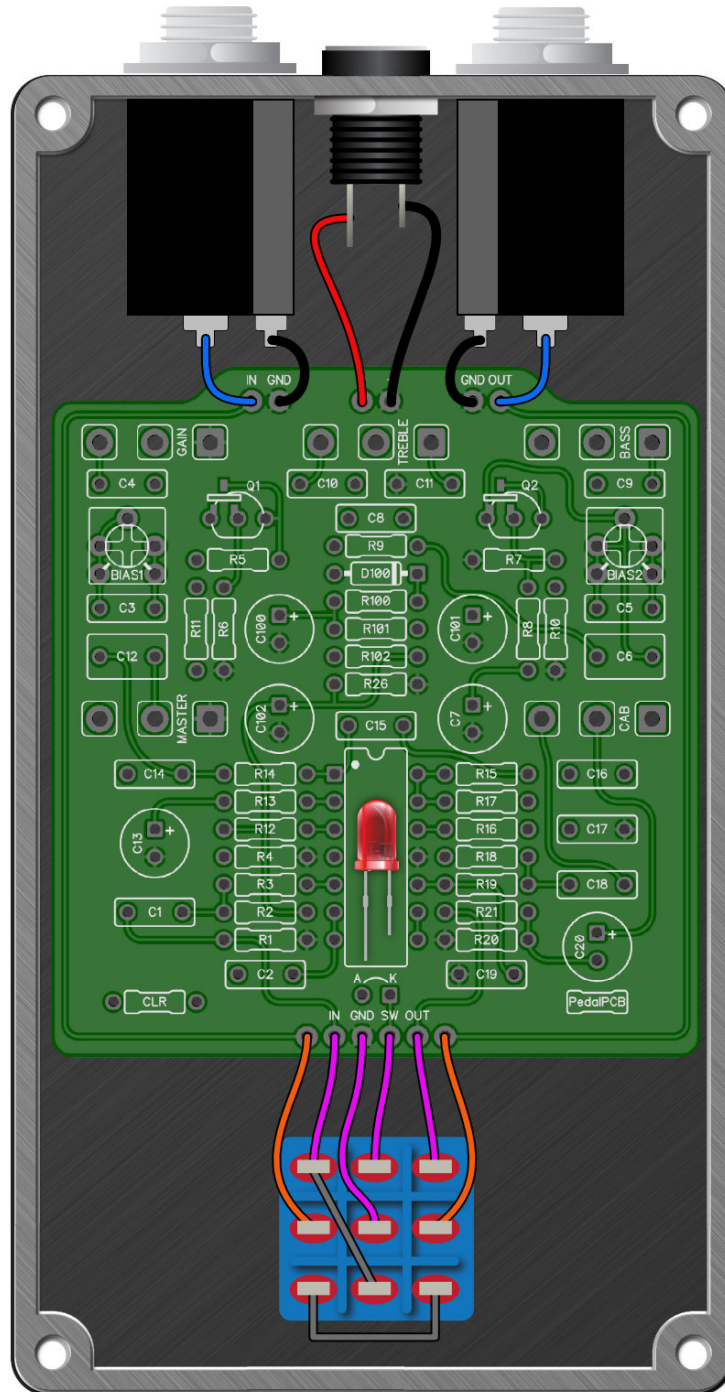
Q1
 N-Ch JFET
 $V_{gs(off)} = -1.01V$ at $I_d = 5.3\mu A$
 $V_{gs(on)} = 0.24V$ at $I_d = 2.30mA$
 $g_{fs} = 2.9mA/V$ at $I_d = 1.4mA$ to $2.3mA$
 $I_{dss} = 1.58mA$ at $V_{ds} = 3.01V$
 $R_{ds(on)} = 342.8\Omega$ at $I_d = 2.3mA$ and $V_{gs} = 0.0V$

Q2
 N-Ch JFET
 $V_{gs(off)} = -0.85V$ at $I_d = 4.7\mu A$
 $V_{gs(on)} = 0.28V$ at $I_d = 2.20mA$
 $g_{fs} = 3.1mA/V$ at $I_d = 1.3mA$ to $2.2mA$
 $I_{dss} = 1.31mA$ at $V_{ds} = 3.00V$
 $R_{ds(on)} = 324.6\Omega$ at $I_d = 2.2mA$ and $V_{gs} = 0.0V$



Capsize Bass Preamp

Wiring Diagram



Capsize Bass Preamp

Drill Template
125B Enclosure

