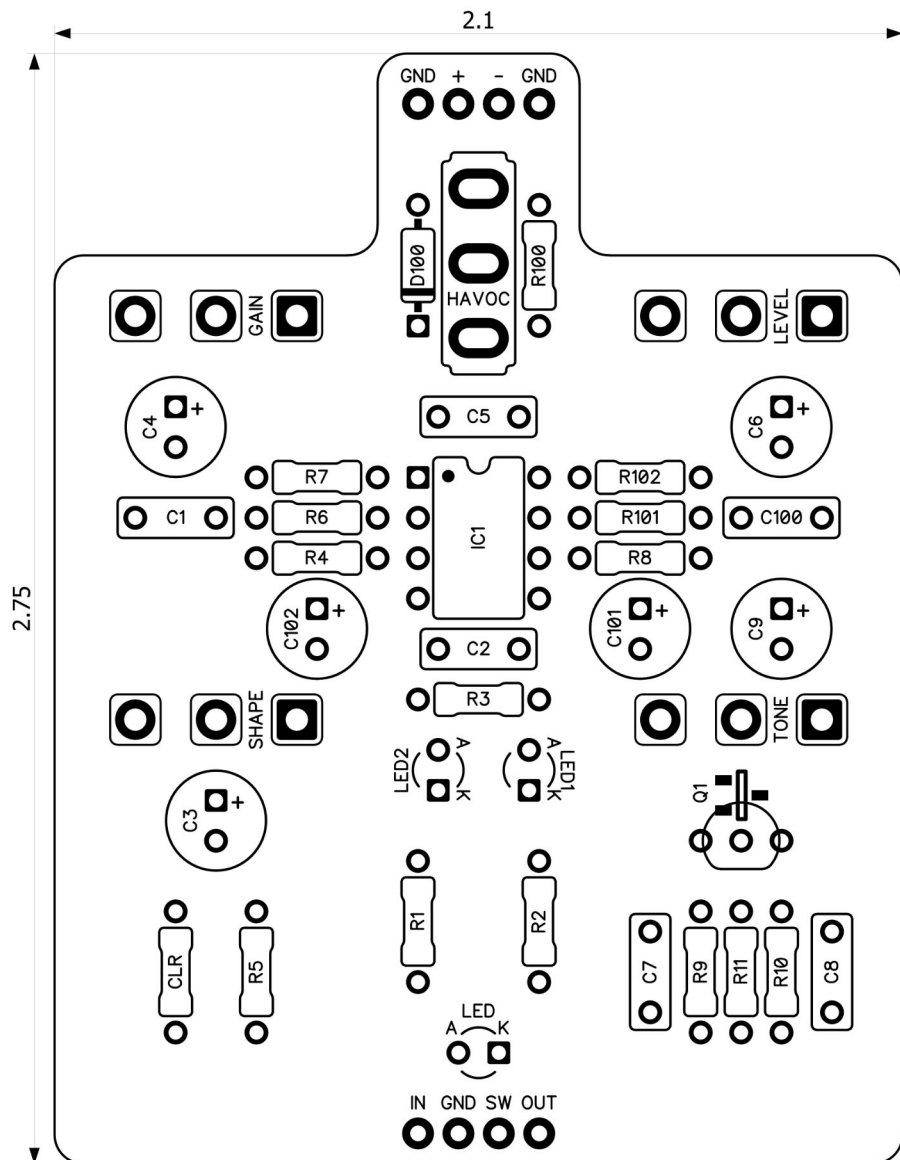


Cannon Fodder MKI Distortion

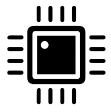
Revised 12/19/23



CONTROLS AND FEATURES

- Level
- Gain
- Tone
- Shape
- Havoc (Toggle switch)

All trademarks and registered trademarks are the property of their respective owners. The company, product, and service names used in this web site are for identification purposes only. Use of these names, logos, and brands does not imply endorsement.



LOCATION	VALUE	TYPE	NOTES
R1	1M	Resistor, 1/4W	
R2	100K	Resistor, 1/4W	
R3	1M	Resistor, 1/4W	
R4	1K	Resistor, 1/4W	
R5	180R	Resistor, 1/4W	
R6	820R	Resistor, 1/4W	
R7	2K2	Resistor, 1/4W	
R8	1K	Resistor, 1/4W	
R9	1K	Resistor, 1/4W	
R10	1M	Resistor, 1/4W	
R11	10K	Resistor, 1/4W	
R100	47R	Resistor, 1/4W	
R101	100K	Resistor, 1/4W	
R102	100K	Resistor, 1/4W	
CLR	4K7	Resistor, 1/4W	* LED current limiting resistor
C1	47n	Film capacitor, 7.2 x 2.5mm	
C2	1n	Film capacitor, 7.2 x 2.5mm	
C3	3u3	Electrolytic capacitor, 5mm	
C4	4u7	Electrolytic capacitor, 5mm	
C5	100p	Ceramic capacitor	
C6	4u7	Electrolytic capacitor, 5mm	
C7	10n	Film capacitor, 7.2 x 2.5mm	
C8	22n	Film capacitor, 7.2 x 2.5mm	
C9	1u	Electrolytic capacitor, 5mm	
C100	10n	Film capacitor, 7.2 x 2.5mm	
C101	100u	Electrolytic capacitor, 5mm	
C102	4u7	Electrolytic capacitor, 5mm	
D100	1N5817	Schottky diode, DO-41	
LED1	3mm Red	3mm Red LED, Diffused	
LED2	3mm Green	3mm Green LED, Diffused	
Q1	J201	JFET transistor, N-channel	
IC1	TL071	Single op-amp, DIP8	
LEVEL	A100K	16mm right-angle PCB mount pot	
GAIN	A100K	16mm right-angle PCB mount pot	
TONE	B50K	16mm right-angle PCB mount pot	
SHAPE	B1K	16mm right-angle PCB mount pot	
HAVOC	ON/ON	Toggle switch, SPDT	2-position (ON/ON)

Cannon Fodder MKI Distortion

Wiring Diagram

