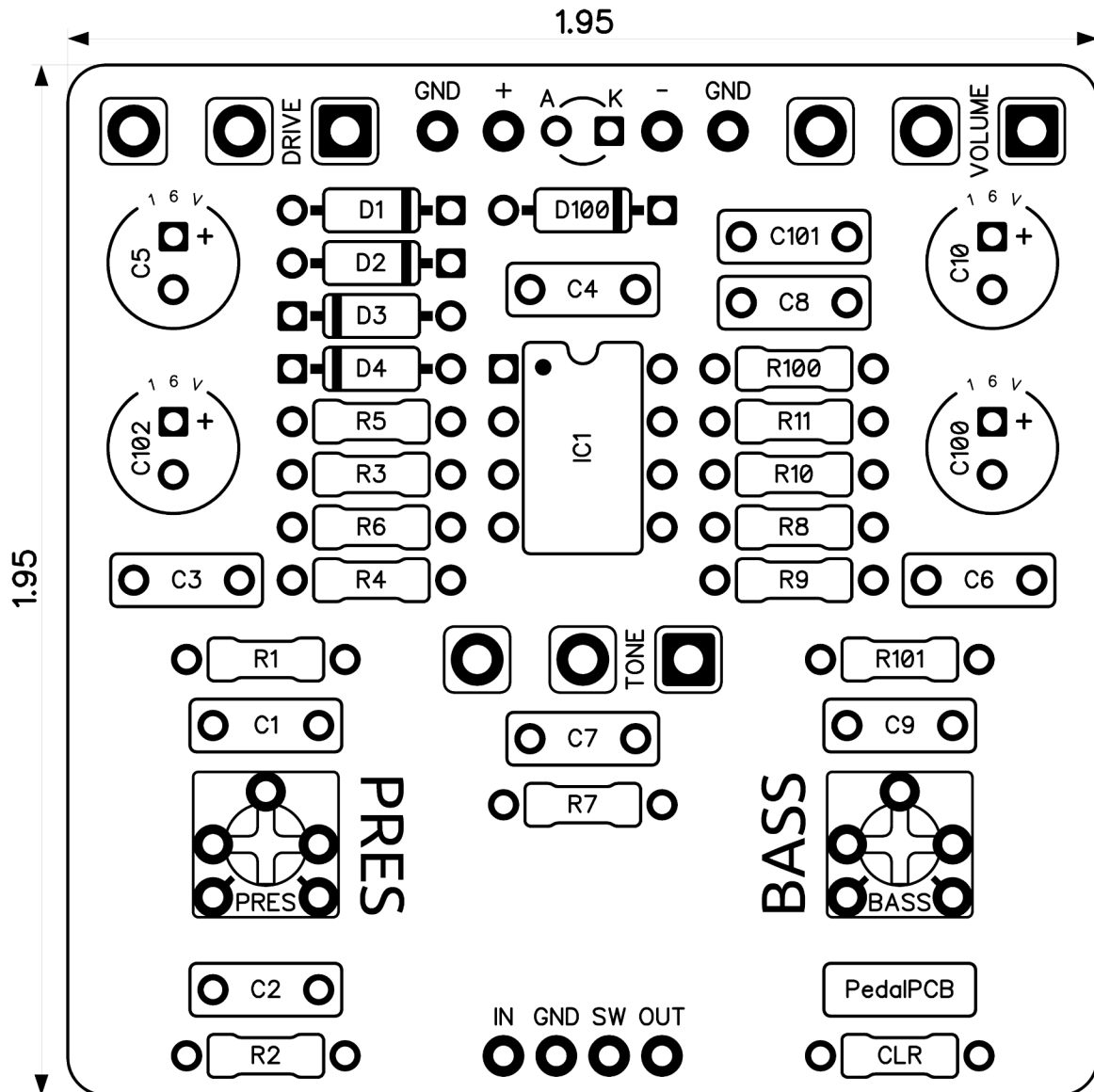


PedalPCB

Canis Distortion

Revised 12/14/23



CONTROLS AND FEATURES

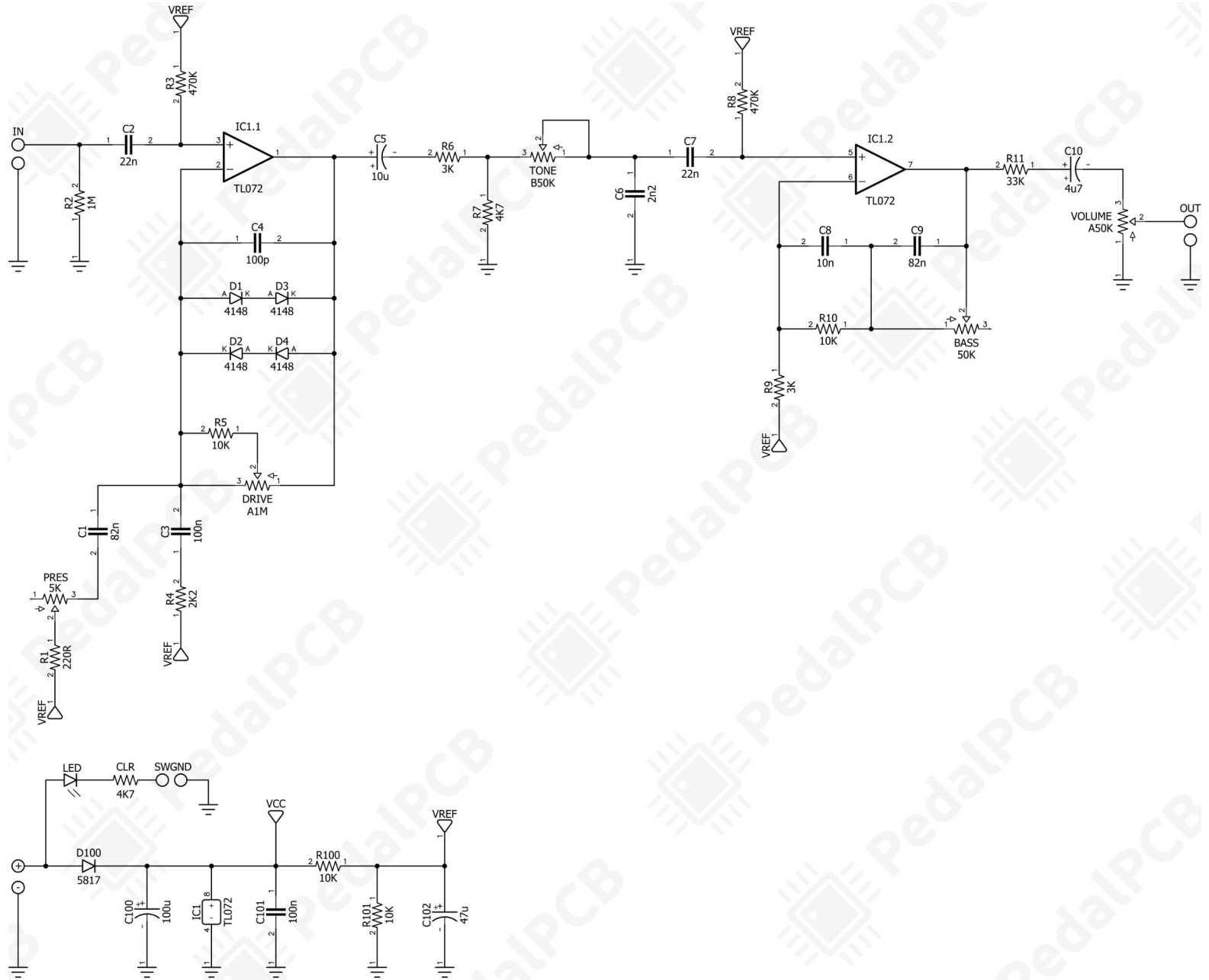
- Volume
- Drive
- Tone
- Presence (Trim pot)
- Bass (Trim pot)

All trademarks and registered trademarks are the property of their respective owners. The company, product, and service names used in this web site are for identification purposes only. Use of these names, logos, and brands does not imply endorsement.

LOCATION	VALUE	TYPE	NOTES
R1	220R	Resistor, 1/4W	
R2	1M	Resistor, 1/4W	
R3	470K	Resistor, 1/4W	
R4	2K2	Resistor, 1/4W	
R5	10K	Resistor, 1/4W	
R6	3K	Resistor, 1/4W	
R7	4K7	Resistor, 1/4W	
R8	470K	Resistor, 1/4W	
R9	3K	Resistor, 1/4W	
R10	10K	Resistor, 1/4W	
R11	33K	Resistor, 1/4W	
R100	10K	Resistor, 1/4W	
R101	10K	Resistor, 1/4W	
CLR	4K7	Resistor, 1/4W	* LED current limiting resistor
C1	82n	Film capacitor, 7.2 x 2.5mm	
C2	22n	Film capacitor, 7.2 x 2.5mm	
C3	100n	Film capacitor, 7.2 x 2.5mm	
C4	100p	Ceramic capacitor	
C5	10u	Electrolytic capacitor, 5mm	
C6	2n2	Film capacitor, 7.2 x 2.5mm	
C7	22n	Film capacitor, 7.2 x 2.5mm	
C8	10n	Film capacitor, 7.2 x 2.5mm	
C9	82n	Film capacitor, 7.2 x 2.5mm	
C10	4u7	Electrolytic capacitor, 5mm	
C100	100u	Electrolytic capacitor, 5mm	
C101	100n	Film capacitor, 7.2 x 2.5mm	
C102	47u	Electrolytic capacitor, 5mm	
D1	1N4148	Signal diode, DO-35	
D2	1N4148	Signal diode, DO-35	
D3	1N4148	Signal diode, DO-35	
D4	1N4148	Signal diode, DO-35	
D100	1N5817	Schottky diode, DO-41	
IC1	TL072	Dual op-amp, DIP8	
BASS	50K	Trimmer potentiometer, 3362P type	
PRES	5K	Trimmer potentiometer, 3362P type	
VOLUME	A50K	16mm right-angle PCB mount pot	
TONE	B50K	16mm right-angle PCB mount pot	
DRIVE	A1M	16mm right-angle PCB mount pot	

Canis Distortion

Schematic Diagram



Canis Distortion

Wiring Diagram



Canis Distortion

Drill Template
125B Enclosure

