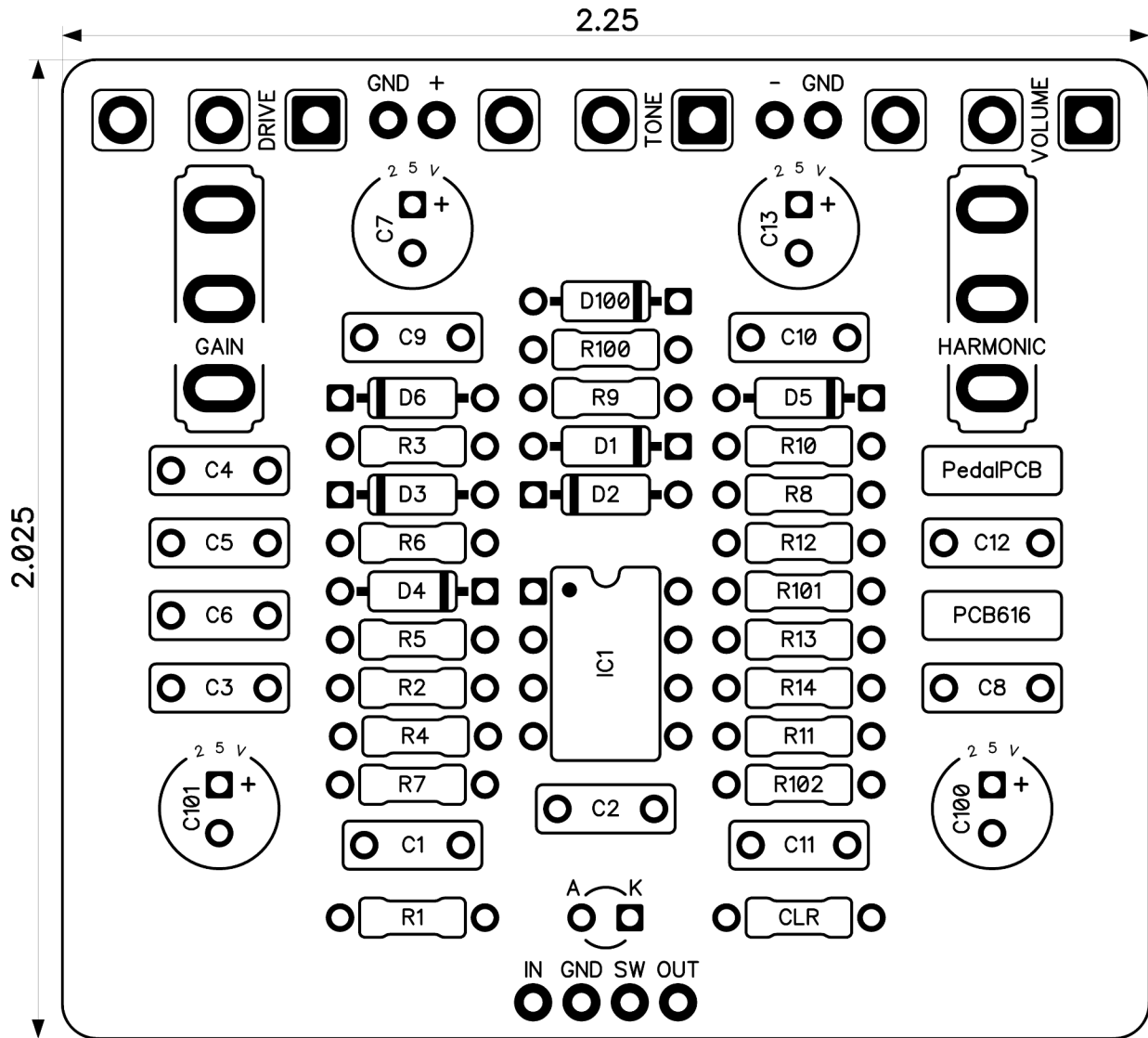




# Candid Drive

Revised 1/9/24



## CONTROLS AND FEATURES

- Volume
- Tone
- Drive
- Harmonic (Toggle switch)
- Gain (Toggle switch)

All trademarks and registered trademarks are the property of their respective owners. The company, product, and service names used in this web site are for identification purposes only. Use of these names, logos, and brands does not imply endorsement.

| LOCATION | VALUE   | TYPE                           | NOTES                           |
|----------|---------|--------------------------------|---------------------------------|
| R1       | 1M      | Resistor, 1/4W                 |                                 |
| R2       | 470K    | Resistor, 1/4W                 |                                 |
| R3       | 10K     | Resistor, 1/4W                 |                                 |
| R4       | 5K1     | Resistor, 1/4W                 |                                 |
| R5       | 15K     | Resistor, 1/4W                 |                                 |
| R6       | 2K4     | Resistor, 1/4W                 |                                 |
| R7       | 2K2     | Resistor, 1/4W                 |                                 |
| R8       | 3K      | Resistor, 1/4W                 |                                 |
| R9       | 33K     | Resistor, 1/4W                 |                                 |
| R10      | 4K7     | Resistor, 1/4W                 |                                 |
| R11      | 470K    | Resistor, 1/4W                 |                                 |
| R12      | 9K1     | Resistor, 1/4W                 |                                 |
| R13      | 27K     | Resistor, 1/4W                 |                                 |
| R14      | 3K      | Resistor, 1/4W                 |                                 |
| R100     | 91R     | Resistor, 1/4W                 |                                 |
| R101     | 10K     | Resistor, 1/4W                 |                                 |
| R102     | 10K     | Resistor, 1/4W                 |                                 |
| CLR      | 4K7     | Resistor, 1/4W                 | * LED current limiting resistor |
| C1       | 22n     | Film capacitor, 7.2 x 2.5mm    |                                 |
| C2       | 100p    | Ceramic capacitor              |                                 |
| C3       | 10n     | Film capacitor, 7.2 x 2.5mm    |                                 |
| C4       | 22n     | Film capacitor, 7.2 x 2.5mm    |                                 |
| C5       | 82n     | Film capacitor, 7.2 x 2.5mm    |                                 |
| C6       | 100n    | Film capacitor, 7.2 x 2.5mm    |                                 |
| C7       | 10u     | Electrolytic capacitor, 5mm    |                                 |
| C8       | 3n3     | Film capacitor, 7.2 x 2.5mm    |                                 |
| C9       | 2n2     | Film capacitor, 7.2 x 2.5mm    |                                 |
| C10      | 22n     | Film capacitor, 7.2 x 2.5mm    |                                 |
| C11      | 10n     | Film capacitor, 7.2 x 2.5mm    |                                 |
| C12      | 82n     | Film capacitor, 7.2 x 2.5mm    |                                 |
| C13      | 4u7     | Electrolytic capacitor, 5mm    |                                 |
| C100     | 100u    | Electrolytic capacitor, 5mm    |                                 |
| C101     | 47u     | Electrolytic capacitor, 5mm    |                                 |
| D1       | 1N4148  | Signal diode, DO-35            |                                 |
| D2       | 1N4148  | Signal diode, DO-35            |                                 |
| D3       | 1N4148  | Signal diode, DO-35            |                                 |
| D4       | 1N4148  | Signal diode, DO-35            |                                 |
| D5       | 1N4148  | Signal diode, DO-35            |                                 |
| D6       | 1N4148  | Signal diode, DO-35            |                                 |
| D100     | 1N5817  | Schottky diode, DO-41          |                                 |
| IC1      | JRC4558 | Dual op-amp, DIP8              |                                 |
| VOLUME   | A100K   | 16mm right-angle PCB mount pot |                                 |
| TONE     | B50K    | 16mm right-angle PCB mount pot |                                 |
| DRIVE    | A1M     | 16mm right-angle PCB mount pot |                                 |
| HARMONIC | ON/ON   | Toggle switch, SPDT            | 2-position (ON/ON)              |
| GAIN     | ON/ON   | Toggle switch, SPDT            | 2-position (ON/ON)              |

# Candid Drive

Schematic Diagram

