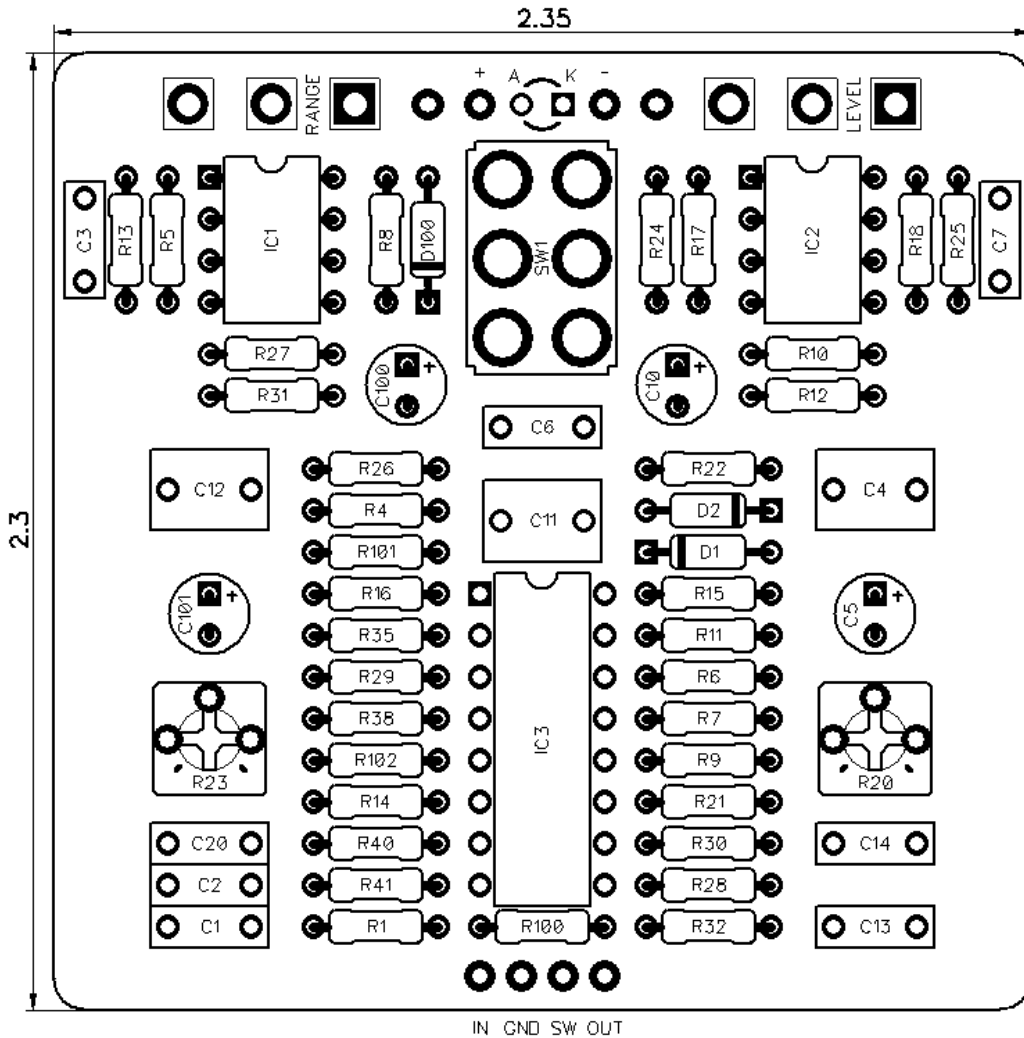


PedalPCB

CDXL Reissue Envelope Filter

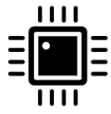
Revision 02.15.20



Controls

- Level
- Range
- Direction (Toggle Switch)

All trademarks and registered trademarks are the property of their respective owners. The company, product, and service names used in this web site are for identification purposes only. Use of these names, logos, and brands does not imply endorsement.



PedalPCB CDXL Reissue Envelope Filter

Parts List

RESISTORS (1/4W)

R1 2M2
R4 10K
R5 470K
R6 1K
R7 1K
R8 22K
R9 10K
R10 150K
R11 1K
R12 4K7
R13 10K
R14 6K8
R15 15K
R16 15K
R17 470K
R18 470K
R21 51K
R22 470R
R24 2M2
R25 4K7
R26 2M2
R27 10K
R28 22K
R29 22K
R30 22K
R31 470R
R32 10K
R35 1K
R38 1K
R40 22K
R41 22K
R100 4K7
R101 10K
R102 10K

CAPACITORS

C1 150p
C2 47n
C3 3n3
C4 1u
C5 4u7
C6 100p
C7 100n
C10 10u
C11 1u
C12 1u
C13 150p
C14 10n
C20 10n
C100 100u
C101 10u

INTEGRATED CIRCUITS

IC1 TL062
IC2 LM358
IC3 LM13700

DIODES

D1 1N4148
D2 1N4148
D100 1N5817

POTENTIOMETERS

RANGE B100K
LEVEL C100K

TRIM POTS (3362P Type)

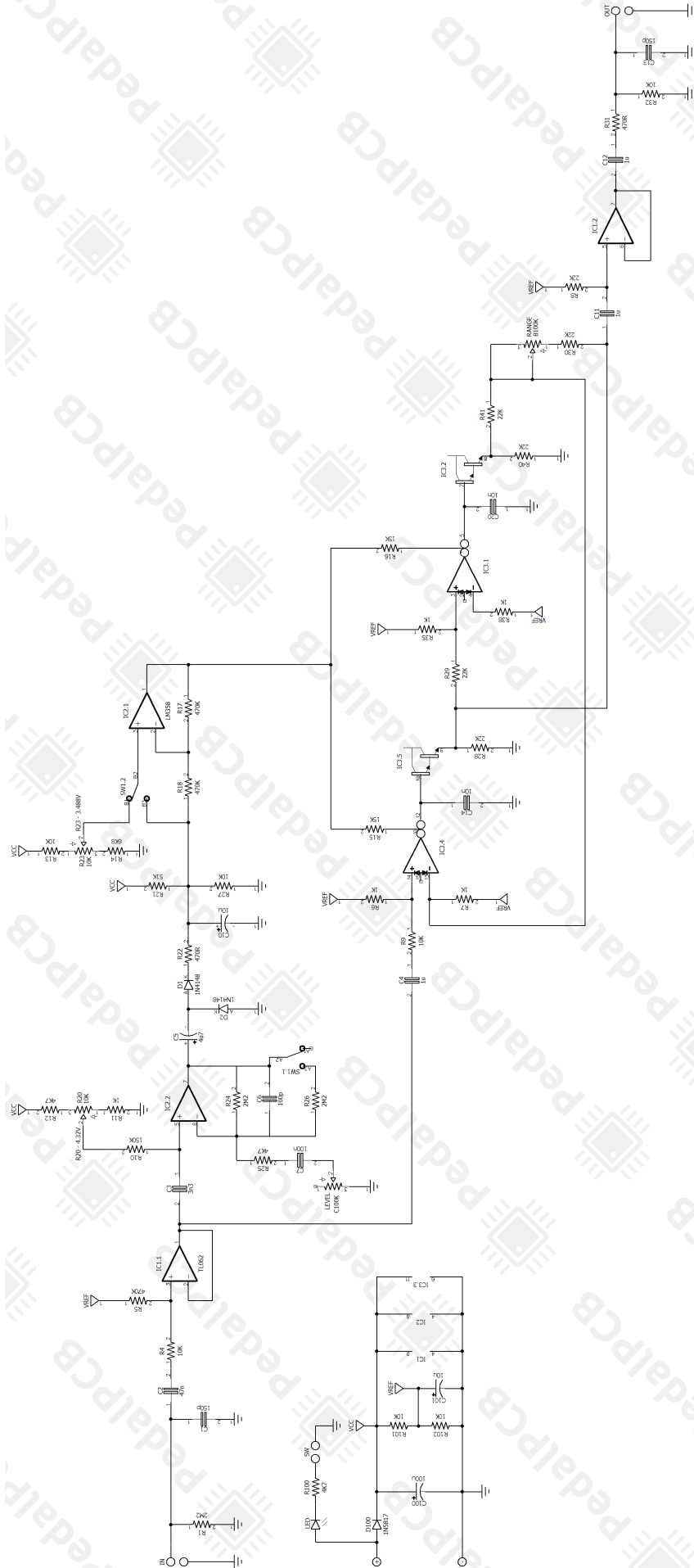
R23 10K
R20 10K

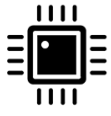
SWITCHES

SW1 DPDT On/On

Common offboard components (enclosure, footswitch, jacks, etc) are not listed

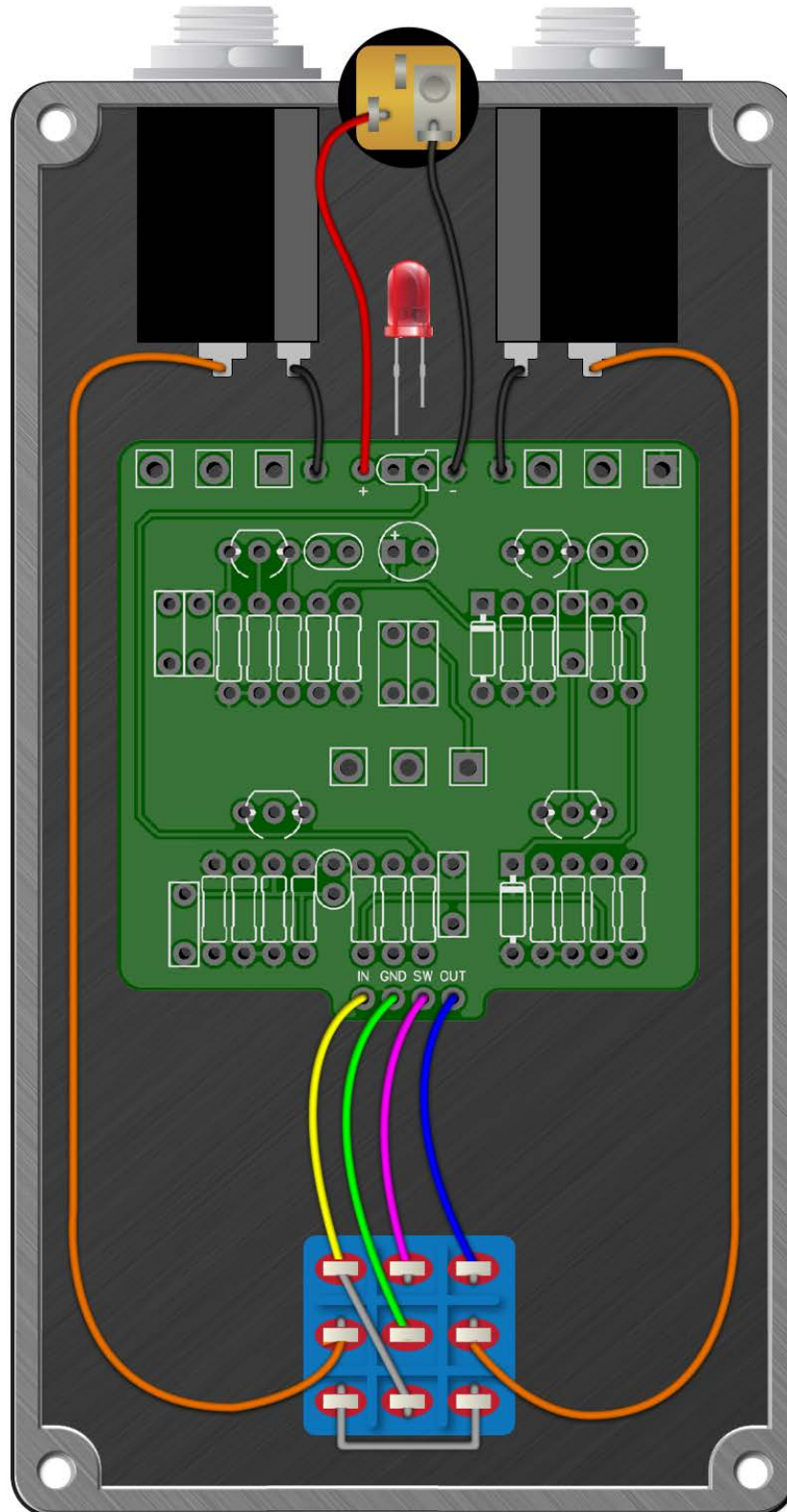
CDXL Reissue Envelope Filter

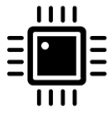




PedalPCB CDXL Reissue Envelope Filter

Wiring Diagram





PedalPCB

CDXL Reissue Envelope Filter

Drill Template
125B Enclosure

