

The **PedalPCB C-Buffer Module** provides a high impedance Class A unity gain input buffer that can seamlessly be added to any true-bypass guitar effect. Pin-for-pin compatible interface ensures easy installation into almost any PedalPCB project.

Parts List

RESISTORS (1/4W)

R1	10M
R2	1K
R3	120K
R4	200K
R5	120K
R6	7K5
R7	20K
R8	51R

CAPACITORS

C1	100n
C2	4u7
C3	1n
C4	22u
C5	220u

DIODES

D1	1N5817
----	--------

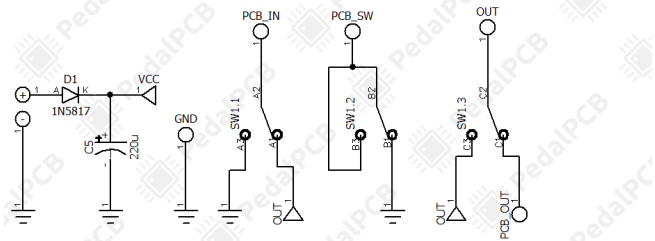
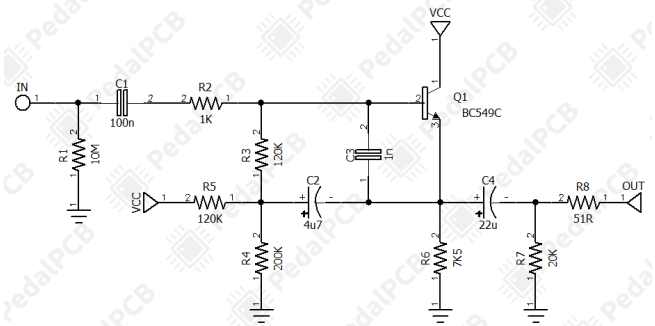
SEMICONDUCTORS

Q1	BC549C
----	--------

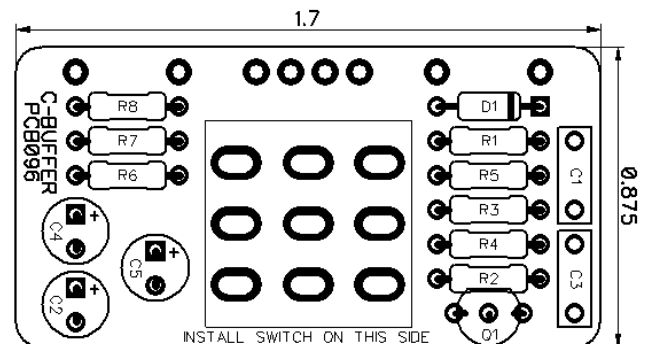
SWITCHES

SW1 Latching 3PDT Footswitch

Schematic



Board Assembly



C-Buffer Module

Wiring Diagram

