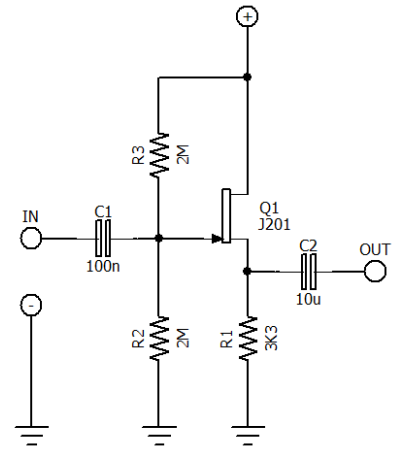


The **PedalPCB Mini Buffer** provides a simple, compact, low parts-count unity gain buffer that can be added to an existing project.

Important Note

This module is intended to be added to an existing project. There is no on-board polarity protection or power filtering.



Parts List

RESISTORS (1/8W)

R1 3K3
R2 2M2
R3 2M2

CAPACITORS

C1 100n
C2 10u MLCC

TRANSISTORS

Q1 MMBFJ201 (or equivalent)

Board Assembly

