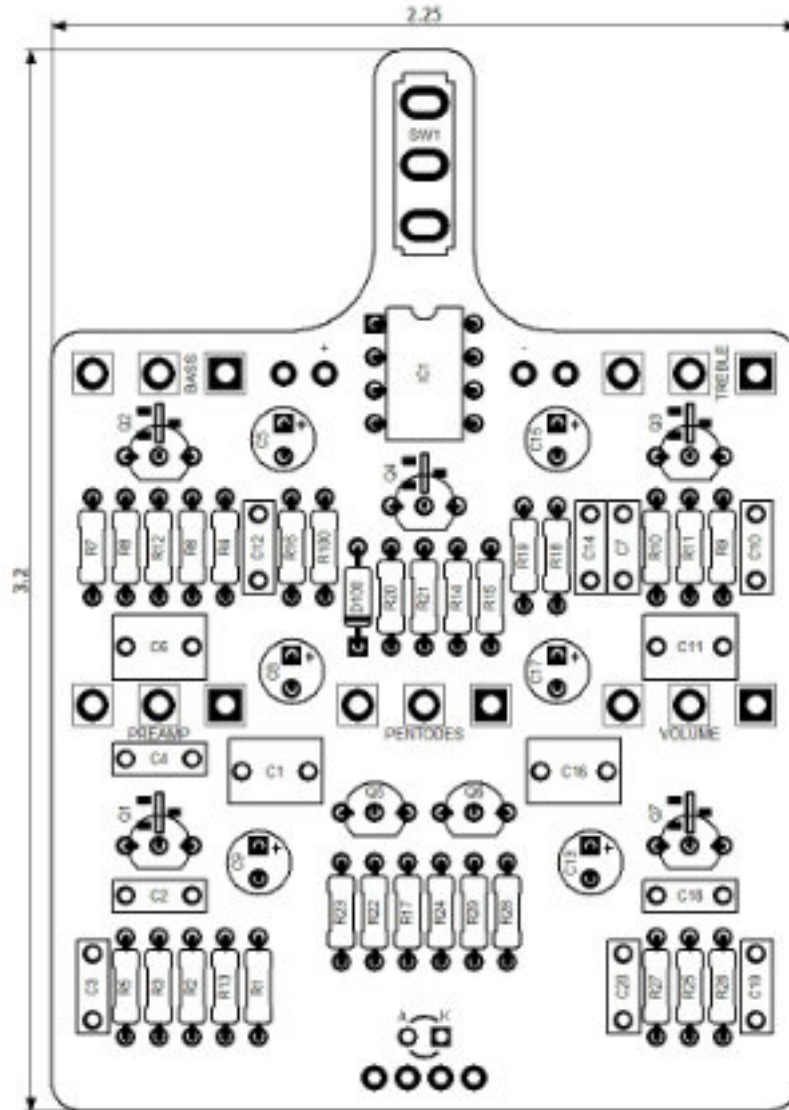




Brownout Overdrive

Revised 9/16/21



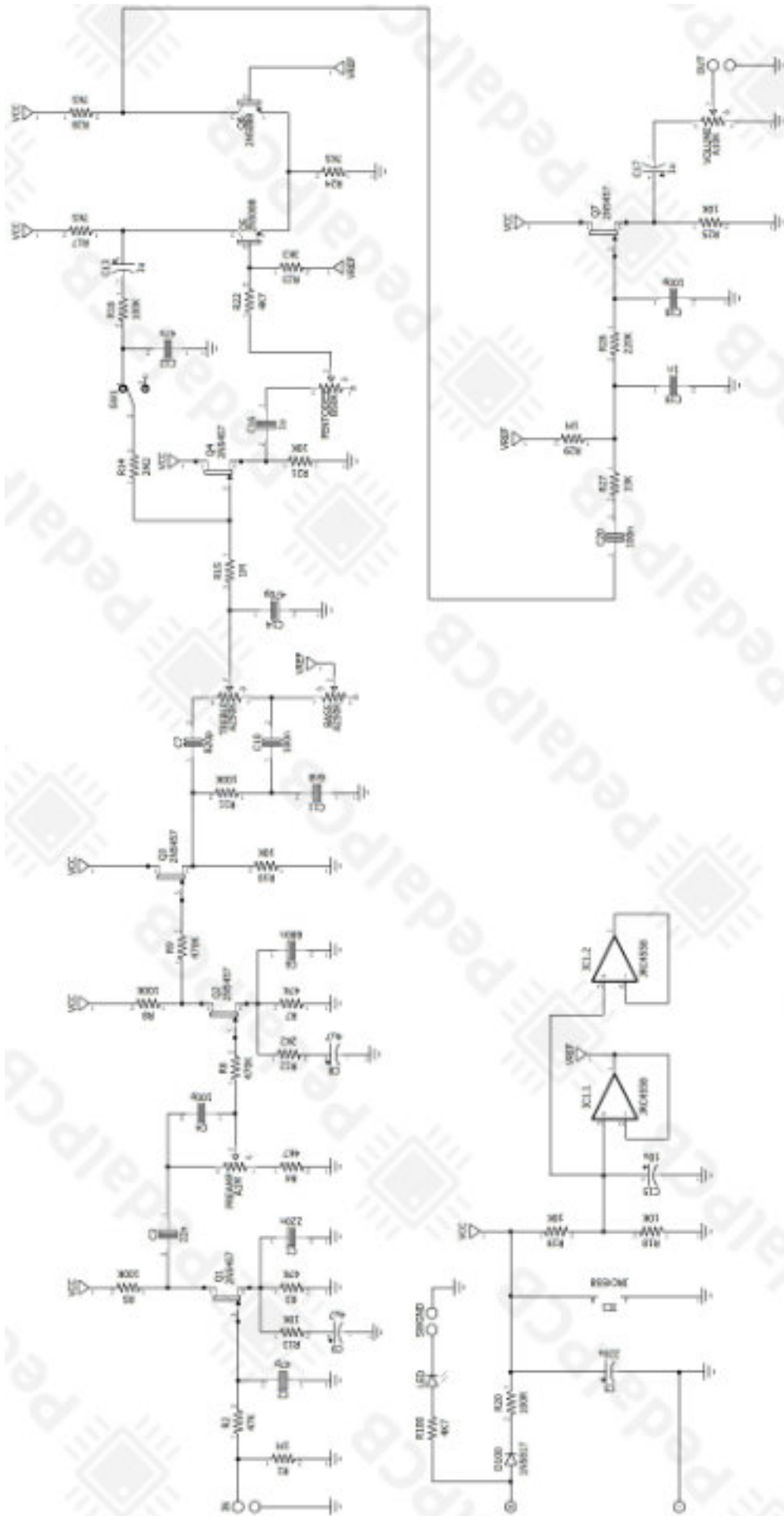
CONTROLS AND FEATURES

- Treble
- Bass
- Volume
- Pentodes
- Preamp
- Cathodyne/LTP (Toggle switch)

All trademarks and registered trademarks are the property of their respective owners. The company, product, and service names used in this web site are for identification purposes only. Use of these names, logos, and brands does not imply endorsement.

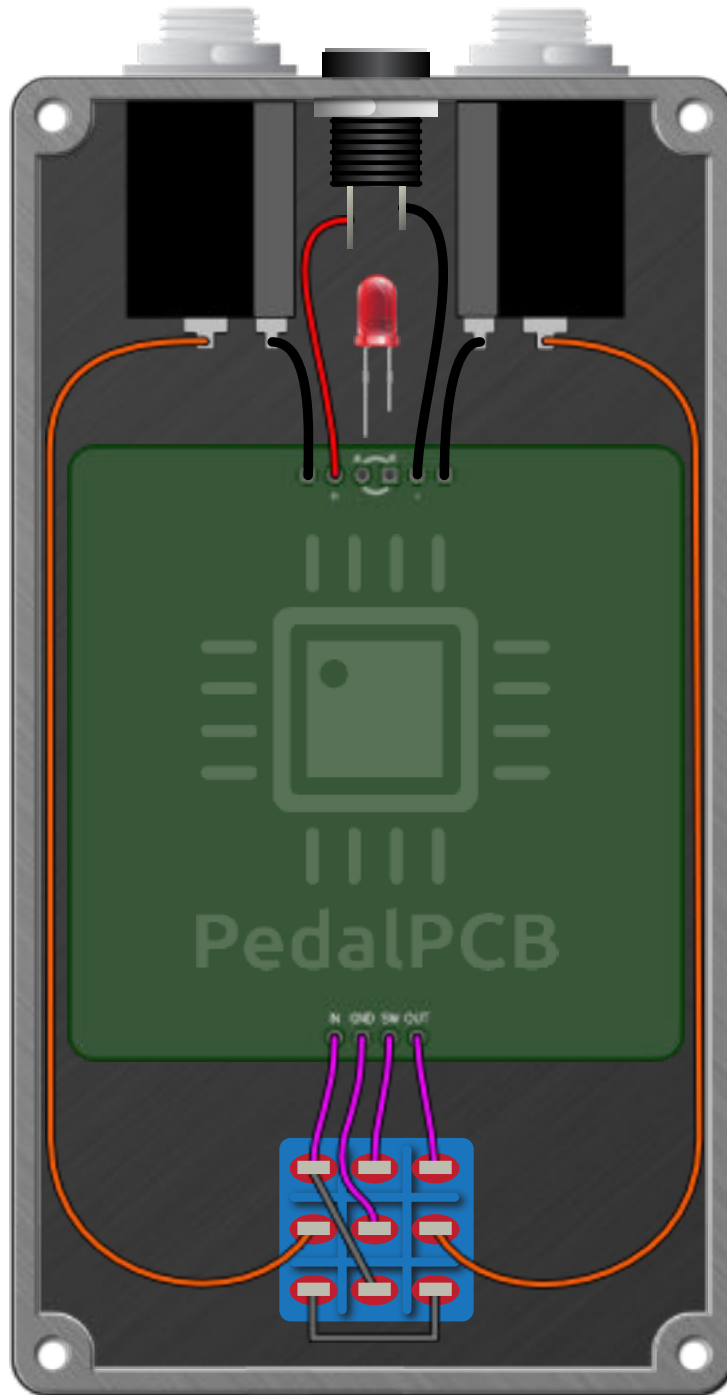
Brownout Overdrive

Schematic Diagram



Brownout Overdrive

Wiring Diagram



Brownout Overdrive

Drill Template
125B Enclosure

