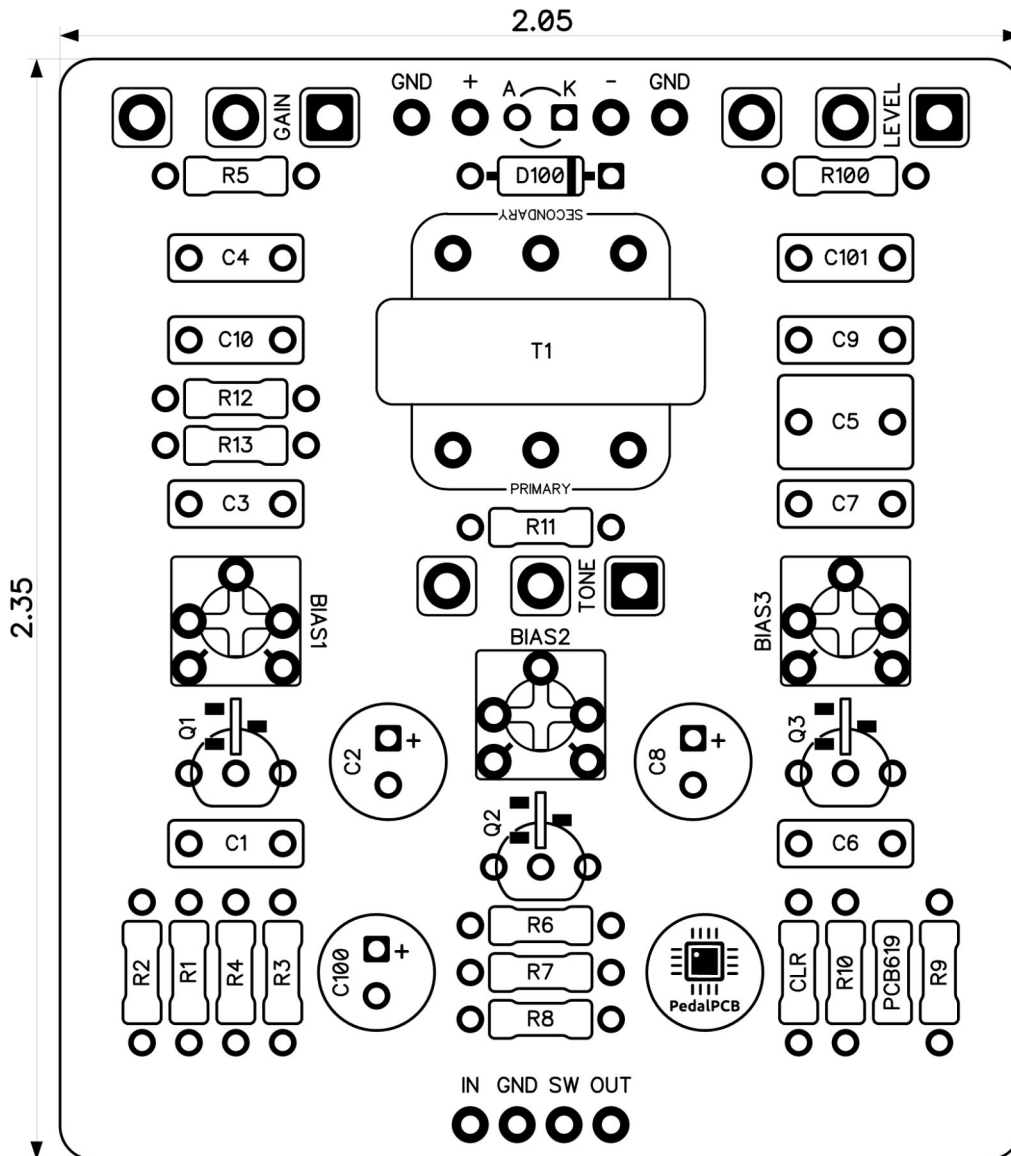


PedalPCB

British Royalty Overdrive

Revised 12/15/23



CONTROLS AND FEATURES

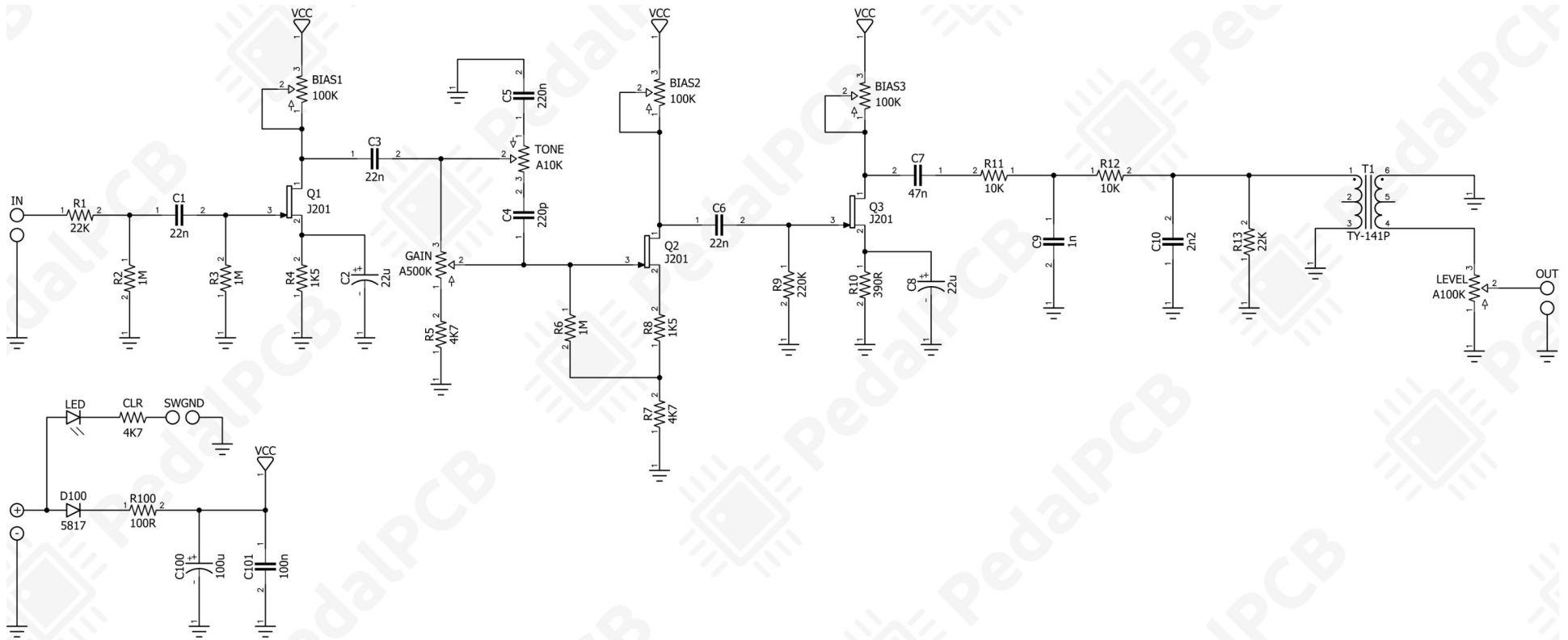
- Level
- Tone
- Gain

All trademarks and registered trademarks are the property of their respective owners. The company, product, and service names used in this web site are for identification purposes only. Use of these names, logos, and brands does not imply endorsement.

LOCATION	VALUE	TYPE	NOTES
R1	22K	Resistor, 1/4W	
R2	1M	Resistor, 1/4W	
R3	1M	Resistor, 1/4W	
R4	1K5	Resistor, 1/4W	
R5	4K7	Resistor, 1/4W	
R6	1M	Resistor, 1/4W	
R7	4K7	Resistor, 1/4W	
R8	1K5	Resistor, 1/4W	
R9	220K	Resistor, 1/4W	
R10	390R	Resistor, 1/4W	
R11	10K	Resistor, 1/4W	
R12	10K	Resistor, 1/4W	
R13	22K	Resistor, 1/4W	
R100	100R	Resistor, 1/4W	
CLR	4K7	Resistor, 1/4W	* LED current limiting resistor
C1	22n	Film capacitor, 7.2 x 2.5mm	
C2	22u	Electrolytic capacitor, 5mm	
C3	22n	Film capacitor, 7.2 x 2.5mm	
C4	220p	Ceramic capacitor	
C5	220n	Film capacitor, 7.2 x 5.0mm	
C6	22n	Film capacitor, 7.2 x 2.5mm	
C7	47n	Film capacitor, 7.2 x 2.5mm	
C8	22u	Electrolytic capacitor, 5mm	
C9	1n	Film capacitor, 7.2 x 2.5mm	
C10	2n2	Film capacitor, 7.2 x 2.5mm	
C100	100u	Electrolytic capacitor, 5mm	
C101	100n	Film capacitor, 7.2 x 2.5mm	
D100	1N5817	Schottky diode, DO-41	
Q1	J201	JFET transistor, N-channel	
Q2	J201	JFET transistor, N-channel	
Q3	J201	JFET transistor, N-channel	
T1	TY-141P	Audio Transformer	10KCT:10KCT
BIAS1	100K	Trimmer potentiometer, 3362P type	
BIAS2	100K	Trimmer potentiometer, 3362P type	
BIAS3	100K	Trimmer potentiometer, 3362P type	
LEVEL	A100K	16mm right-angle PCB mount pot	
TONE	A10K	16mm right-angle PCB mount pot	
GAIN	A500K	16mm right-angle PCB mount pot	

British Royalty Overdrive

Schematic Diagram



British Royalty Overdrive

Wiring Diagram



