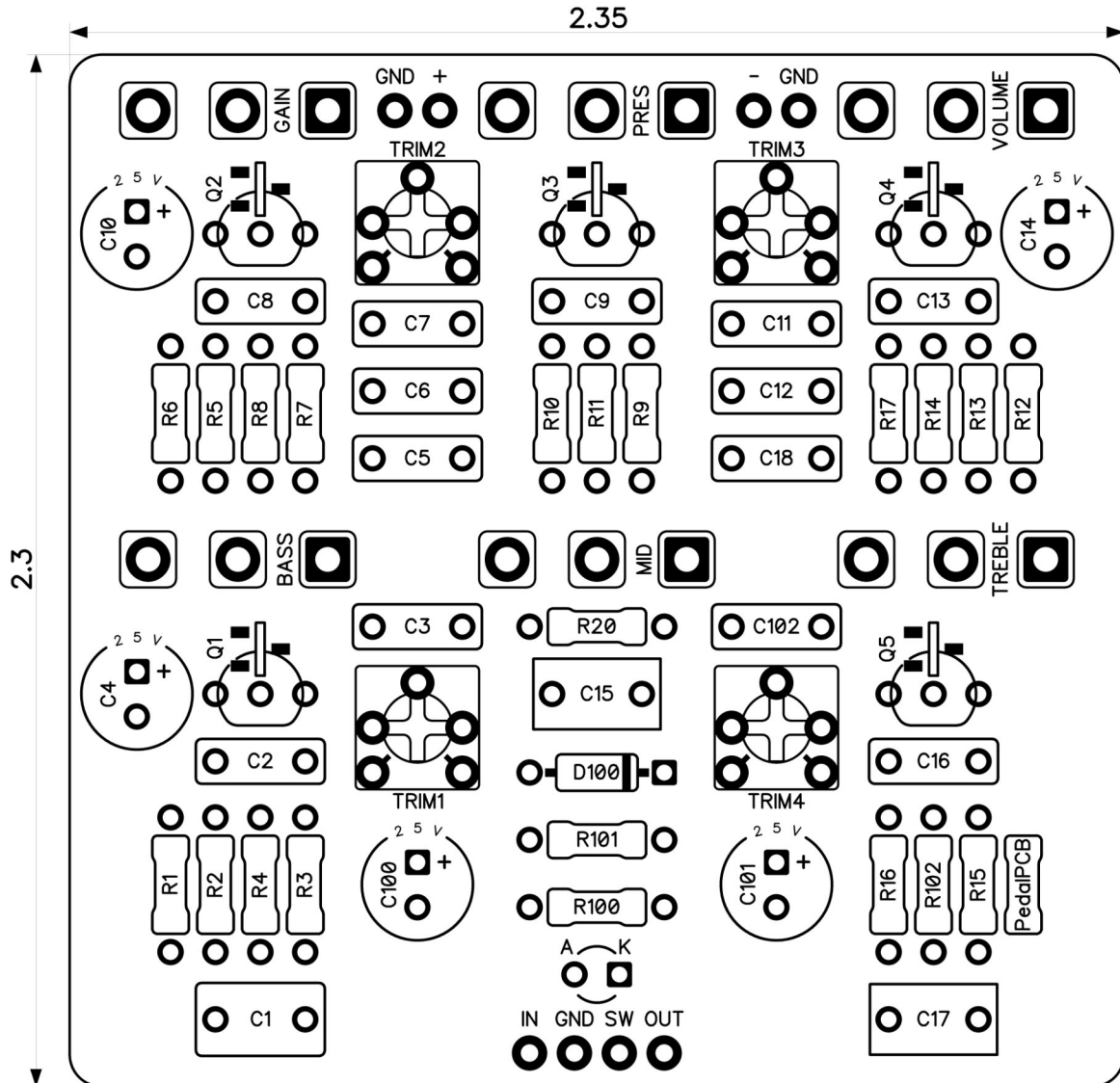


PedalPCB

Boogie Monster

Revised 3/5/24



CONTROLS AND FEATURES

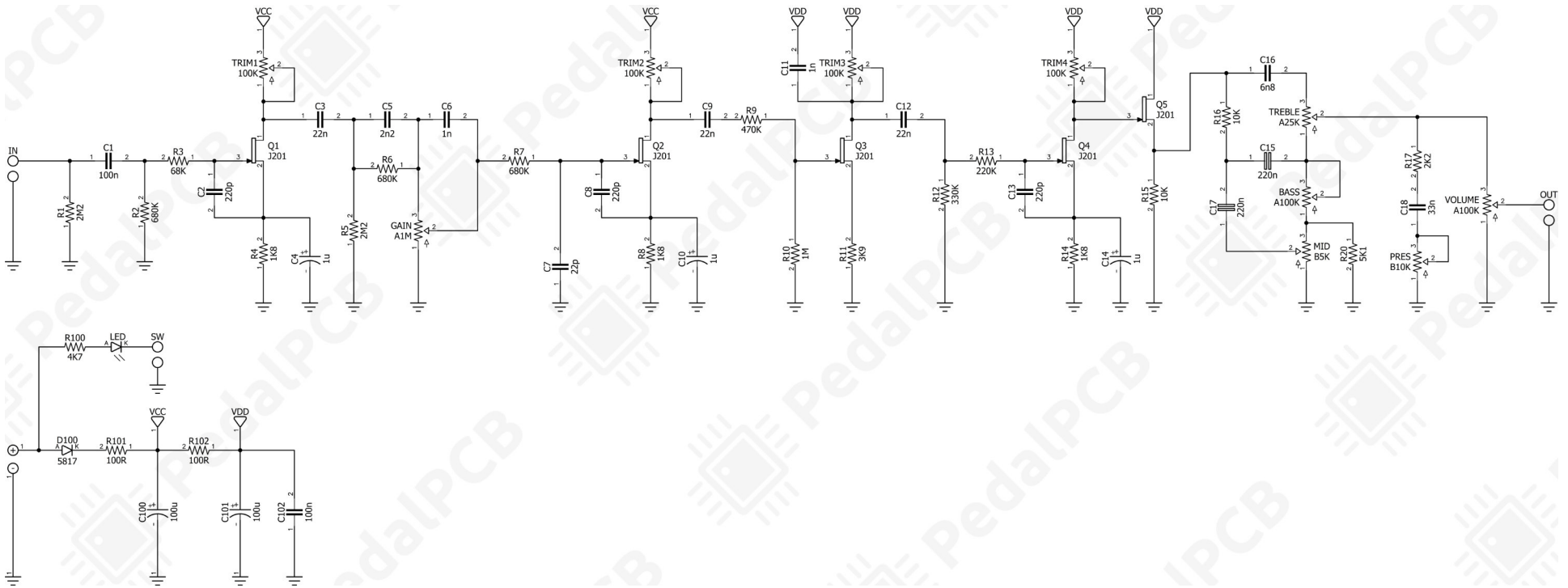
- Volume
- Presence
- Gain
- Treble
- Mid
- Bass

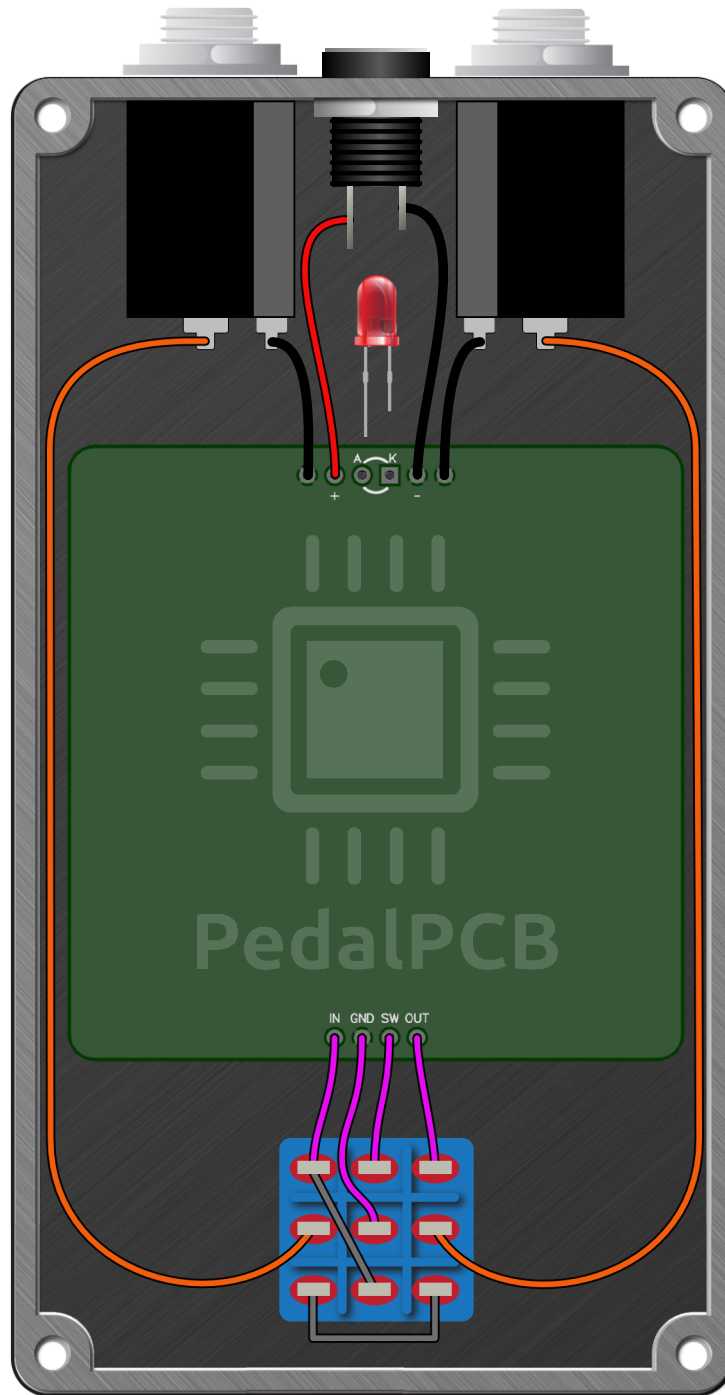
All trademarks and registered trademarks are the property of their respective owners. The company, product, and service names used in this web site are for identification purposes only. Use of these names, logos, and brands does not imply endorsement.

LOCATION	VALUE	TYPE	NOTES
R1	2M2	Resistor, 1/4W	
R2	680K	Resistor, 1/4W	
R3	68K	Resistor, 1/4W	
R4	1K8	Resistor, 1/4W	
R5	2M2	Resistor, 1/4W	
R6	680K	Resistor, 1/4W	
R7	680K	Resistor, 1/4W	
R8	1K8	Resistor, 1/4W	
R9	470K	Resistor, 1/4W	
R10	1M	Resistor, 1/4W	
R11	3K9	Resistor, 1/4W	
R12	330K	Resistor, 1/4W	
R13	220K	Resistor, 1/4W	
R14	1K8	Resistor, 1/4W	
R15	10K	Resistor, 1/4W	
R16	10K	Resistor, 1/4W	
R17	2K2	Resistor, 1/4W	
R20	5K1	Resistor, 1/4W	
R100	4K7	Resistor, 1/4W	* LED current limiting resistor
R101	100R	Resistor, 1/4W	
R102	100R	Resistor, 1/4W	
C1	100n	Film capacitor, 7.2 x 2.5mm	
C2	220p	Ceramic capacitor	
C3	22n	Film capacitor, 7.2 x 2.5mm	
C4	1u	Electrolytic capacitor, 5mm	
C5	2n2	Film capacitor, 7.2 x 2.5mm	
C6	1n	Film capacitor, 7.2 x 2.5mm	
C7	22p	Ceramic capacitor	
C8	220p	Ceramic capacitor	
C9	22n	Film capacitor, 7.2 x 2.5mm	
C10	1u	Electrolytic capacitor, 5mm	
C11	1n	Film capacitor, 7.2 x 2.5mm	
C12	22n	Film capacitor, 7.2 x 2.5mm	
C13	220p	Ceramic capacitor	
C14	1u	Electrolytic capacitor, 5mm	
C15	220n	Film capacitor, 7.2 x 5.0mm	
C16	6n8	Film capacitor, 7.2 x 2.5mm	
C17	220n	Film capacitor, 7.2 x 5.0mm	
C18	33n	Film capacitor, 7.2 x 2.5mm	
C100	100u	Electrolytic capacitor, 5mm	
C101	100u	Electrolytic capacitor, 5mm	
C102	100n	Film capacitor, 7.2 x 2.5mm	
D100	1N5817	Schottky diode, DO-41	
Q1	J201	JFET transistor, N-channel	
Q2	J201	JFET transistor, N-channel	
Q3	J201	JFET transistor, N-channel	
Q4	J201	JFET transistor, N-channel	
Q5	J201	JFET transistor, N-channel	
VOLUME	A100K	16mm right-angle PCB mount pot	
PRES	B10K	16mm right-angle PCB mount pot	
GAIN	A1M	16mm right-angle PCB mount pot	
TREBLE	A25K	16mm right-angle PCB mount pot	
MID	B5K	16mm right-angle PCB mount pot	
BASS	A100K	16mm right-angle PCB mount pot	
TRIM1	100K	Trimmer potentiometer, 3362P type	
TRIM2	100K	Trimmer potentiometer, 3362P type	
TRIM3	100K	Trimmer potentiometer, 3362P type	
TRIM4	100K	Trimmer potentiometer, 3362P type	

Boogie Monster

Schematic Diagram





Boogie Monster

Drill Template
125B Enclosure

