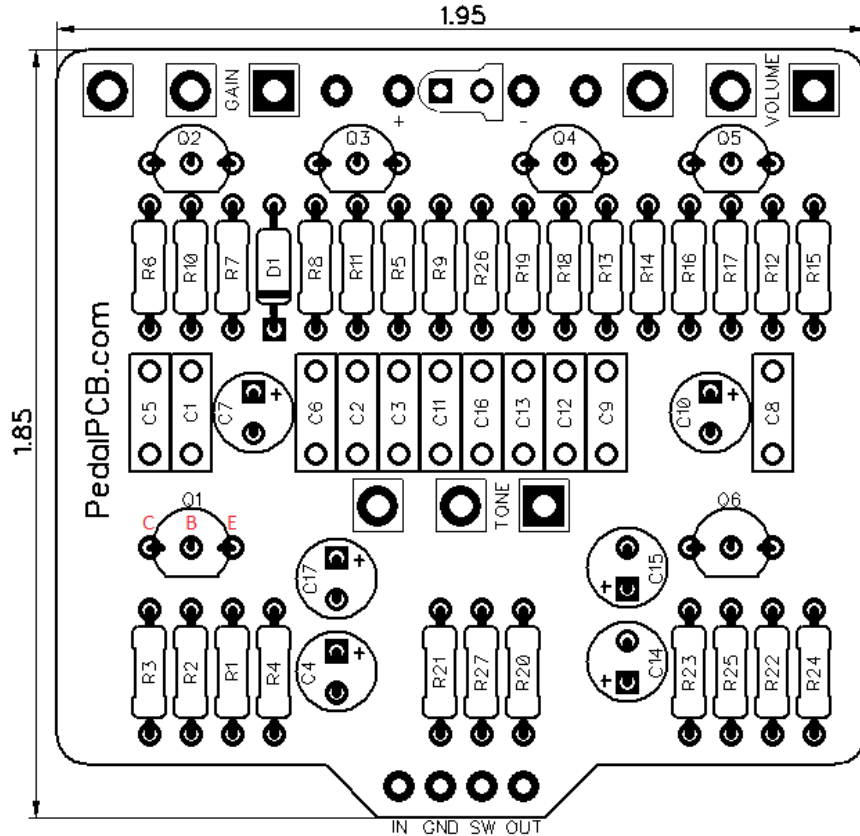


Bohemia

Revision 02.14.18



Resistors

R1	220K
R2	68K
R3	10K
R4	8K2
R5	100K
R6	1M
R7	1M
R8	680K
R9	470K
R10	1K
R11	1K
R12	56K
R13	1M
R14	1M
R15	470K
R16	1K
R17	1K

R18	10K
R19	100K
R20	62K
R21	12K
R22	1K
R23	2M2
R24	2M2
R25	4K7
R26	8K2
R27	4K7

Capacitors

C1	4n7
C2	47p
C3	10n
C4	47u
C5	100n
C6	100n
C7	2u2
C8	470p
C9	220n
C10	22u
C11	47p
C12	22n
C13	22n
C14	1u
C15	1u
C16	10n
C17	100u

Semiconductors

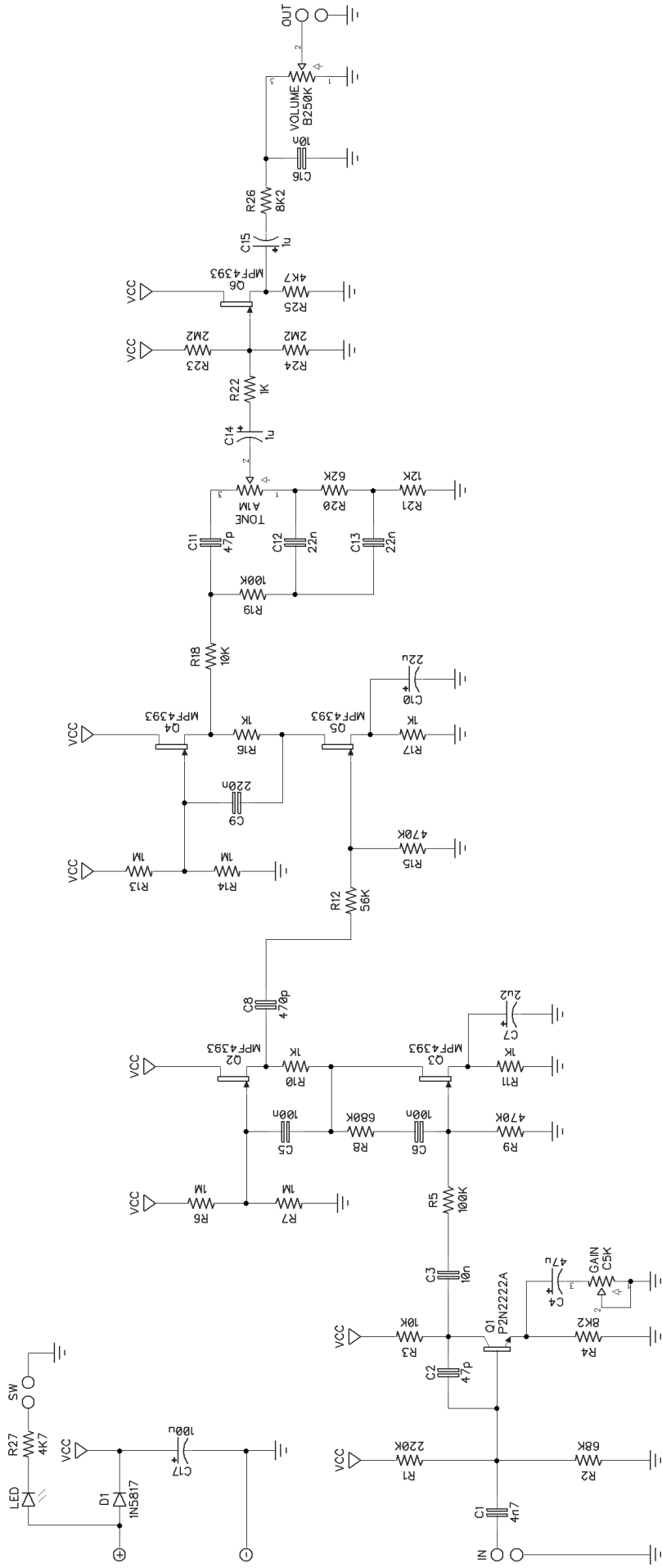
Q1	2N2222A*
Q2	MPF4393
Q3	MPF4393
Q4	MPF4393
Q5	MPF4393
Q6	MPF4393
D1	1N5817

*Q1 must be installed backwards if TO-92 (see pinout above)

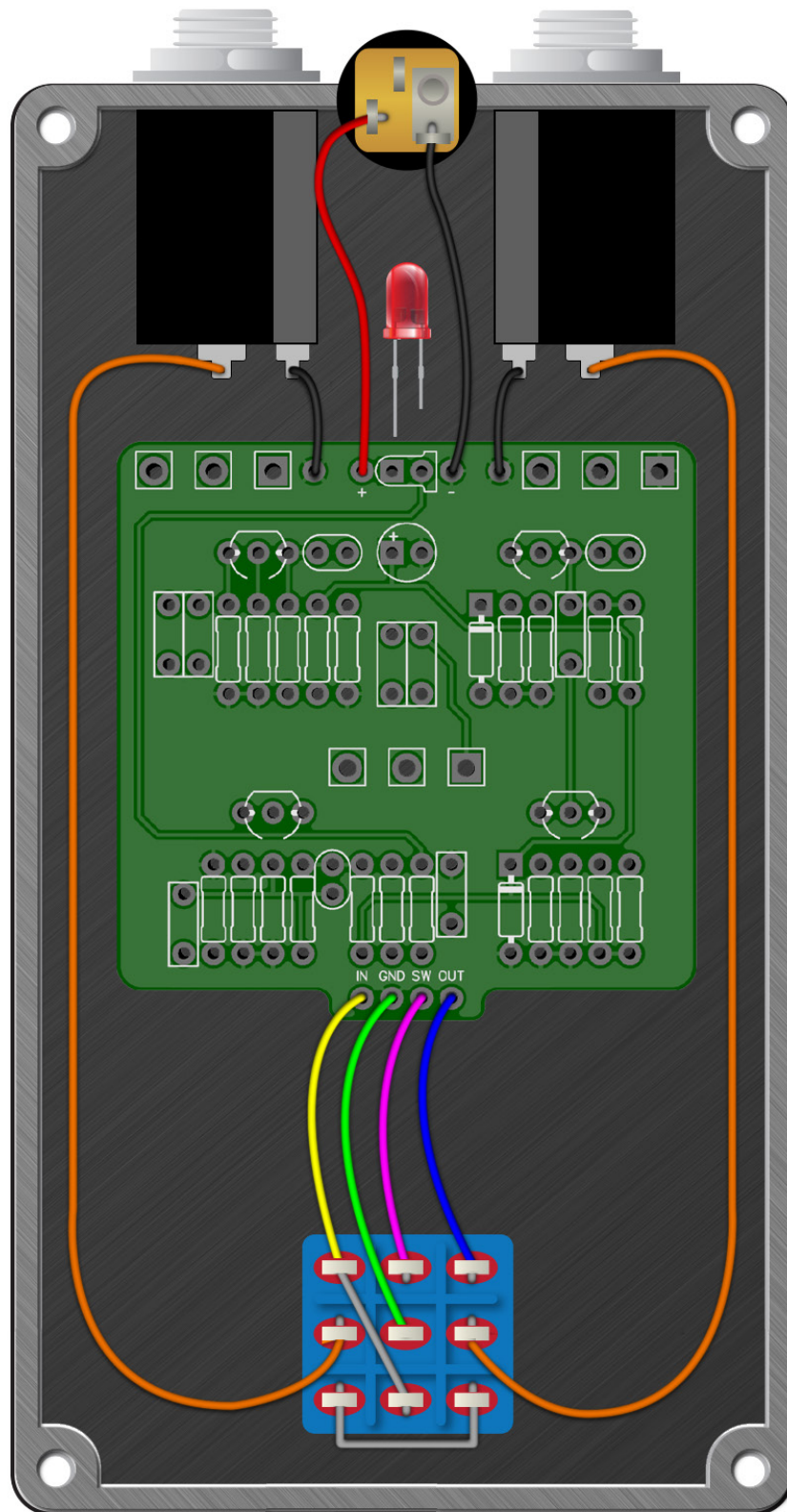
Potentiometers

VOLUME	B250K
TONE	A1M
GAIN	C5K

Bohemia



Wiring Diagram



Drill Template

4S125B enclosure with top mounted jacks

