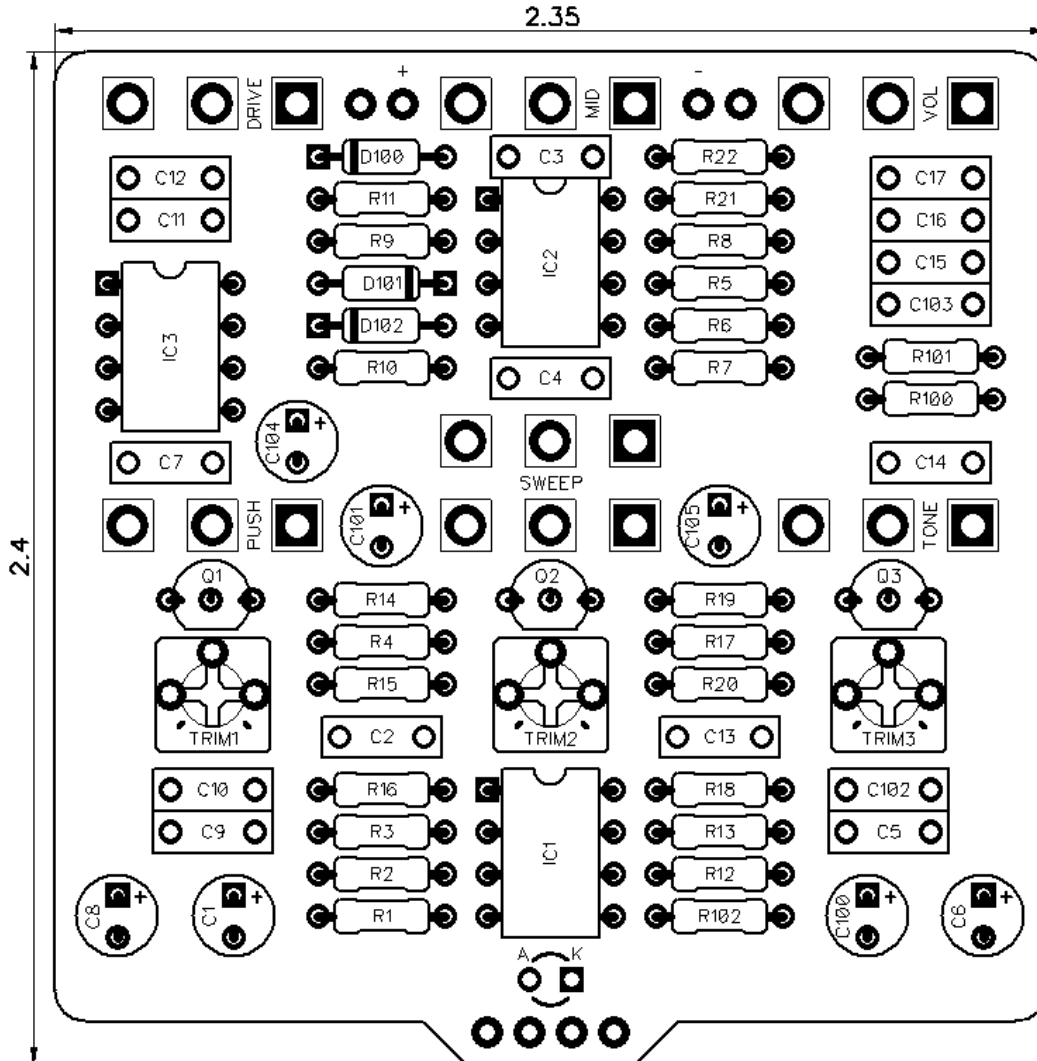


PedalPCB

Blue Shoe Gai Pan Distortion

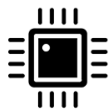
Revision 08.12.20



Controls

- Volume
- Mid
- Drive
- Tone
- Sweep
- Push

All trademarks and registered trademarks are the property of their respective owners. The company, product, and service names used in this web site are for identification purposes only. Use of these names, logos, and brands does not imply endorsement.



PedalPCB Blue Shoe Gai Pan Distortion

Parts List

RESISTORS (1/4W)

R1	1M
R2	470K
R3	4K7
R4	10K
R5	5K6
R6	3K3
R7	5K6
R8	6K8
R9	22K
R10	3K3
R11	22K
R12	4K7
R13	4K7
R14	1M
R15	1K5
R16	470K
R17	2K7
R18	120K
R19	470K
R20	330R
R21	12K
R22	12K
R100	10K
R101	10K
R102	4K7

CAPACITORS

C1	4u7
C2	47p
C3	10n
C4	1n5
C5	47p
C6	4u7
C7	22n
C8	47u
C9	470p
C10	4n7
C11	4n7
C12	470p
C13	10n
C14	4n7
C15	10n
C16	3n3
C17	3n3
C100	100u
C101	10u
C102	100n
C103	100n
C104	10u
C105	10u

INTEGRATED CIRCUITS

IC1	NE5532
IC2	TL072
IC3	TC1044SCPA

TRANSISTORS

Q1	J201
Q2	J201
Q3	J201

DIODES

D100	1N5817
D101	1N5817
D102	1N5817

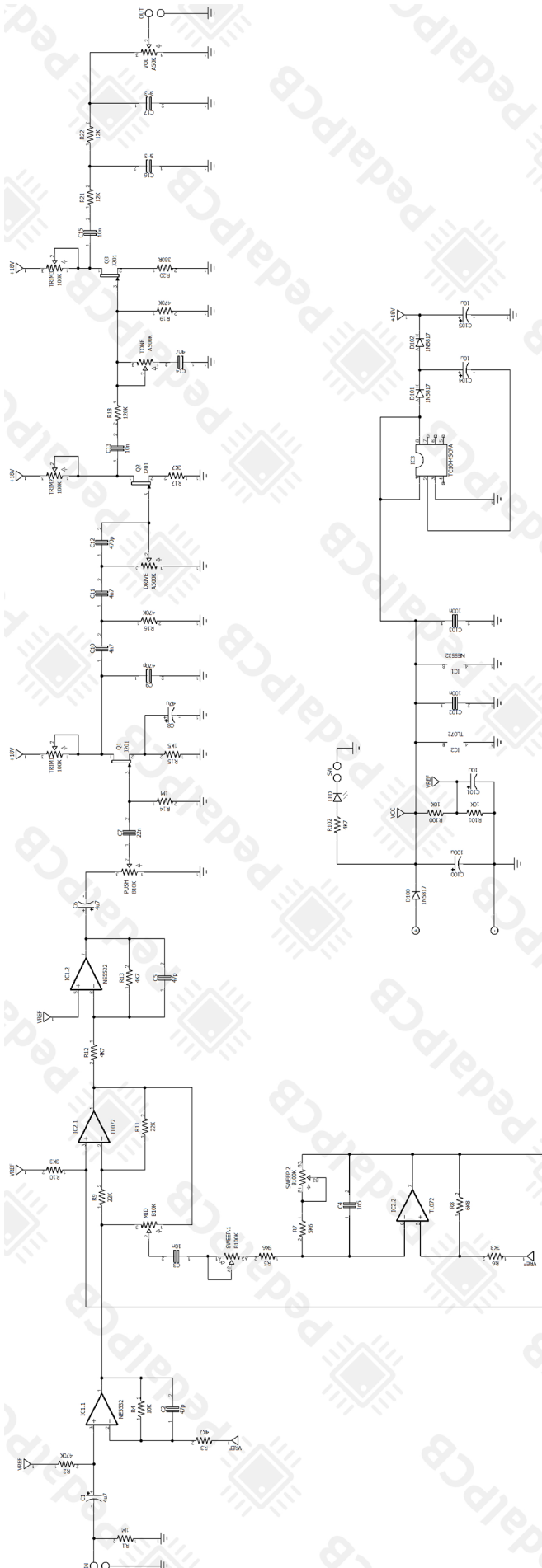
POTENTIOMETERS

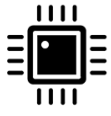
VOL	A50K
MID	B10K
DRIVE	A500K
TONE	A500K
SWEEP	B100K DUAL
PUSH	B10K

TRIM POTS (3362P Type)

TRIM1	100K
TRIM2	100K
TRIM3	100K

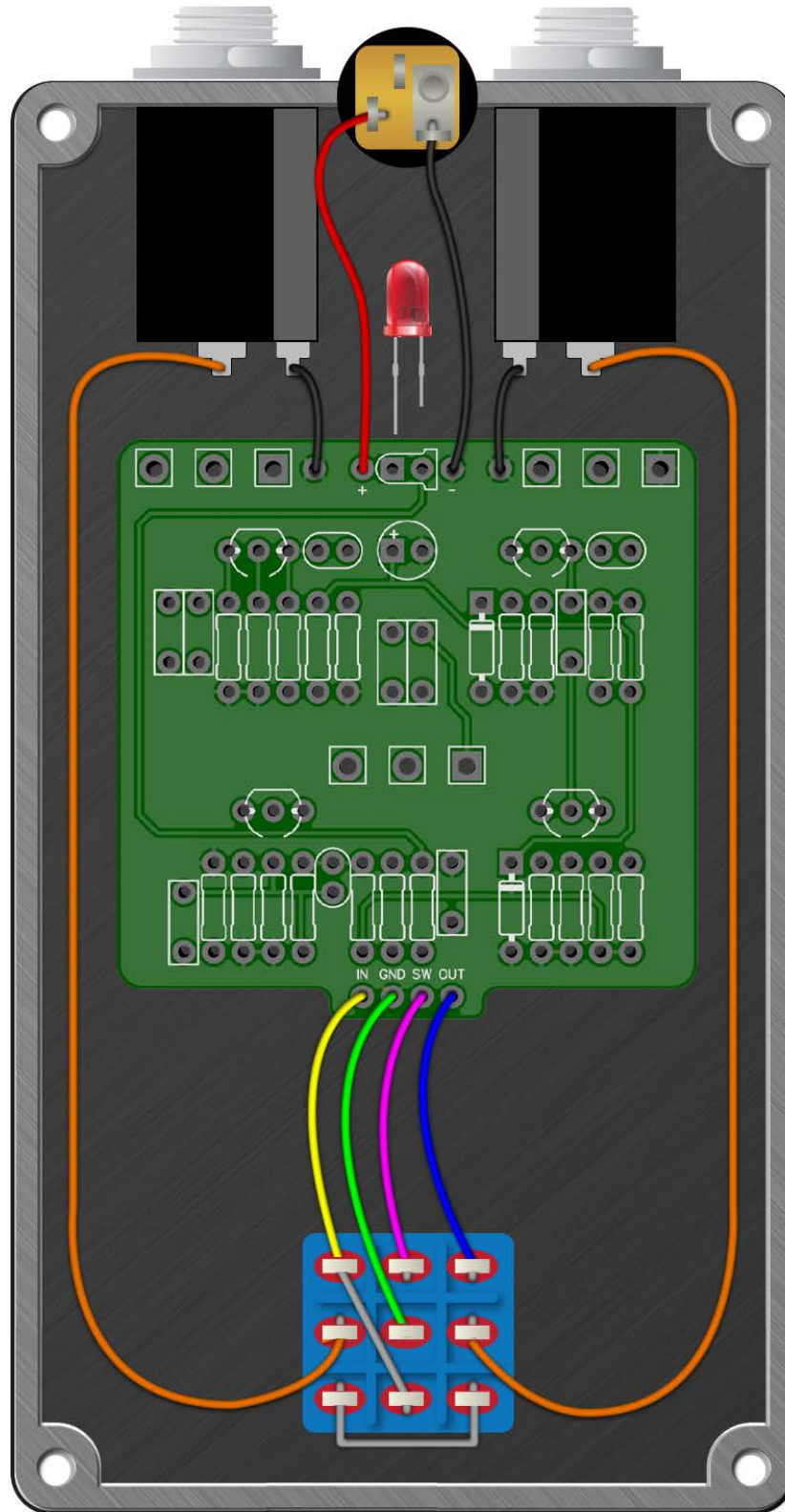
Blue Shoe Gai Pan Distortion

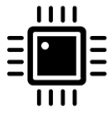




PedalPCB Blue Shoe Gai Pan Distortion

Wiring Diagram





PedalPCB

Blue Shoe Gai Pan Distortion

Drill Template
125B Enclosure

