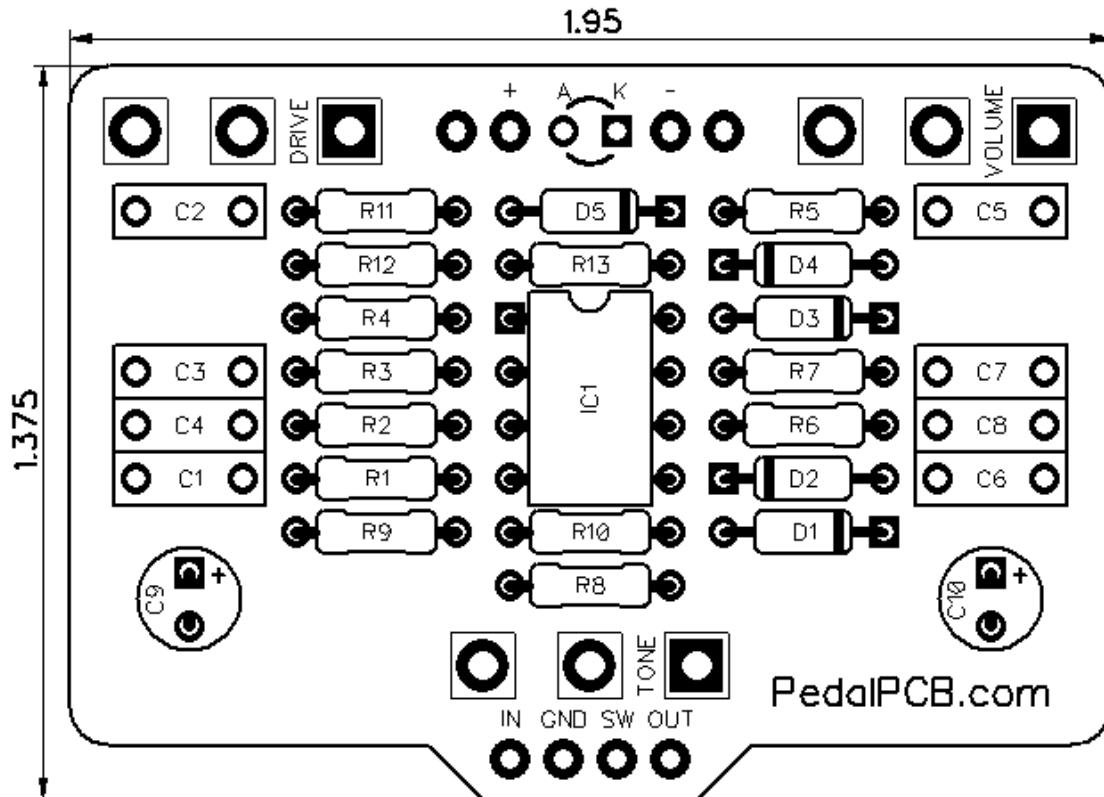


Blue Breaker

Revision 03.22.20



Resistors

R1	2M2
R2	1M
R3	4K7
R4	3K3
R5	10K
R6	6K8
R7	220K
R8	1K
R9	6K8
R10	1M
R11	47K
R12	47K
R13	4K7

Capacitors

C1	10n
C2	47p
C3	10n
C4	10n
C5	100n
C6	10n
C7	100n
C8	10n
C9	100u
C10	100u

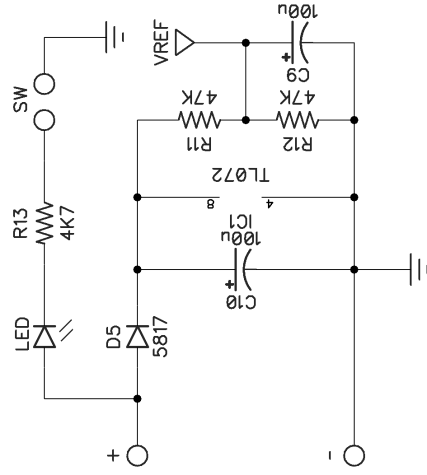
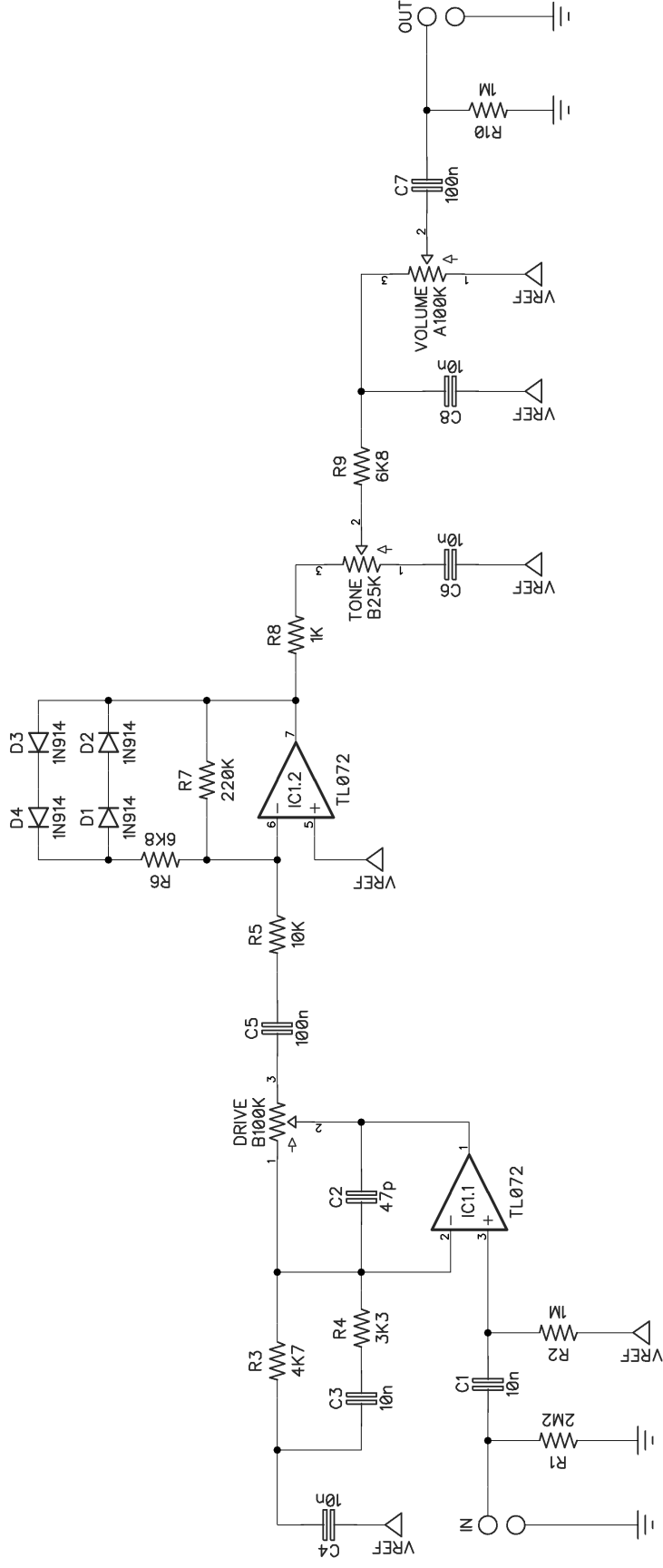
Semiconductors

IC1	TL072
D1	1N914
D2	1N914
D3	1N914
D4	1N914
D5	1N5817

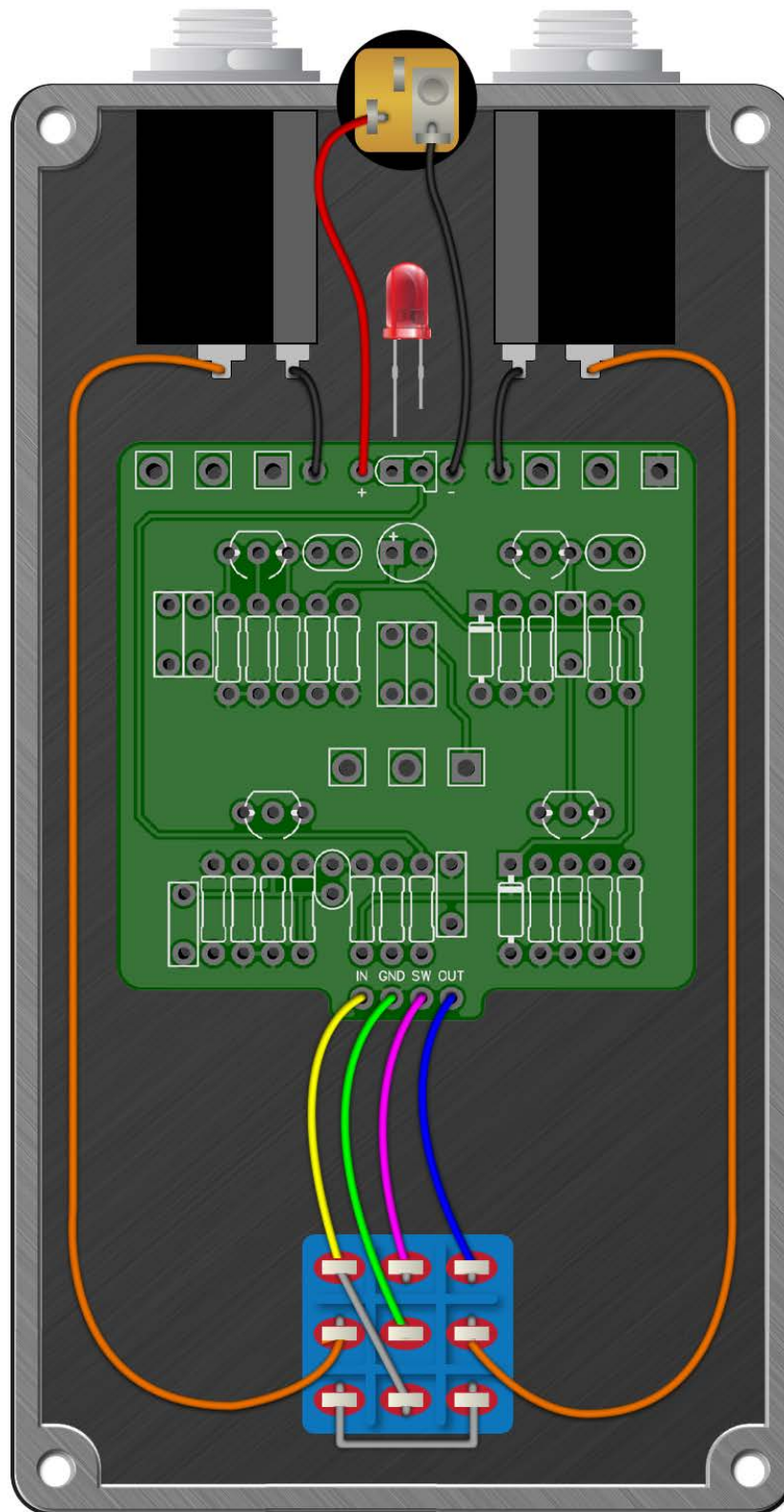
Potentiometers

VOLUME	A100K
TONE	B25K
DRIVE	B100K

Blue Breaker

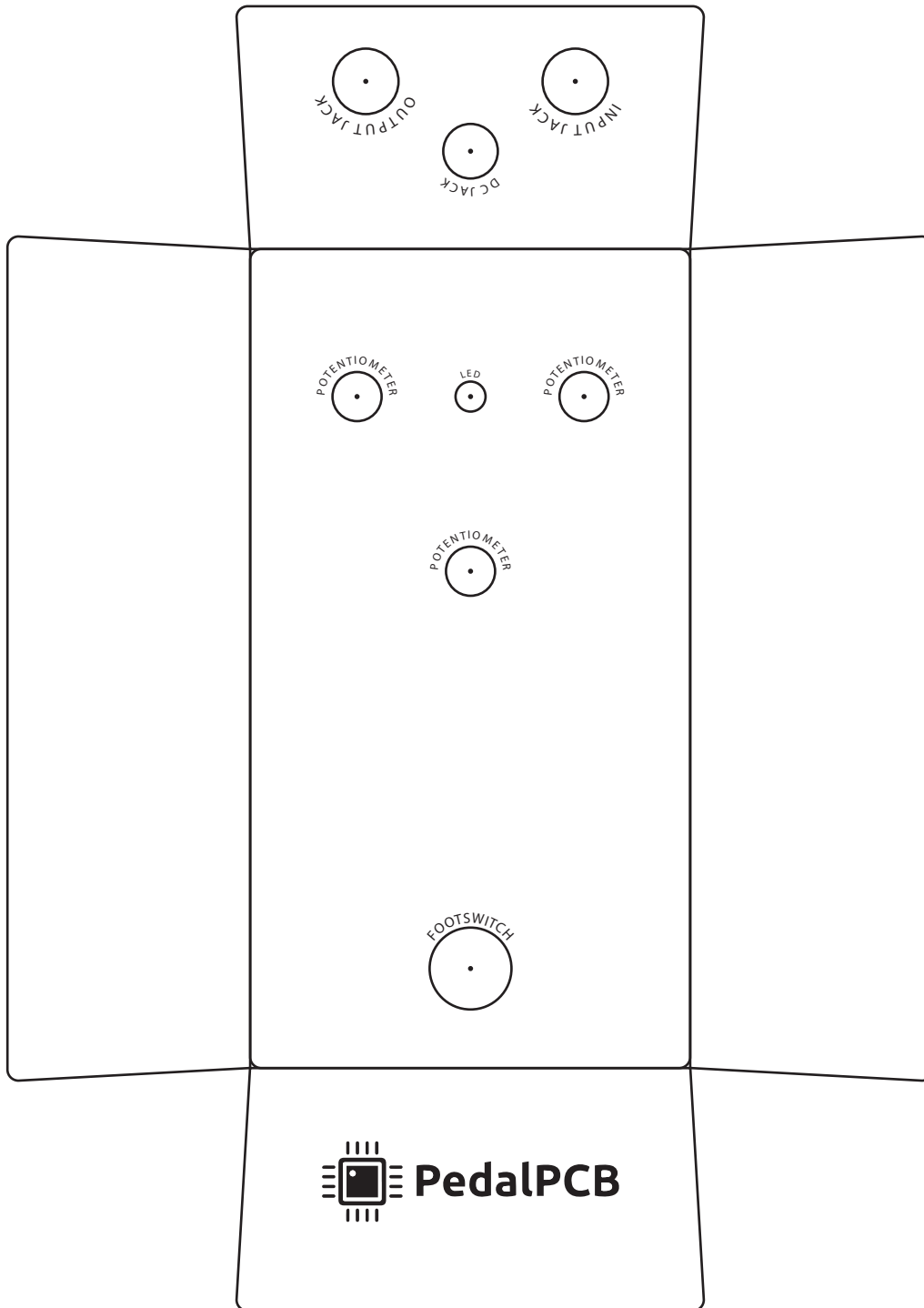


Wiring Diagram



Blue Breaker

Drill Template
125B enclosure with top mounted jacks



Bill of Materials

Resistors (1/4W)

1 x 1K
1 x 3K3
2 x 4K7
2 x 6K8
1 x 10K
2 x 47K
1 x 220K
2 x 1M
1 x 2M2

Capacitors

5 x 10n
1 x 47p
2 x 100n
2 x 100u

Semiconductors

1 x TL072
1 x 5817
4 x 1N914

Potentiometers

1 x A100K
1 x B100K
1 x B25K