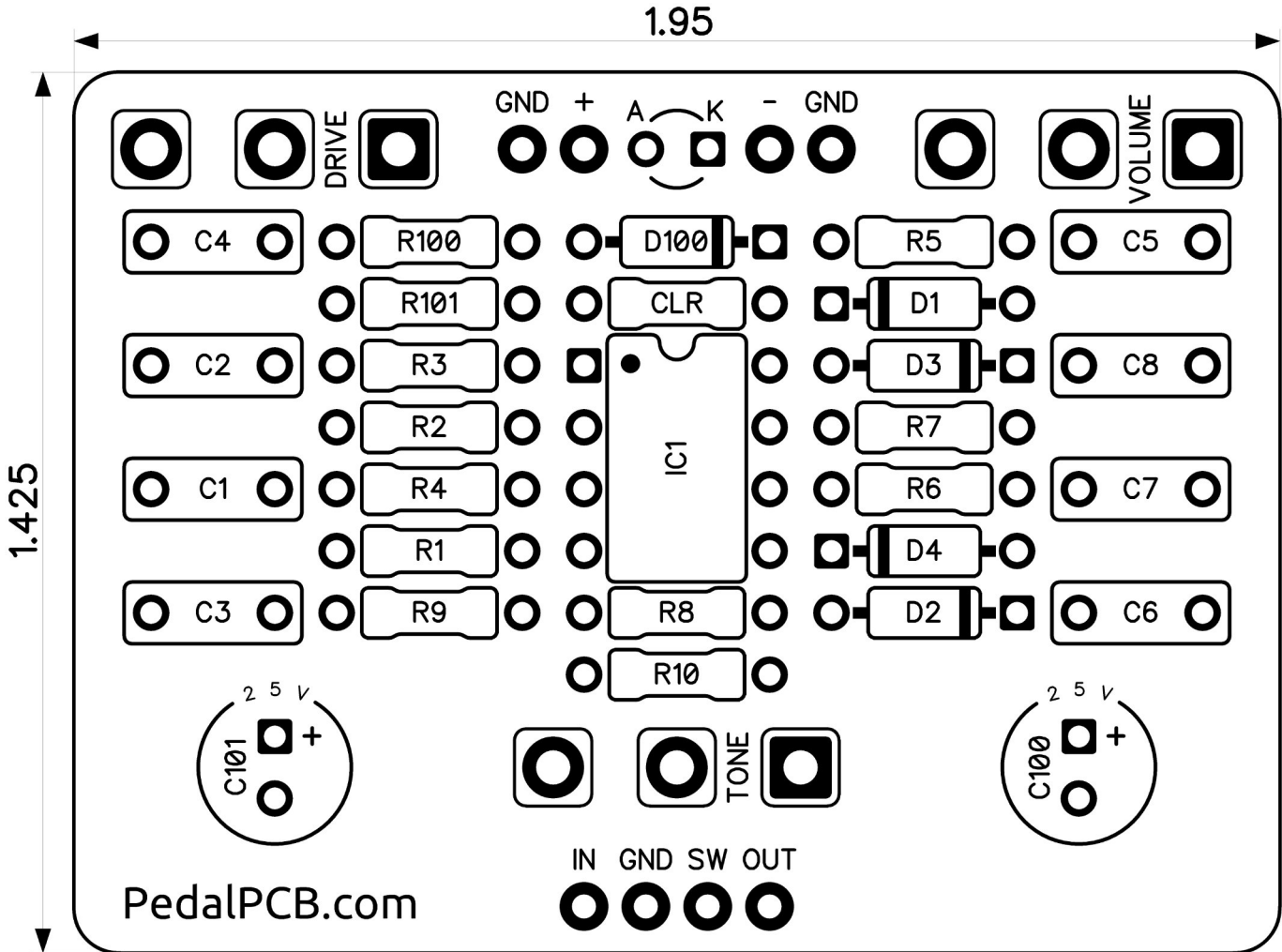




# Blue Breaker Overdrive

Revised 4/15/24



## CONTROLS AND FEATURES

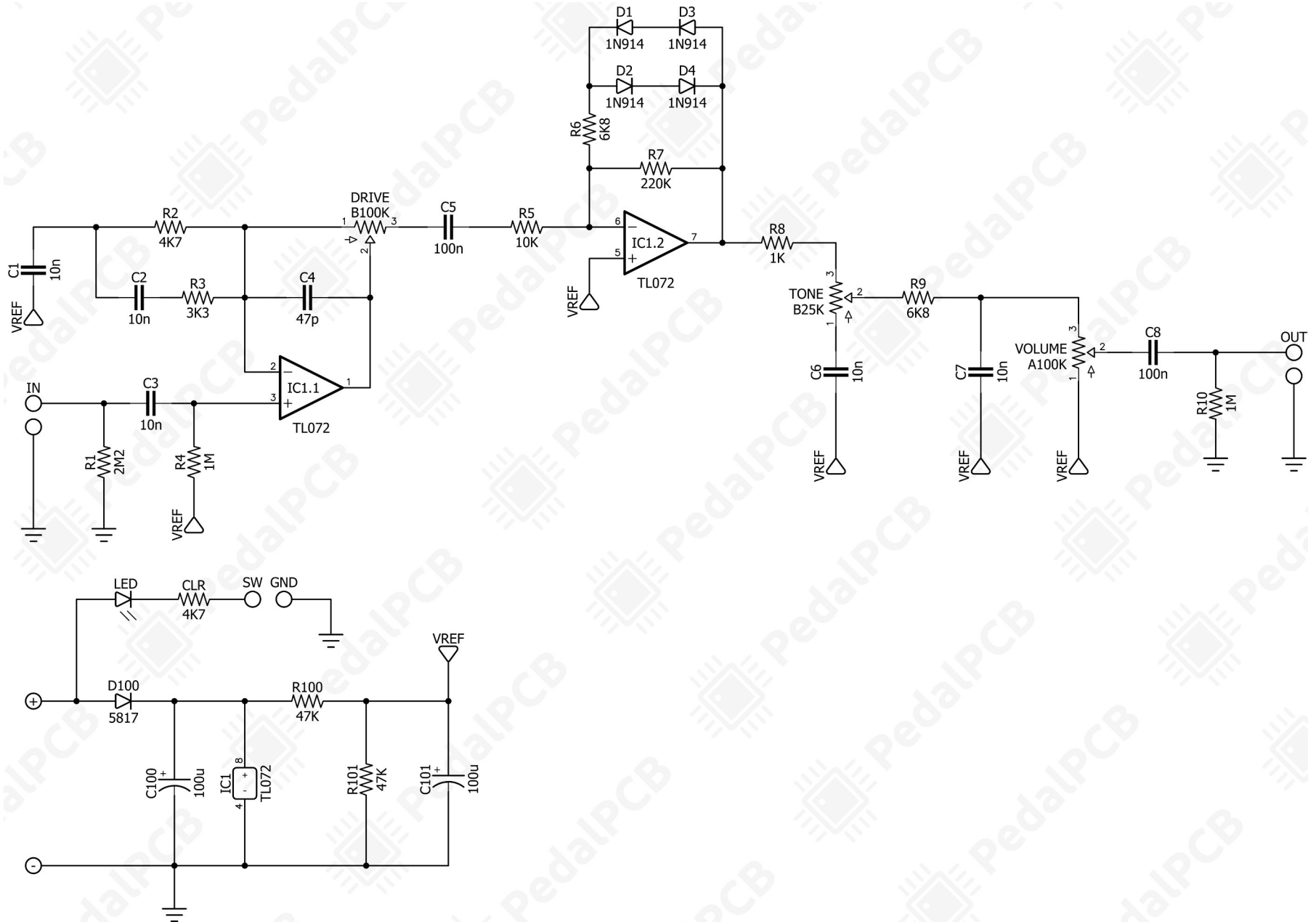
- Volume
- Tone
- Drive

All trademarks and registered trademarks are the property of their respective owners. The company, product, and service names used in this web site are for identification purposes only. Use of these names, logos, and brands does not imply endorsement.

LOCATION	VALUE	TYPE	NOTES
R1	2M2	Resistor, 1/4W	
R2	4K7	Resistor, 1/4W	
R3	3K3	Resistor, 1/4W	
R4	1M	Resistor, 1/4W	
R5	10K	Resistor, 1/4W	
R6	6K8	Resistor, 1/4W	
R7	220K	Resistor, 1/4W	
R8	1K	Resistor, 1/4W	
R9	6K8	Resistor, 1/4W	
R10	1M	Resistor, 1/4W	
R100	47K	Resistor, 1/4W	
R101	47K	Resistor, 1/4W	
CLR	4K7	Resistor, 1/4W	* LED current limiting resistor
C1	10n	Film capacitor, 7.2 x 2.5mm	
C2	10n	Film capacitor, 7.2 x 2.5mm	
C3	10n	Film capacitor, 7.2 x 2.5mm	
C4	47p	Ceramic capacitor	
C5	100n	Film capacitor, 7.2 x 2.5mm	
C6	10n	Film capacitor, 7.2 x 2.5mm	
C7	10n	Film capacitor, 7.2 x 5.0mm	
C8	100n	Film capacitor, 7.2 x 2.5mm	
C100	100u	Electrolytic capacitor, 5mm	
C101	100u	Electrolytic capacitor, 5mm	
D1	1N914	Signal diode, DO-35	
D2	1N914	Signal diode, DO-35	
D3	1N914	Signal diode, DO-35	
D4	1N914	Signal diode, DO-35	
D100	1N5817	Schottky diode, DO-41	
IC1	TL072	Dual op-amp, DIP8	
VOLUME	A100K	16mm right-angle PCB mount pot	
TONE	B25K	16mm right-angle PCB mount pot	
DRIVE	B100K	16mm right-angle PCB mount pot	

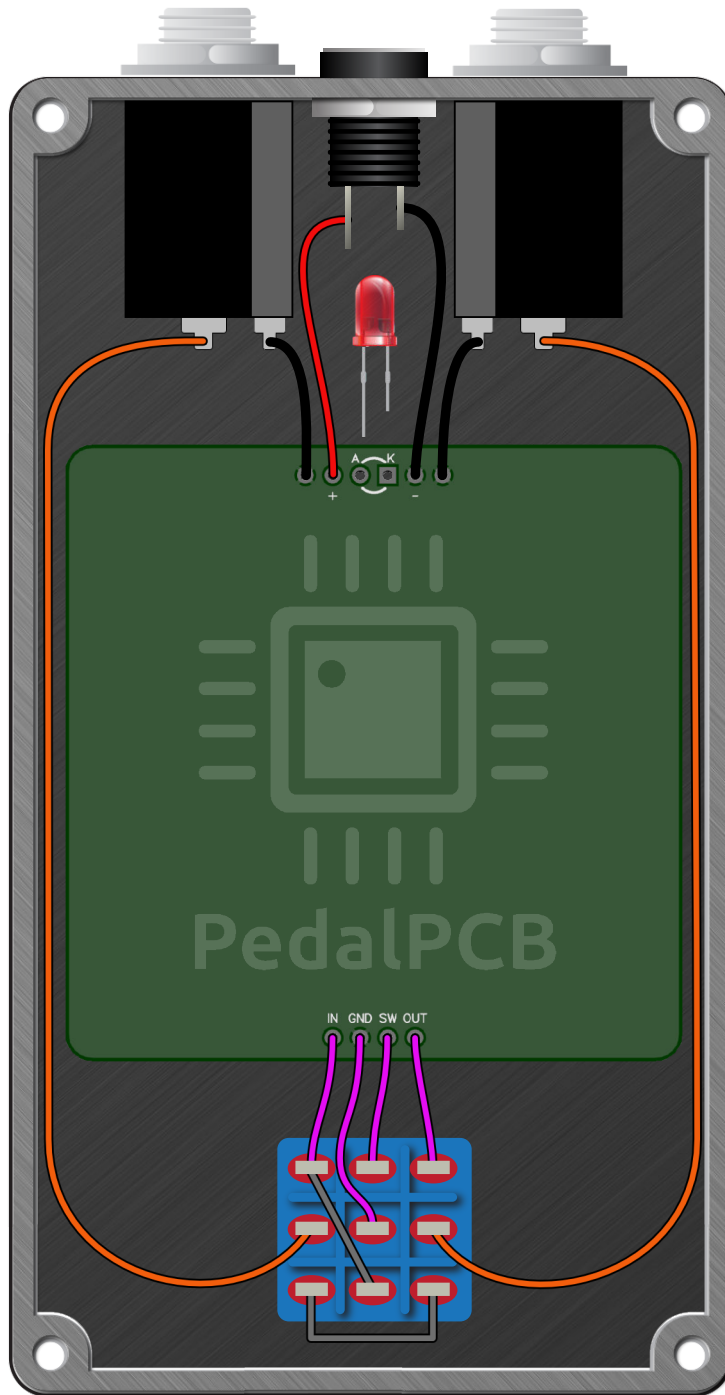
# Blue Breaker Overdrive

Schematic Diagram



# Blue Breaker Overdrive

## Wiring Diagram



# Blue Breaker Overdrive

Drill Template  
125B Enclosure

