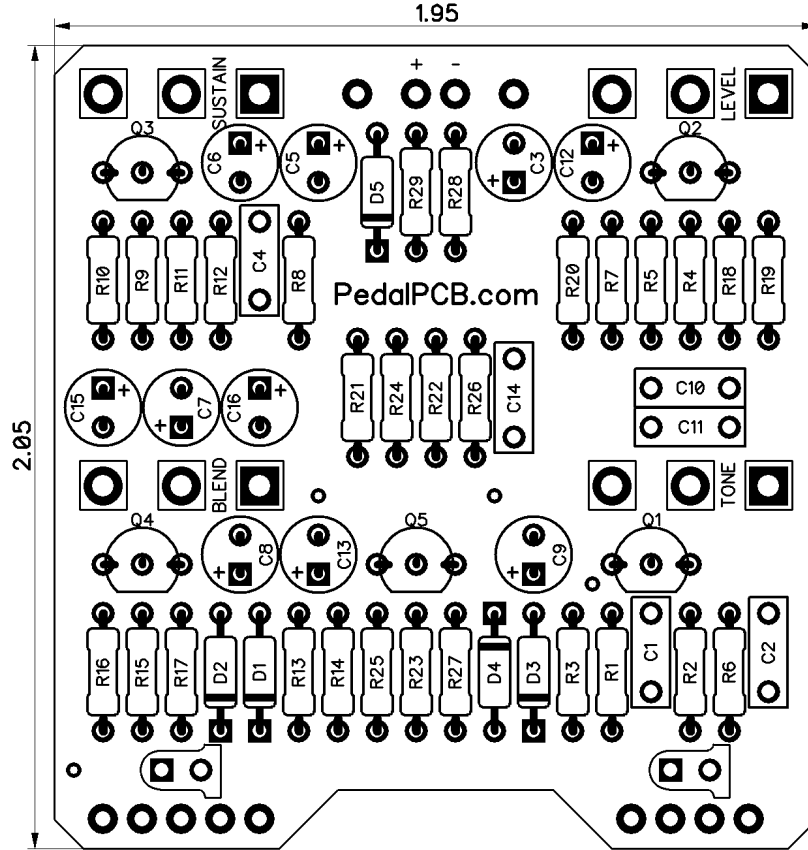


# Blender

Revision 12.25.17



### Resistors

R1	15K	R20	100K
R2	150K	R21	47K
R3	1K5	R22	10K
R4	47K	R23	18K
R5	120K	R24	150K
R6	560K	R25	820
R7	10K	R26	3K9
R8	680	R27	10K
R9	150K	R28	4K7
R10	8K2	R29	4K7
R11	220K		
R12	8K2		
R13	27K		
R14	27K		
R15	100K		
R16	820		
R17	10K		
R18	27K		
R19	3K9		

### Capacitors

C1	100nF
C2	47nF
C3	10uF
C4	100nF
C5	10uF
C6	10uF
C7	10uF
C8	10uF
C9	10uF
C10	100nF
C11	3nF
C12	10uF
C13	10uF
C14	1nF
C15	10uF
C16	10uF

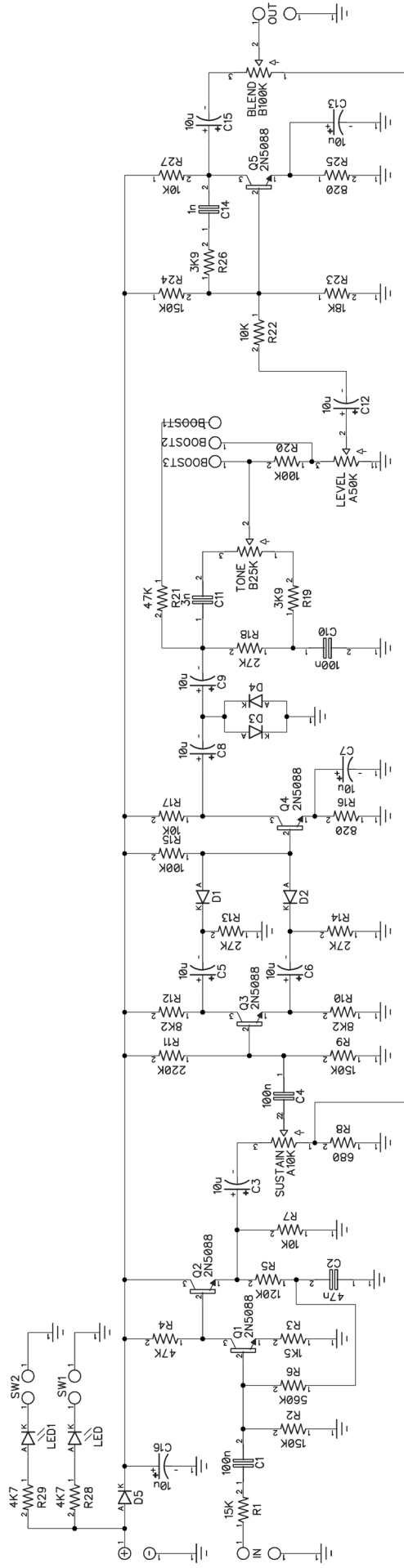
### Semiconductors

Q1	2N5088
Q2	2N5088
Q3	2N5088
Q4	2N5088
Q5	2N5088
D1	1N34A
D2	1N34A
D3	1N34A
D4	1N34A
D5	1N5817
LED1	3mm Red LED
LED2	3mm Red LED

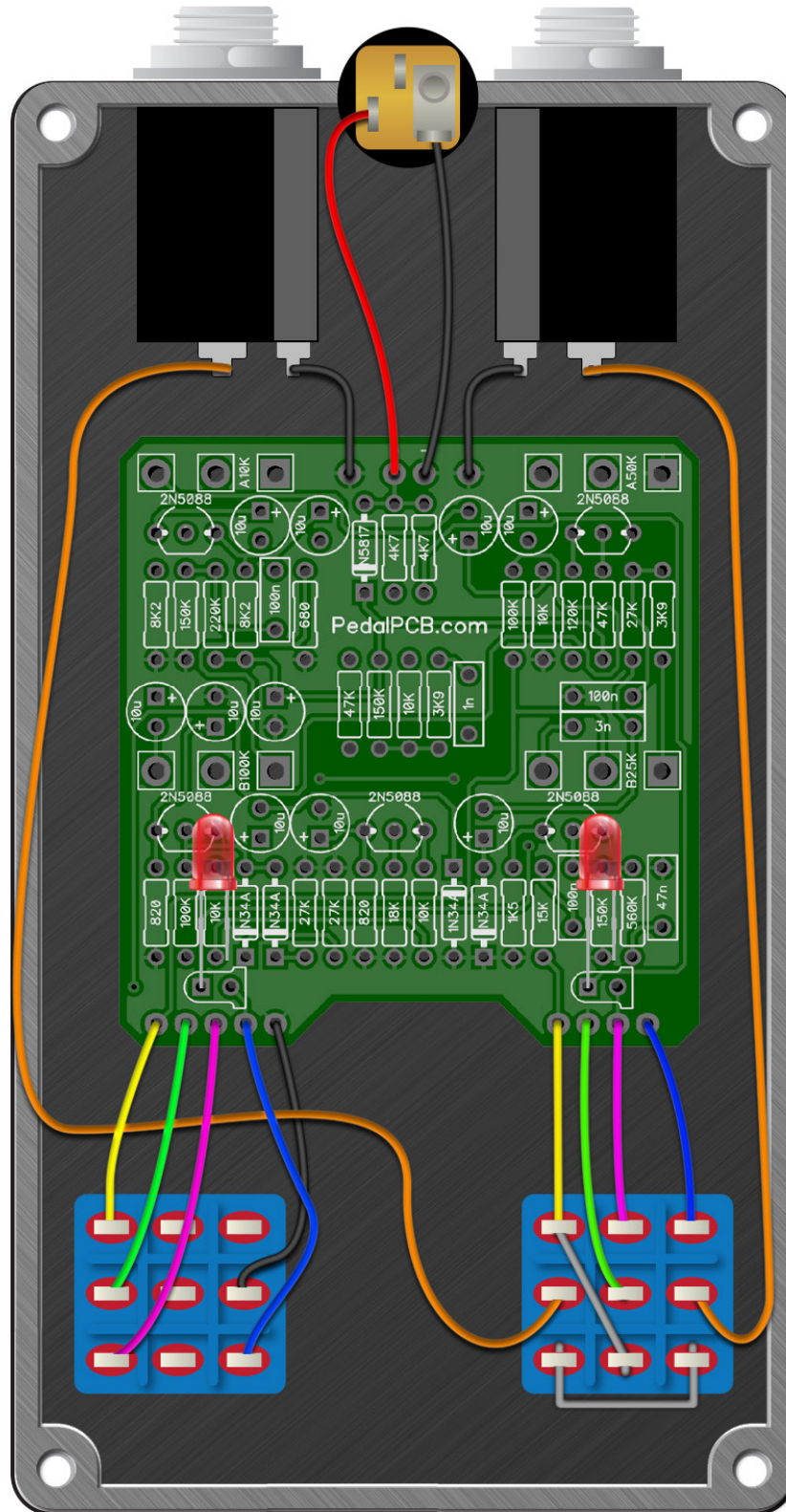
### Potentiometers

SUSTAIN	A10K
TONE	B25K
LEVEL	A50K
BLEND	B100K

# Blender



# Wiring Diagram



# Drill Template

4S125B enclosure with top mounted jacks

