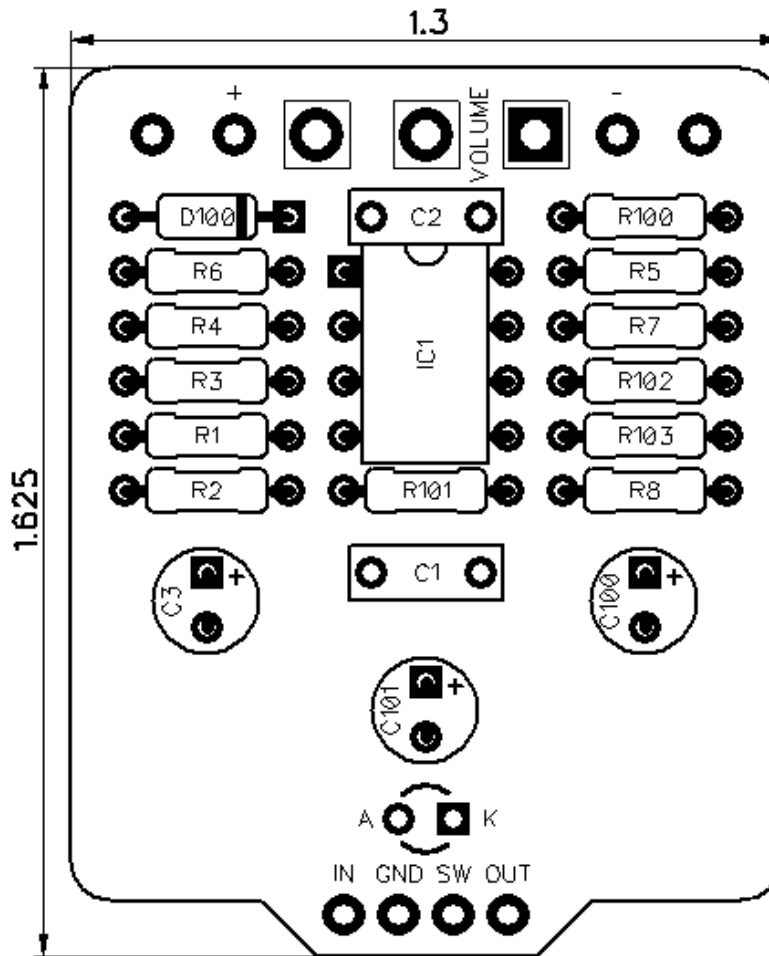




PedalPCB

Black Tiger Boost

Revision 12.06.19



Controls

- Volume

All trademarks and registered trademarks are the property of their respective owners. The company, product, and service names used in this web site are for identification purposes only. Use of these names, logos, and brands does not imply endorsement.

Black Tiger Boost

Parts List

RESISTORS (1/4W)

R1 470K
R2 1K
R3 470K
R4 4K7
R5 1K
R6 1K
R7 1K
R8 100K
R100 100R
R101 4K7
R102 51K
R103 51K

CAPACITORS

C1 100n
C2 100p
C3 10u
C100 47u
C101 10u

INTEGRATED CIRCUITS

IC1 RC4558P

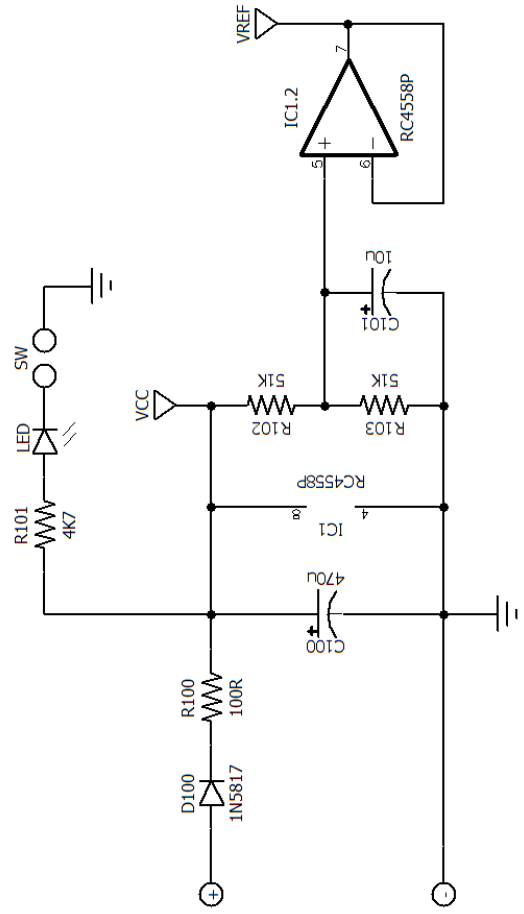
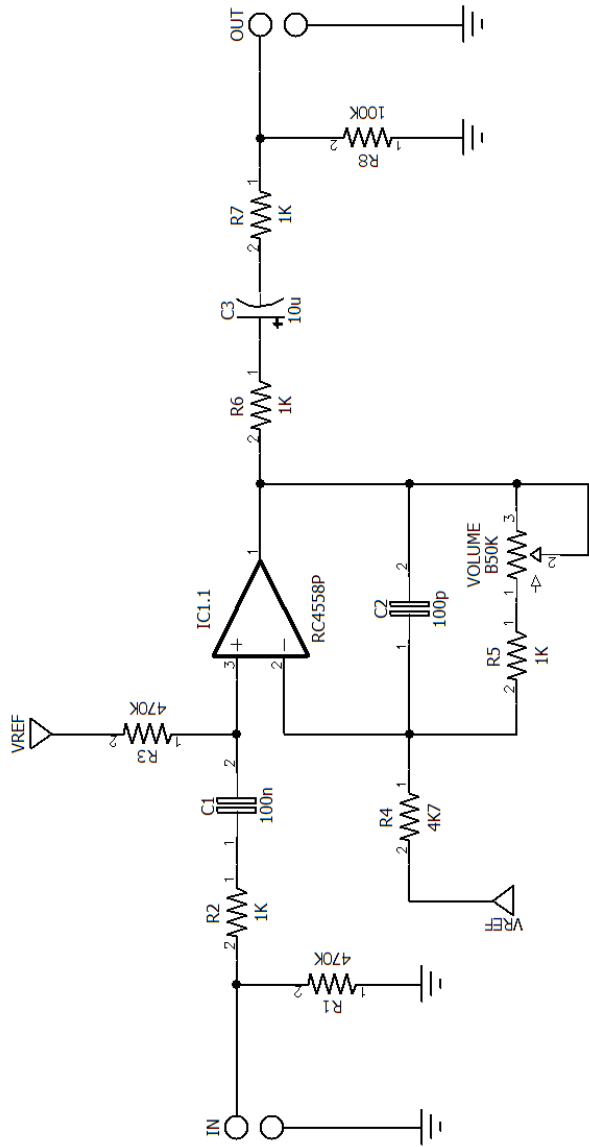
DIODES

D100 1N5817

POTENTIOMETERS

VOLUME B50K

Black Tiger Boost



Black Tiger Boost

Wiring Diagram



Black Tiger Boost

Drill Template
125B enclosure with top mounted jacks

