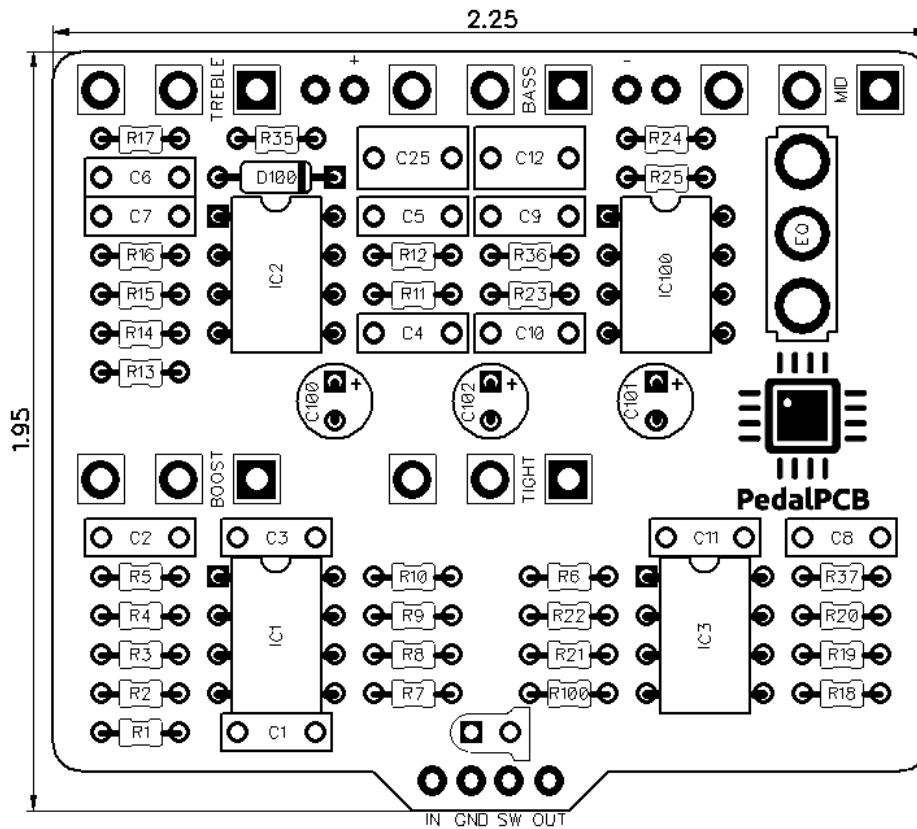


Betty Boost

Revision 11.04.18



Resistors

R1	1M
R2	470K
R3	10K
R4	100K
R5	47K
R6	10K
R7	2K2
R8	100K
R9	47K
R10	10K
R11	4K7
R12	470
R13	100K
R14	47K
R15	2K2
R16	2K2
R17	10K
R18	47K
R19	33K

Resistors

R20	33K
R21	2K2
R22	2K2
R23	22K
R24	100K
R25	2K2
R35	100K
R36	2K2
R37	100K
R100	4K7

Capacitors

C1	22n
C2	120p
C3	22n
C4	120p
C5	220n
C6	4n7
C7	1n
C8	22n
C9	220n
C10	10n
C11	2n2
C12	470n
C25	470n
C100	100u
C101	10u
C102	47u

Semiconductors

IC1	TL072
IC2	TL072
IC3	TL072
IC100	TC1044SCPA
D100	1N5817

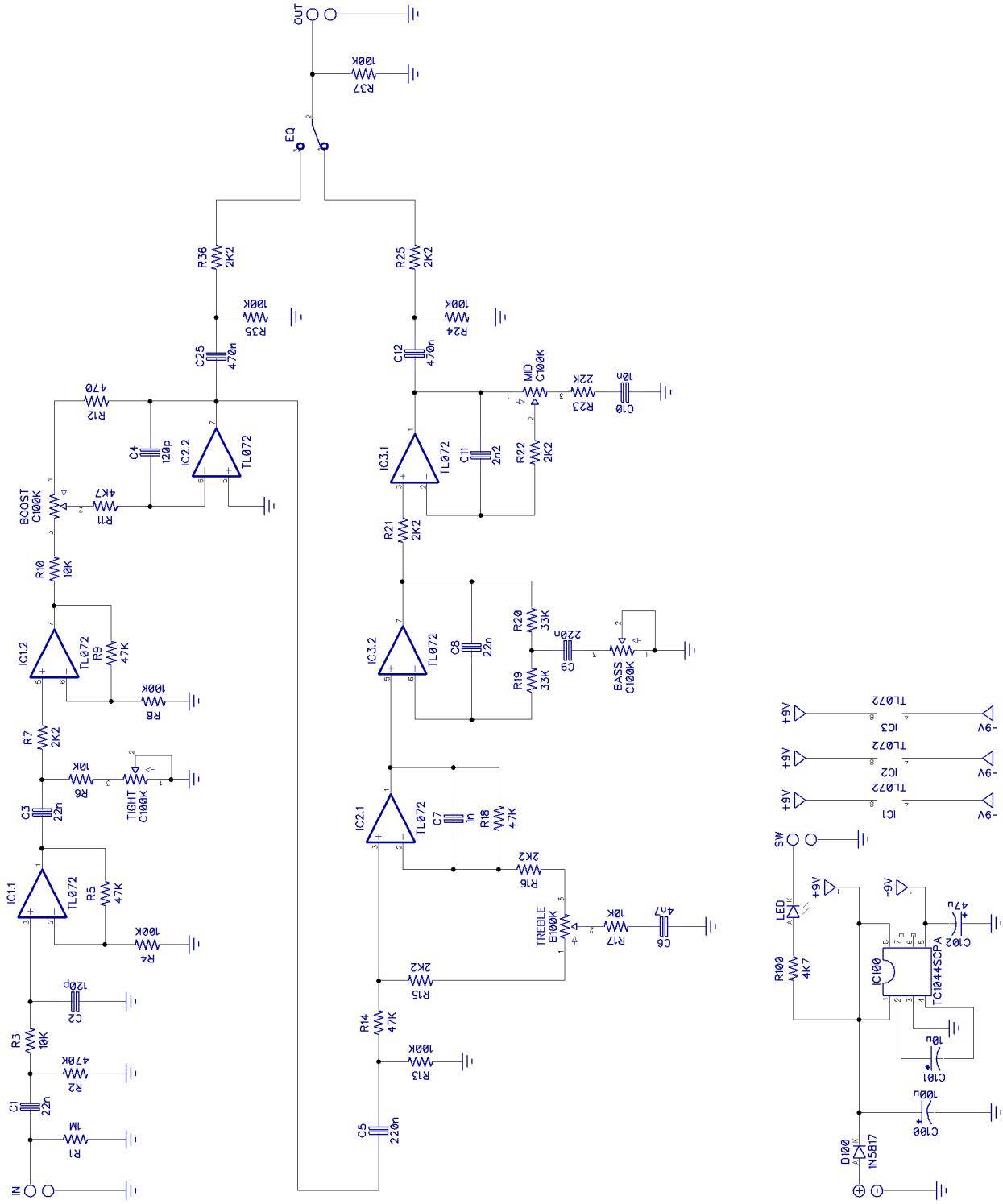
Potentiometers

BOOST	C100K
TIGHT	C100K
TREBLE	B100K
MID	C100K
BASS	C100K

Switches

EQ	SPDT Toggle (ON/ON)
----	---------------------

Betty Boost



Wiring Diagram

