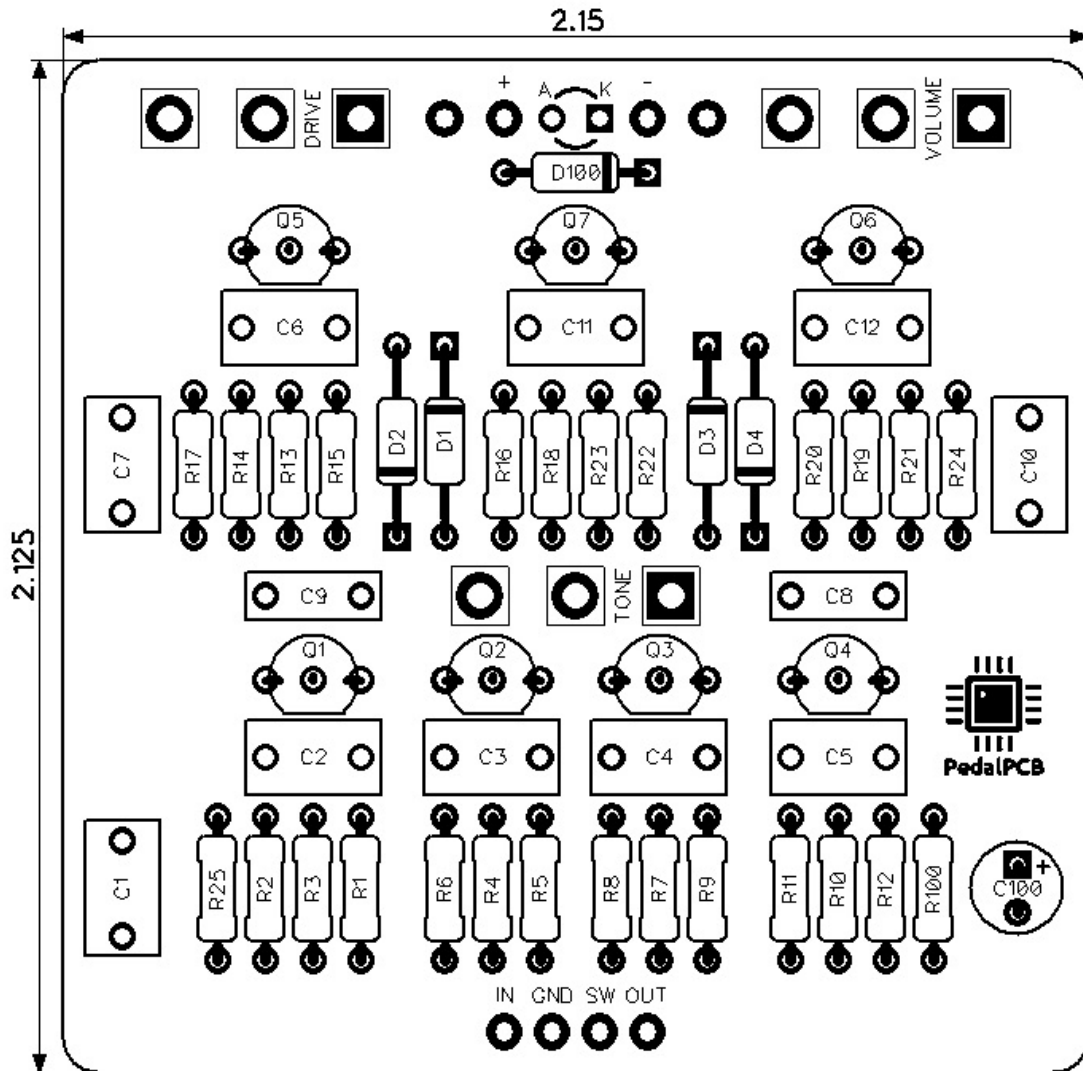


# PedalPCB

## Bellum Fuzz MKI

Revised 7/6/21



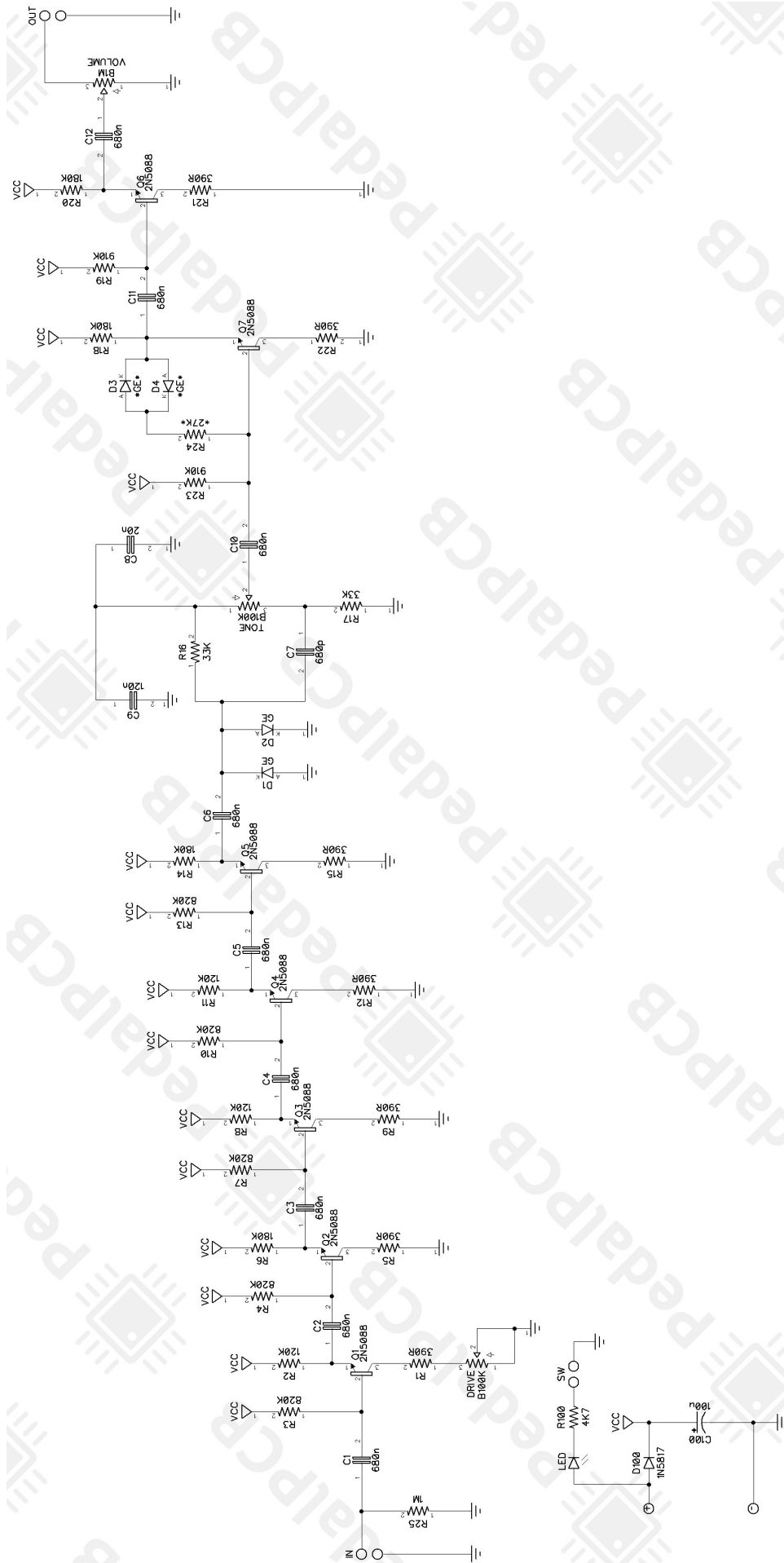
### CONTROLS AND FEATURES

- Volume
- Tone
- Drive

All trademarks and registered trademarks are the property of their respective owners. The company, product, and service names used in this web site are for identification purposes only. Use of these names, logos, and brands does not imply endorsement.

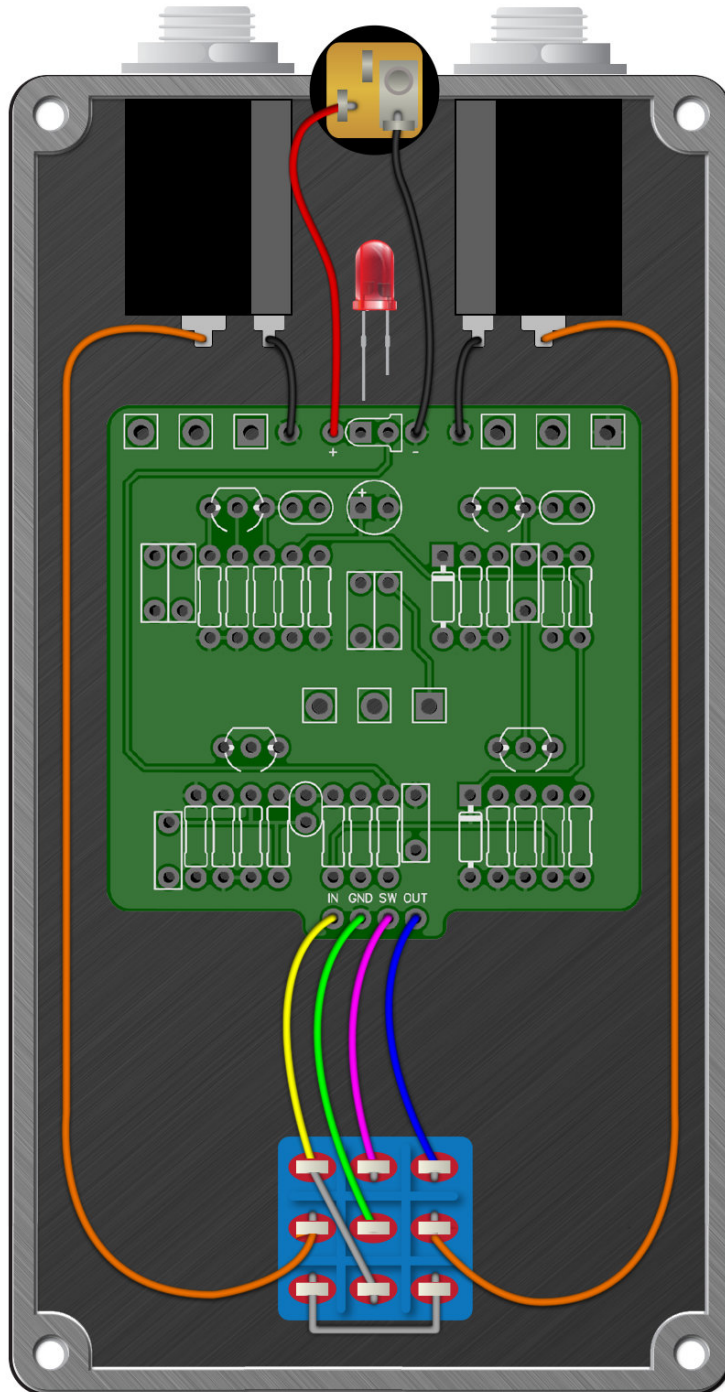
LOCATION	VALUE	TYPE	NOTES
R1	390R	Resistor, 1/4W	
R2	120K	Resistor, 1/4W	
R3	820K	Resistor, 1/4W	
R4	820K	Resistor, 1/4W	
R5	390R	Resistor, 1/4W	
R6	180K	Resistor, 1/4W	
R7	820K	Resistor, 1/4W	
R8	120K	Resistor, 1/4W	
R9	390R	Resistor, 1/4W	
R10	820K	Resistor, 1/4W	
R11	120K	Resistor, 1/4W	
R12	390R	Resistor, 1/4W	
R13	820K	Resistor, 1/4W	
R14	180K	Resistor, 1/4W	
R15	390R	Resistor, 1/4W	
R16	33K	Resistor, 1/4W	
R17	33K	Resistor, 1/4W	
R18	180K	Resistor, 1/4W	
R19	910K	Resistor, 1/4W	
R20	180K	Resistor, 1/4W	
R21	390R	Resistor, 1/4W	
R22	390R	Resistor, 1/4W	
R23	910K	Resistor, 1/4W	
R24	*27K*	Resistor, 1/4W	* Omitted in some units
R25	1M	Resistor, 1/4W	
R100	4K7	Resistor, 1/4W	
C1	680n	Film capacitor, 7.2 x 5.0mm	
C2	680n	Film capacitor, 7.2 x 5.0mm	
C3	680n	Film capacitor, 7.2 x 5.0mm	
C4	680n	Film capacitor, 7.2 x 5.0mm	
C5	680n	Film capacitor, 7.2 x 5.0mm	
C6	680n	Film capacitor, 7.2 x 5.0mm	
C7	680p	Ceramic capacitor	
C8	20n	Film capacitor, 7.2 x 2.5mm	
C9	120n	Film capacitor, 7.2 x 2.5mm	
C10	680n	Film capacitor, 7.2 x 5.0mm	
C11	680n	Film capacitor, 7.2 x 5.0mm	
C12	680n	Film capacitor, 7.2 x 2.5mm	
C100	100u	Electrolytic capacitor, 5mm	
D1	GE	Germanium diode	
D2	GE	Germanium diode	
D3	*GE*	Germanium diode	* Omitted in some units
D4	*GE*	Germanium diode	* Omitted in some units
D100	1N5817	Schottky diode, DO-41	
		- Continued on next page -	





# Bellum Fuzz MKI

Wiring Diagram



# Bellum Fuzz MKI

Drill Template  
125B Enclosure

