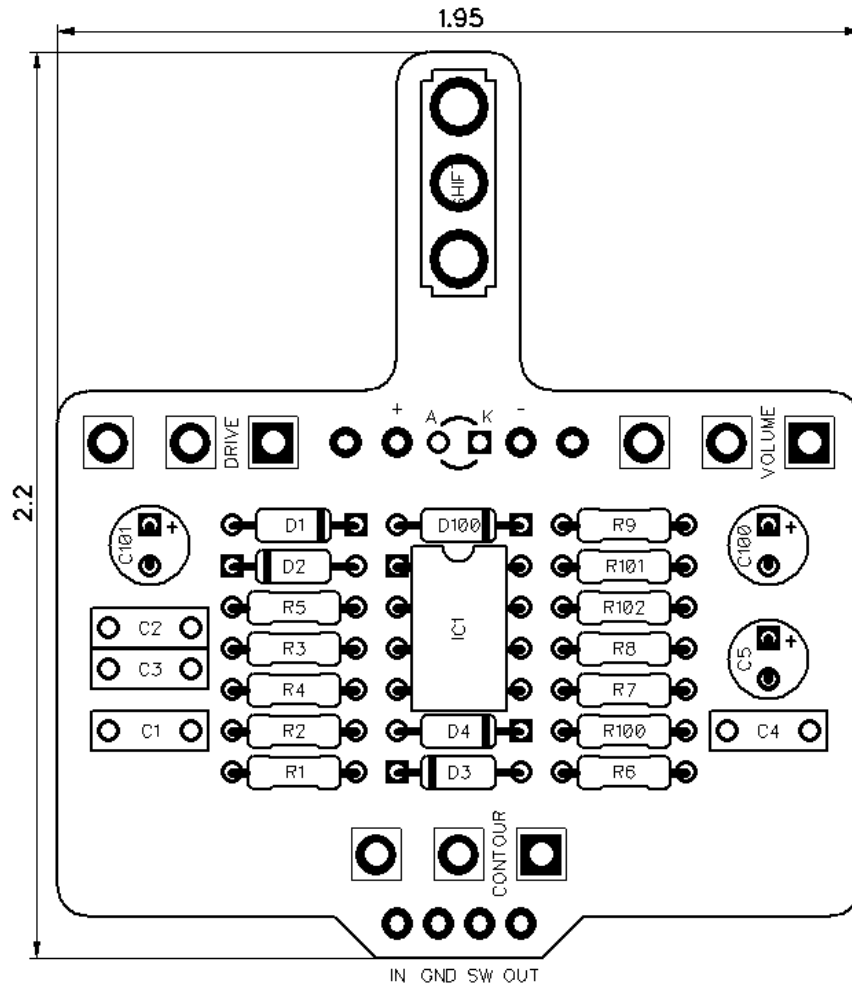


PedalPCB

Bedrock Overdrive

Revision 12.28.19



Controls

- Volume
- Contour
- Drive
- Shift (Toggle switch)

All trademarks and registered trademarks are the property of their respective owners. The company, product, and service names used in this web site are for identification purposes only. Use of these names, logos, and brands does not imply endorsement.

RESISTORS (1/4W)

R1 2M2
R2 3K9
R3 470K
R4 2M2
R5 1K
R6 150K
R7 10K
R8 1K
R9 2M2
R100 4K7
R101 10K
R102 10K

CAPACITORS

C1 470n
C2 47n
C3 100n
C4 3n3
C5 470n
C100 100u
C101 100u

INTEGRATED CIRCUITS

IC1 TL072

DIODES

D1 1N4148
D2 1N4148
D3 1N4148
D4 1N4148
D100 1N5817

POTENTIOMETERS

VOLUME *C150K
CONTOUR *C150K
DRIVE A1M

SWITCHES

SHIFT SPDT On/On

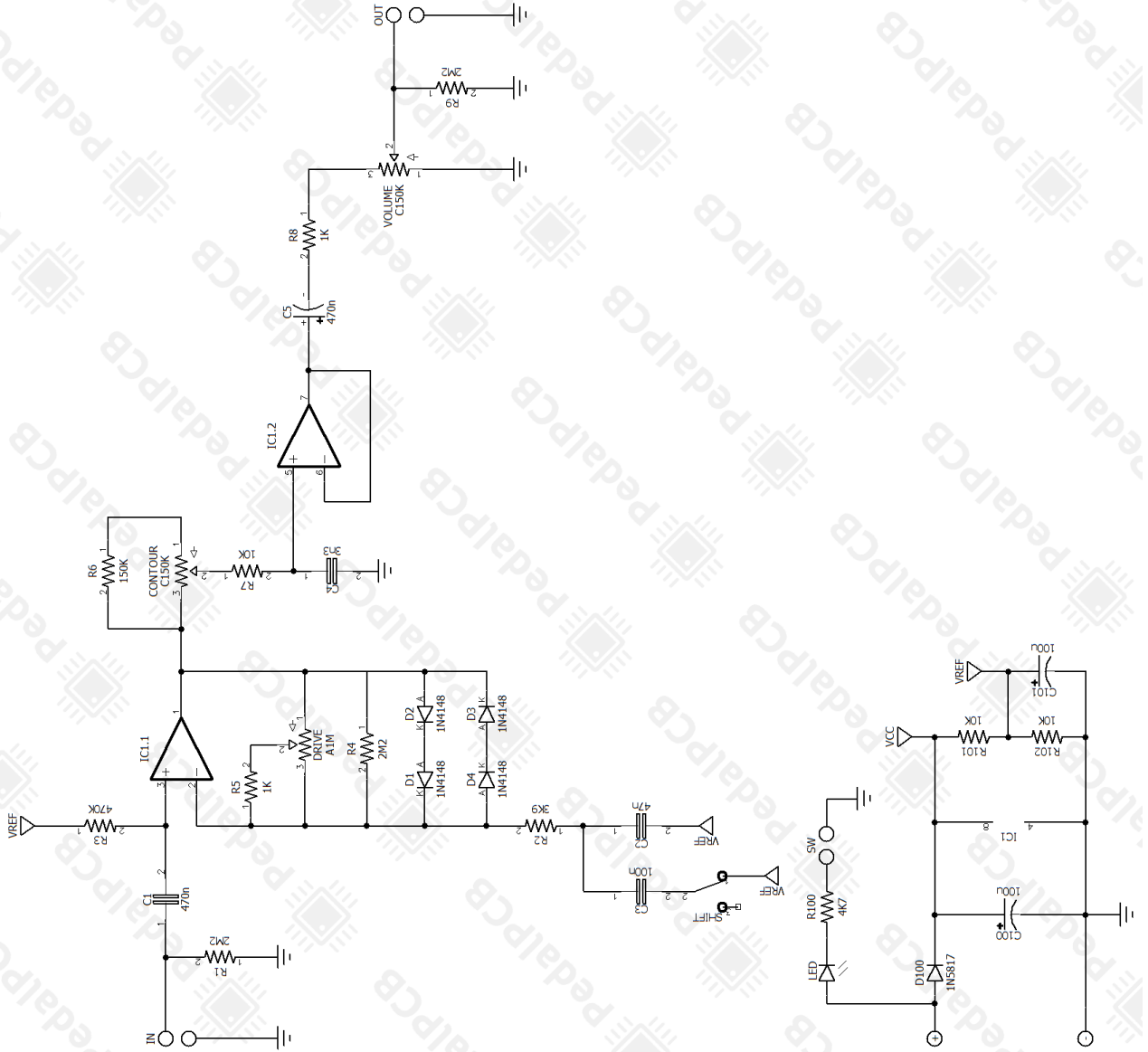
NOTES

C150K is an uncommon potentiometer value and might be hard to source

CONTOUR POT - Omit R6 and use B100K for Contour pot

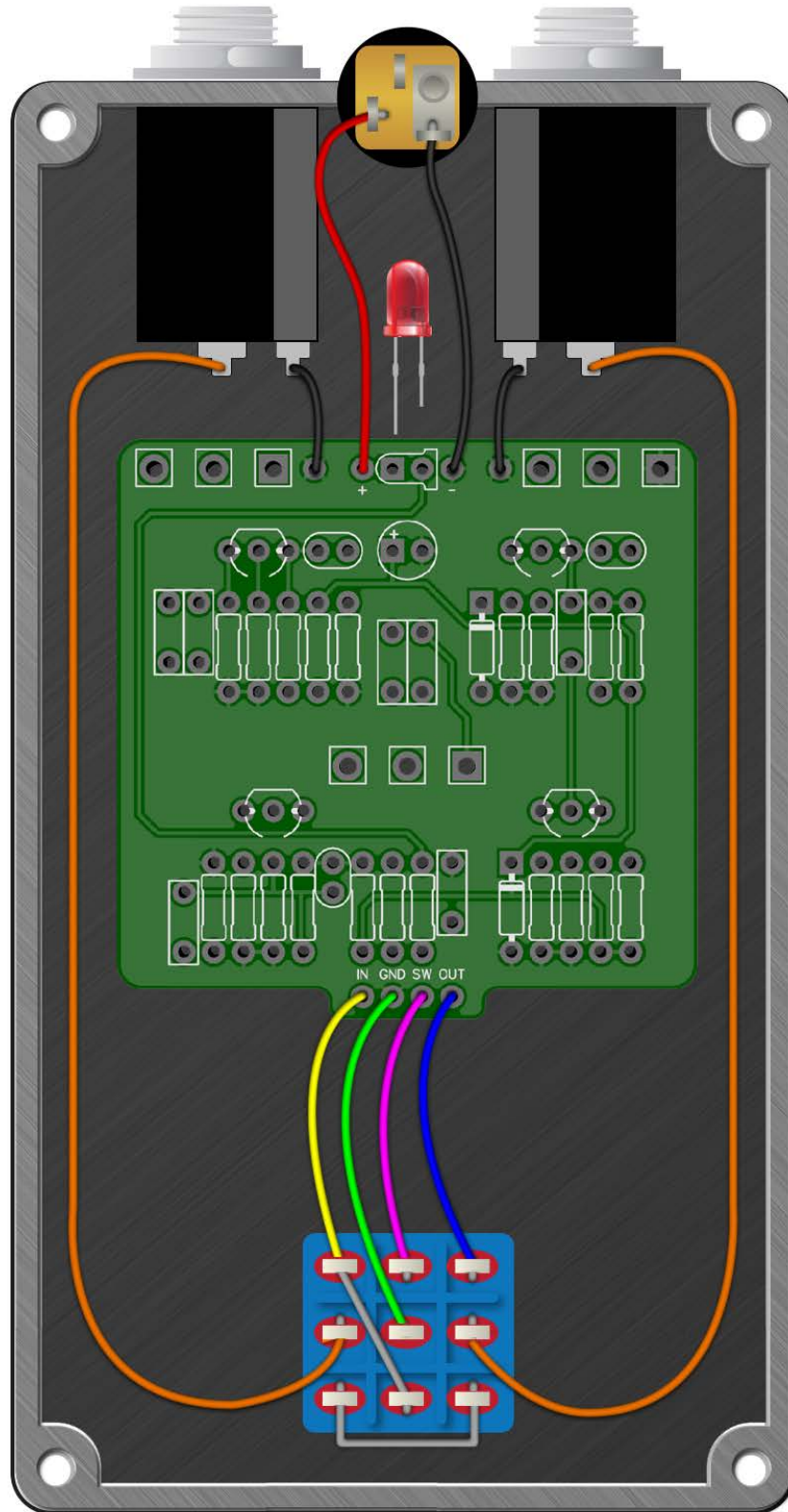
VOLUME POT - A100K is a good substitute for the C150K Volume pot

Bedrock Overdrive



Bedrock Overdrive

Wiring Diagram



Bedrock Overdrive

Drill Template
125B Enclosure

