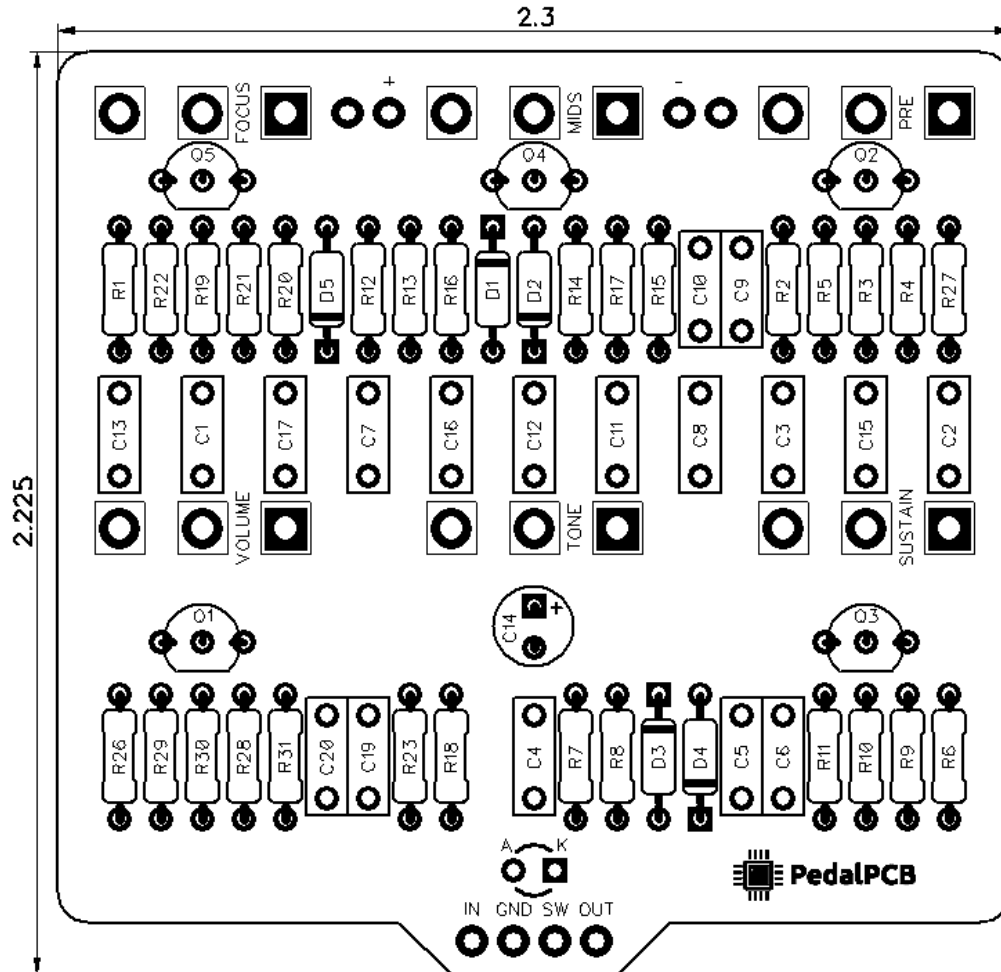




PedalPCB

Bayonet Fuzz

Revision 09.04.20



Controls

- Volume
- Tone
- Sustain
- Focus
- Mids
- Pre

All trademarks and registered trademarks are the property of their respective owners. The company, product, and service names used in this web site are for identification purposes only. Use of these names, logos, and brands does not imply endorsement.

Bayonet Fuzz

Parts List

RESISTORS (1/4W)

R1 12K
R2 100K
R3 470K
R4 12K
R5 100R
R6 1K
R7 10K
R8 100K
R9 470K
R10 12K
R11 390R
R12 10K
R13 100K
R14 470K
R15 12K
R16 390R
R17 10K
R18 56K
R19 100K
R20 470K
R21 10K
R22 2K7
R23 1M
R26 4K7
R27 10K
R28 10K
R29 390R
R30 470K
R31 47K

CAPACITORS

C1 10n
C2 470p
C3 100n
C4 100n
C5 100n
C6 470p
C7 100n
C8 100n
C9 470p
C10 3n3
C11 47n
C12 100n
C13 100n
C14 100u
C15 1u
C16 47n
C17 100n
C19 100n
C20 100n

TRANSISTORS

Q1 2N5089
Q2 2N5089
Q3 2N5089
Q4 2N5089
Q5 2N5089

DIODES

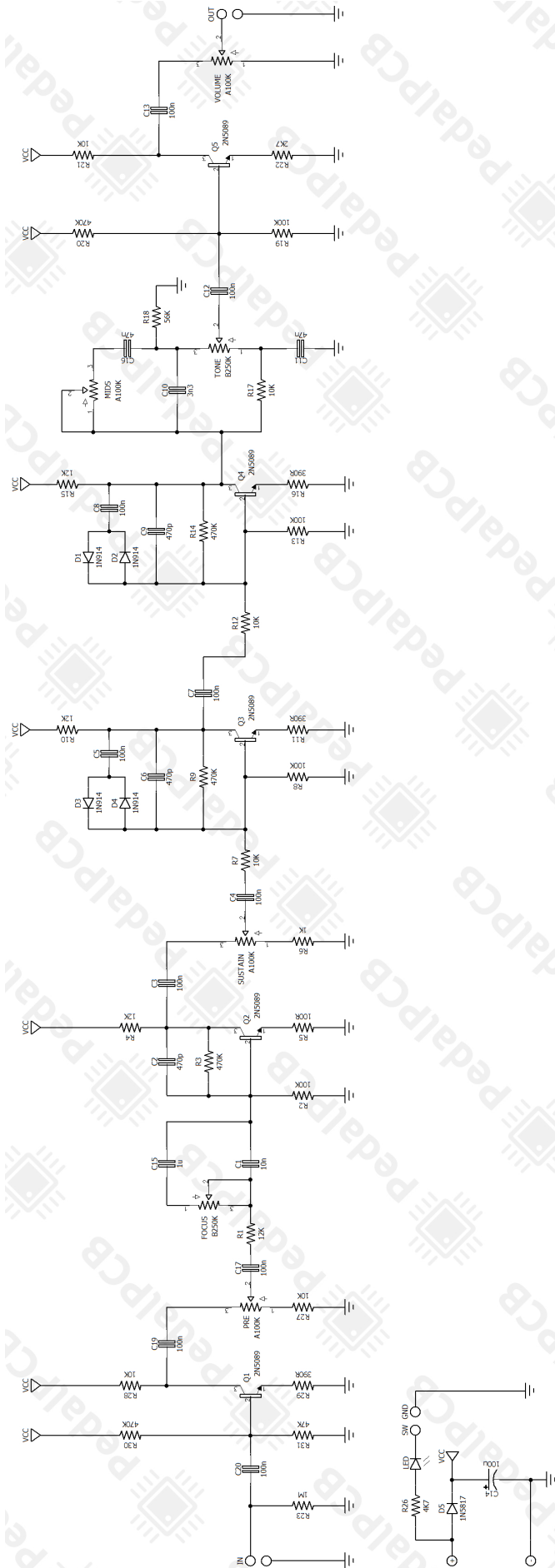
D1 1N914
D2 1N914
D3 1N914
D4 1N914
D5 1N5817

POTENTIOMETERS

VOLUME A100K
TONE B250K
SUSTAIN A100K
FOCUS B250K
MIDS A100K
PRE A100K



Bayonet Fuzz



Bayonet Fuzz

Wiring Diagram



Bayonet Fuzz

Drill Template
125B enclosure with top mounted jacks

