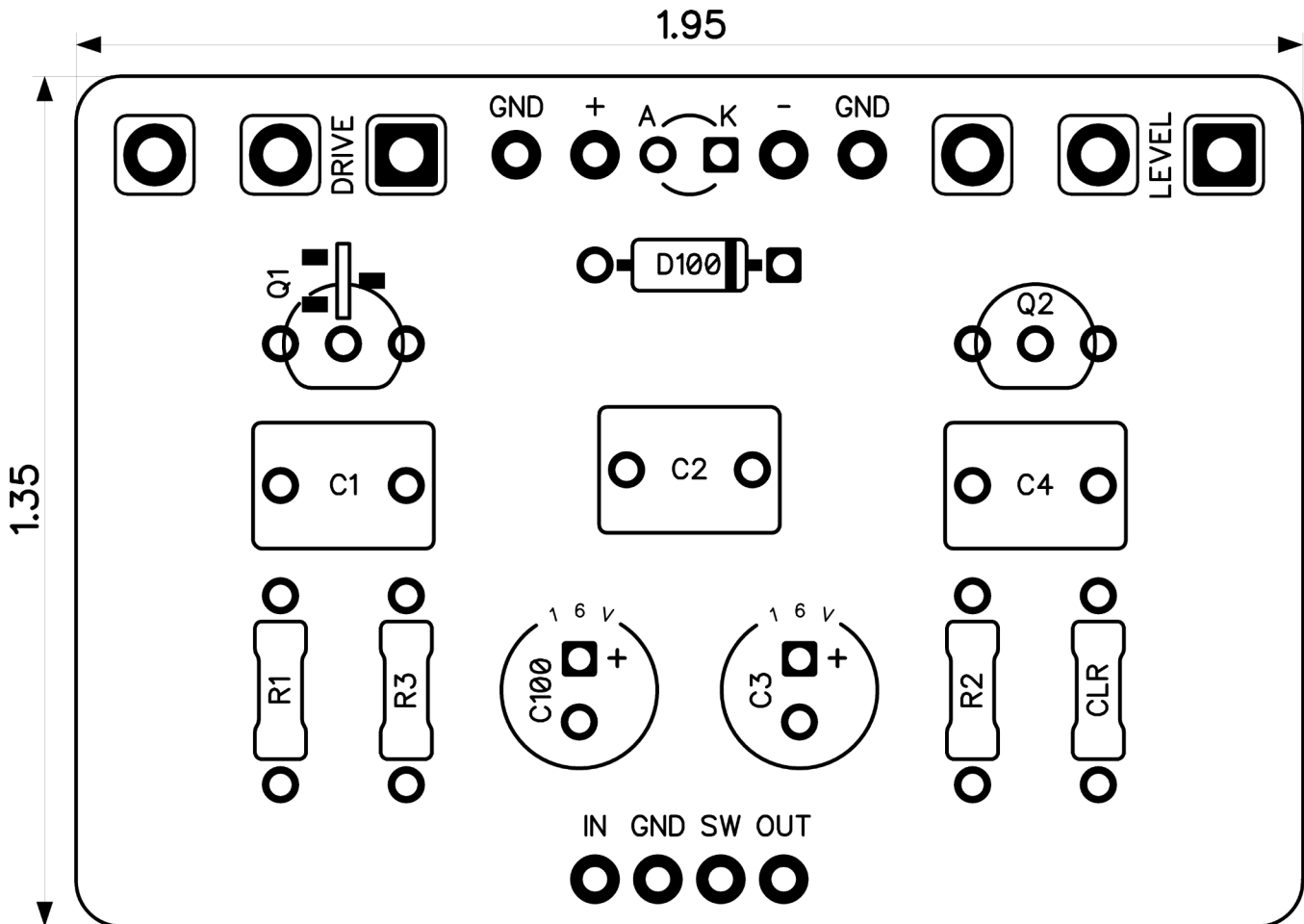




# PedalPCB

## Barrage Fuzz

Revised 5/7/23



### CONTROLS AND FEATURES

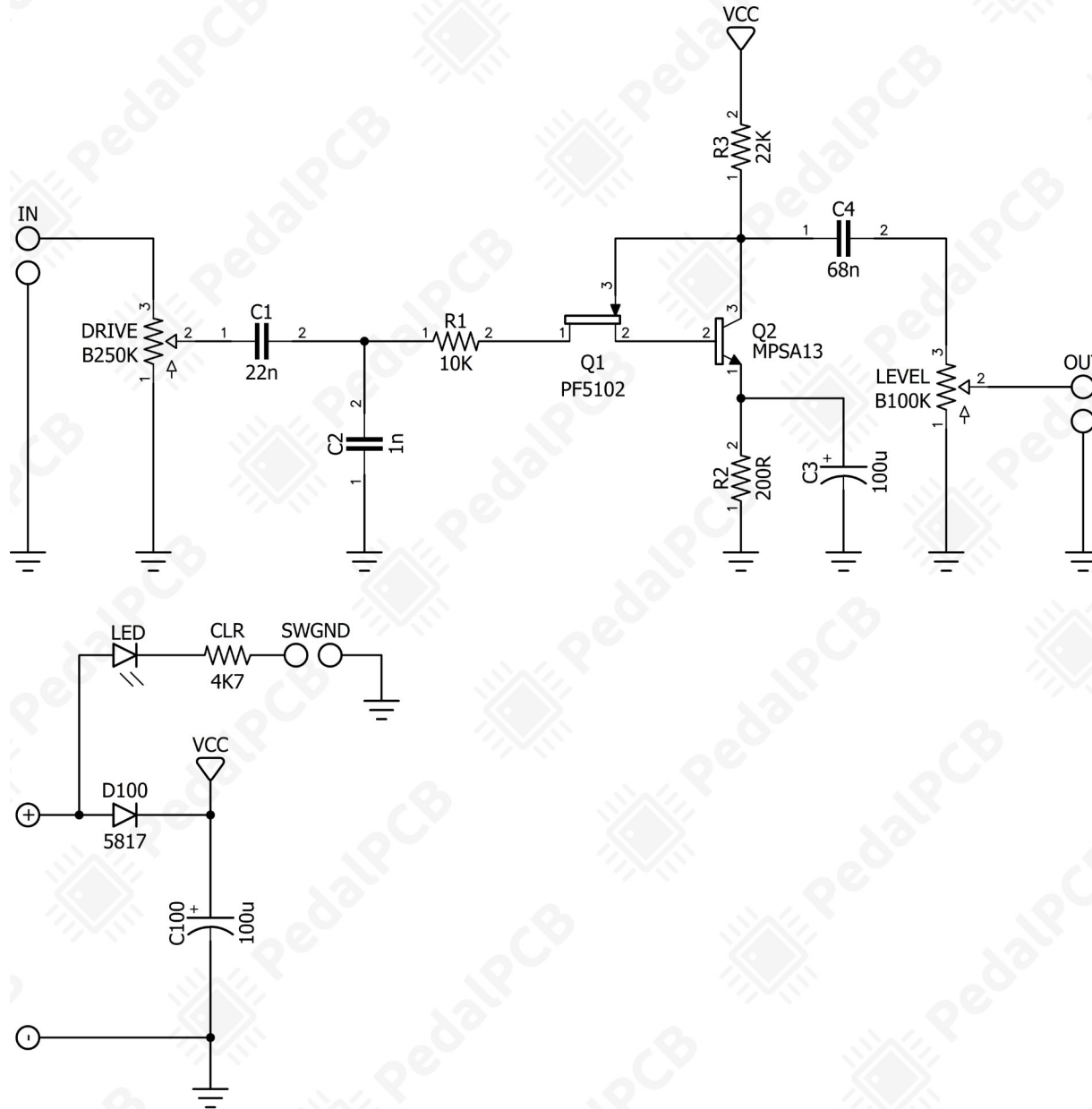
- Level
- Drive

All trademarks and registered trademarks are the property of their respective owners. The company, product, and service names used in this web site are for identification purposes only. Use of these names, logos, and brands does not imply endorsement.



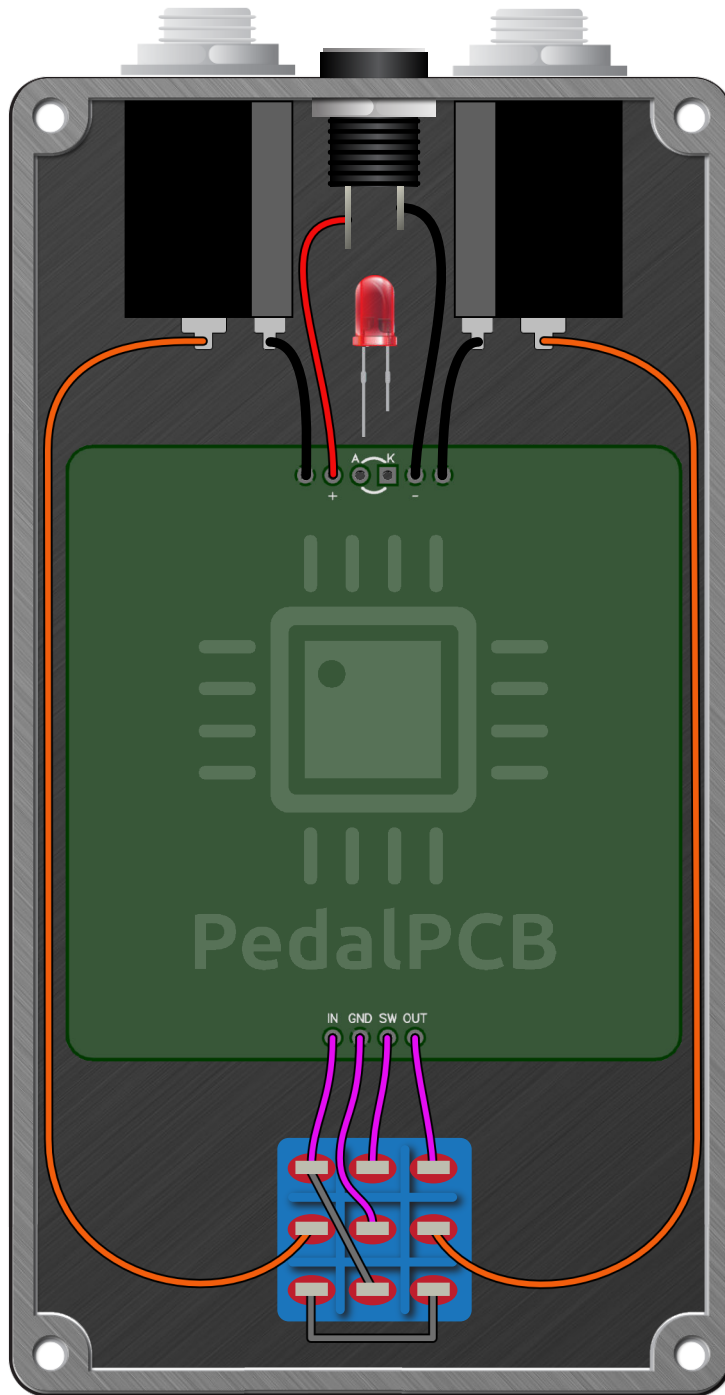
# Barrage Fuzz

Schematic Diagram



# Barrage Fuzz

Wiring Diagram



# Barrage Fuzz

Drill Template  
125B Enclosure

